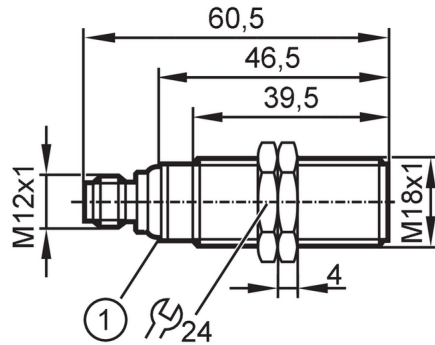


UGT212



Ultrasonic sensor

UGC00300EOKG/IO-Link/US



1 LEDs



Product characteristics

Electrical design	PNP
Output function	normally open / closed; (configurable)
Sensing range [mm]	40...300; (Target: 200 x 200 mm)
Communication interface	IO-Link
Housing	Threaded type
Dimensions [mm]	M18 x 1 / L = 60.5

Electrical data

Operating voltage [V]	10...30 DC; (cULus - Class 2 source required)
Current consumption [mA]	< 35
Protection class	III
Reverse polarity protection	yes
Power-on delay time [s]	< 0.3
Converter frequency [kHz]	300

Inputs / outputs

Number of inputs and outputs	Number of digital outputs: 1
------------------------------	------------------------------

Inputs

Synchronization input	no
Multiplex input	no

Outputs

Total number of outputs	1
Electrical design	PNP
Number of digital outputs	1
Output function	normally open / closed; (configurable)
Max. voltage drop switching output DC [V]	2.2
Permanent current rating of switching output DC [mA]	100
Switching frequency DC [Hz]	8
Short-circuit protection	yes
Overload protection	yes

UGT212



Ultrasonic sensor

UGC00300EOKG/IO-Link/US

Monitoring range									
Sensing range [mm]	40...300; (Target: 200 x 200 mm)								
Blind zone [mm]	40								
Angle of aperture cylindrical [°]	15; (±2)								
Max. deviation from the 90° angle sensor/object [°]	± 4								
Accuracy / deviations									
Temperature compensation	yes								
Hysteresis [%]	< 1								
Switch-point drift [%]	-2...2								
Repeatability	<0,7 %								
Resolution [mm]	1								
Notes on the accuracy / deviation	The indicated values are reached after a warm-up time of min. 20 minutes								
Software / programming									
Parameter setting options	hysteresis / window; second switch point; Switch-on and switch-off delay; switch-on operations; Teach function; light-on/dark-on mode								
Interfaces									
Communication interface	IO-Link								
Transmission type	COM2 (38,4 kBaud)								
IO-Link revision	1.1								
SDCI standard	IEC 61131-9								
Profiles	Smart Sensor - SSP 0 Generic Profiled Sensor								
	Function Device identification								
	Function Multiple switching signal								
	Function Process data variable								
	Function Device diagnosis								
	Function Teach channel								
SIO mode	yes								
Required master port class	A								
Min. process cycle time [ms]	3.2								
IO-Link process data (cyclical)	<table border="1"> <thead> <tr> <th>Function</th> <th>bit length</th> </tr> </thead> <tbody> <tr> <td>process value</td> <td>16</td> </tr> <tr> <td>device status</td> <td>4</td> </tr> <tr> <td>binary switching information</td> <td>2</td> </tr> </tbody> </table>	Function	bit length	process value	16	device status	4	binary switching information	2
Function	bit length								
process value	16								
device status	4								
binary switching information	2								
IO-Link functions (acyclical)	application specific tag; operating hours counter								
Supported DeviceIDs	<table border="1"> <thead> <tr> <th>Type of operation</th> <th>DeviceID</th> </tr> </thead> <tbody> <tr> <td>default</td> <td>889</td> </tr> </tbody> </table>	Type of operation	DeviceID	default	889				
Type of operation	DeviceID								
default	889								
Note	For further information please see the IODD PDF file at "Downloads"								
Operating conditions									
Ambient temperature [°C]	-20...70								
Storage temperature [°C]	-30...80								
Protection	IP 67								

UGT212



Ultrasonic sensor

UGC00300EOKG/IO-Link/US

Tests / approvals		
EMC	EN 61000-4-2 ESD	4 kV CD / 8 kV AD
	EN 61000-4-3 HF radiated	3 V/m
	EN 61000-4-4 Burst	2 kV
	EN 61000-4-6 HF conducted	3 V
	EN 55011	class A
Vibration resistance	EN 60068-2-6 Fc	(10-55) Hz 1 mm amplitude, vibration duration 5 min., 30 min. per axis with resonance or 55 Hz
Shock resistance	EN 60068-2-27 Ea	30 g 11 ms half-sine; 3 shocks each in every direction of the 3 coordinate axes
MTTF [years]		202
UL approval	Ta	-20...70 °C
	voltage supply	Class 2
	File number UL	E174191

Mechanical data		
Weight [g]		57
Housing		Threaded type
Dimensions [mm]		M18 x 1 / L = 60.5
Thread designation		M18 x 1
Material		PBT; PA; epoxy glass ceramics
Tightening torque [Nm]		1

Displays / operating elements		
Display	Switching status	1 x LED, yellow
	echo	1 x LED, green

Accessories		
Items supplied		lock nuts: 2 x M18, plastics
		rubber washers: 2

Remarks		
Remarks		cULus - Class 2 source required
Pack quantity		1 pcs.

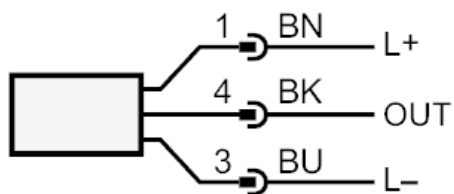
Electrical connection		
Connector: 1 x M12; coding: A		
		



Ultrasonic sensor

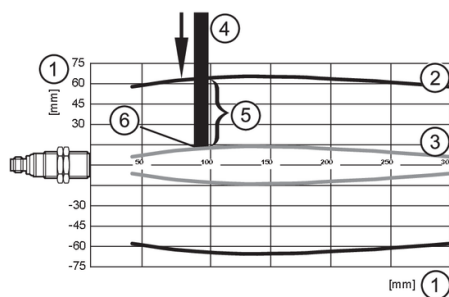
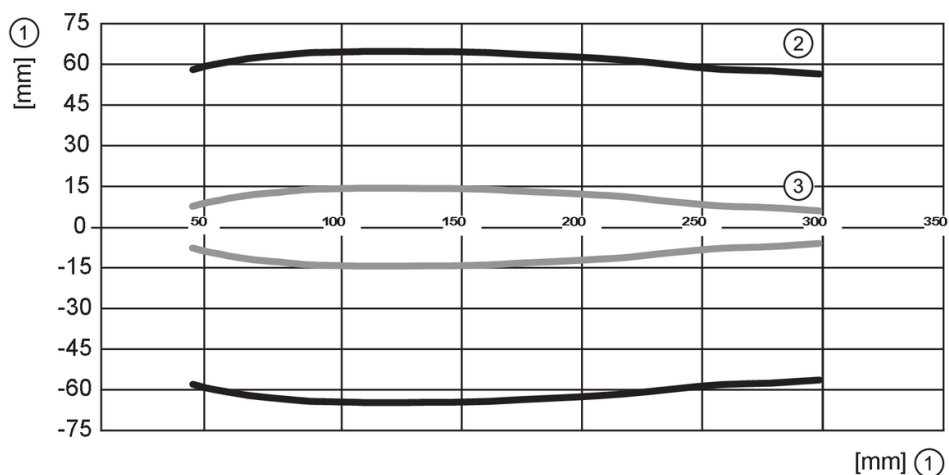
UGC00300EOKG/IO-Link/US

Connection



OUT: Switching output / IO-Link

Diagrams and graphs



- 1: Distance
- 2: Monitoring range
- 3: switch-on/switch-off graph
- 4: Target 100 x 100 mm
- 5: 50 % of the target in the detection zone
- 6: Set point