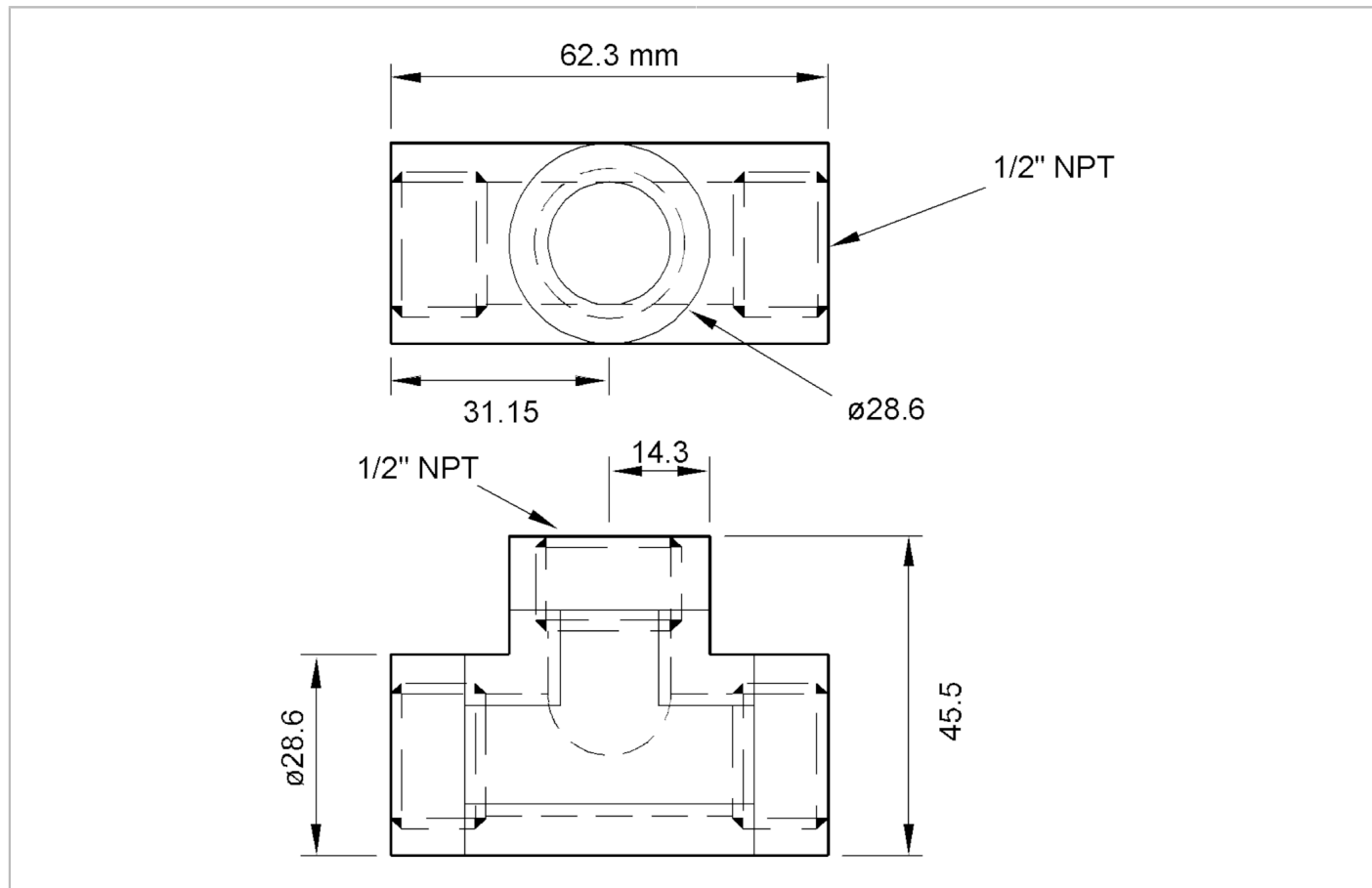


# U40030



## T-piece

TEE, 1/2" NPT SS



Application		
Pressure rating	207 bar	20.7 MPa
Mechanical data		
Weight	[g]	226.796
Materials (wetted parts)	housing: stainless steel (1.4401 / 316)	
Remarks		
Pack quantity	1 pcs.	