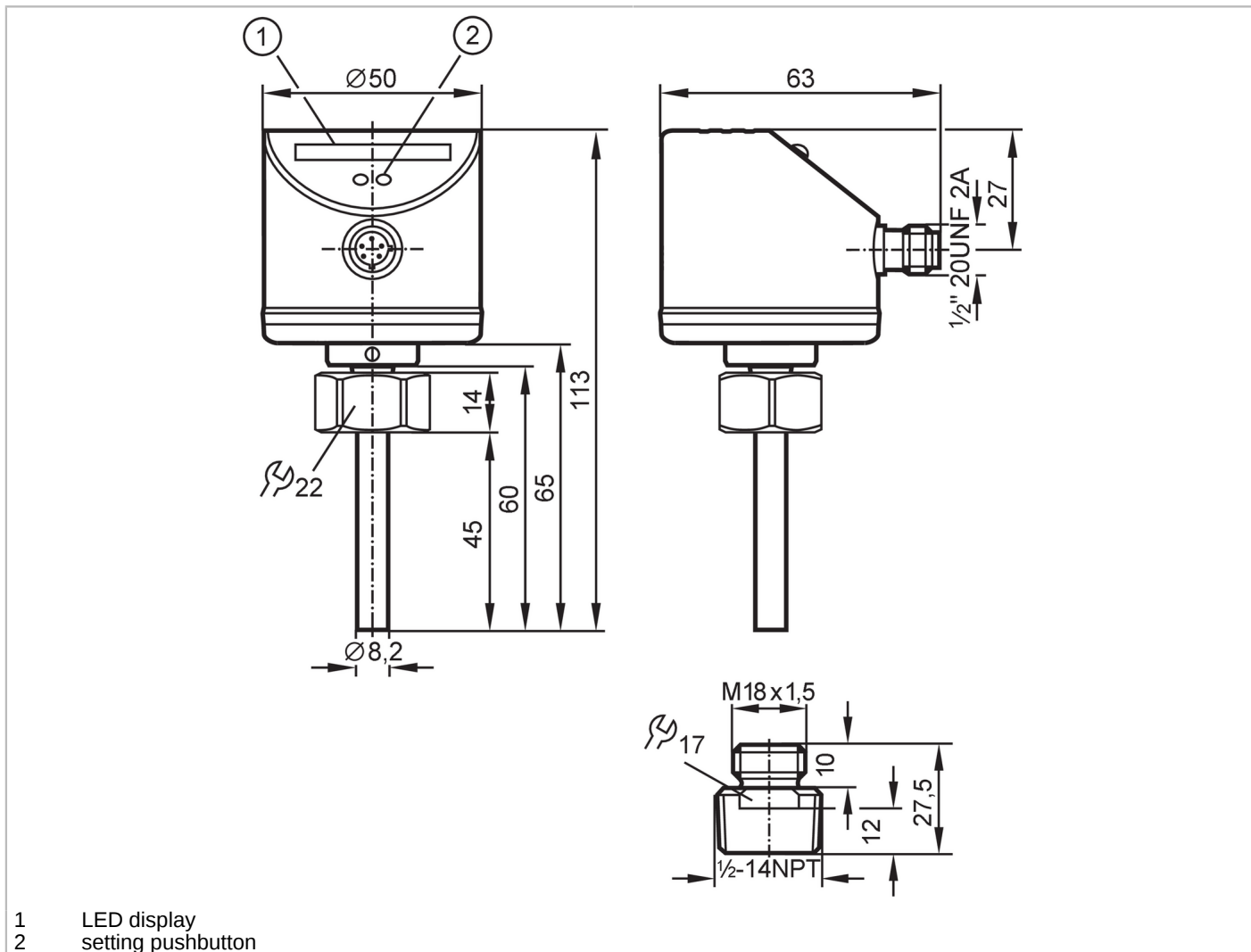


# U25222



## Flow monitor

KIT, SI5006 W/E40107



- 1 LED display
- 2 setting pushbutton

Product characteristics	
Number of inputs and outputs	Number of digital outputs: 1
Process connection	threaded connection 1/2" NPT external thread
Application	
Media	Liquids; Gases
Medium temperature [°C]	-25...80
Pressure rating	300 bar 30 MPa
Liquids	
Medium temperature [°C]	-25...80
Gases	
Medium temperature [°C]	-25...80
Electrical data	
Operating voltage tolerance [%]	-5...10
Operating voltage [V]	85...265 AC
Nominal voltage AC [V]	< 240
Protection class	II
Reverse polarity protection	no

# U25222



## Flow monitor

KIT, SI5006 W/E40107


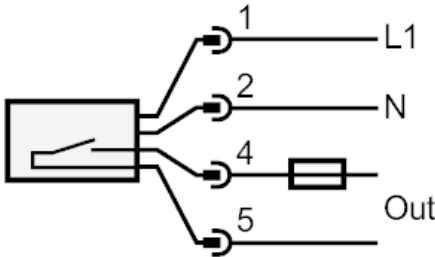
Power-on delay time	[s]	10
<b>Inputs / outputs</b>		
Number of inputs and outputs		Number of digital outputs: 1
<b>Outputs</b>		
Total number of outputs		1
Output signal		switching signal
Electrical design		Relay
Number of digital outputs		1
Output function		normally open / closed; (configurable)
Contact rating		3 A (250 V AC / 30 V DC); (number of switching cycles: 20 million mechanically; switching cycles at 3 A load: 100,000 electrical; type of switch-off: normally open)
Short-circuit proof		no
Overload protection		no
<b>Measuring/setting range</b>		
Liquids		
Setting range	[cm/s]	3...300
Greatest sensitivity	[cm/s]	3...100
Gases		
Setting range	[cm/s]	200...3000
Greatest sensitivity	[cm/s]	200...800
<b>Accuracy / deviations</b>		
Repeatability	[cm/s]	1...5
Note on repeatability		for water 5...100 cm/s; 25 °C Factory setting
Temperature drift	[cm/s x 1/K]	0.1; (for water 5...100 cm/s; 10...70 °C)
Max. temperature gradient of medium	[K/min]	300
Switch point accuracy	[cm/s]	± 2...± 10; (for water 5...100 cm/s; 25 °C; Factory setting)
Hysteresis	[cm/s]	2...5; (for water 5...100 cm/s; 25 °C; Factory setting)
<b>Reaction times</b>		
Response time	[s]	1...10
Liquids		
Response time	[s]	1...10
Gases		
Response time	[s]	1...10
<b>Software / programming</b>		
Adjustment of the switch point		pushbuttons
<b>Operating conditions</b>		
Ambient temperature	[°C]	-25...80
Protection		IP 67

# U25222



## Flow monitor

KIT, SI5006 W/E40107

Tests / approvals		
EMC	EN 61000-4-2 ESD	4 kV CD / 8 kV AD
	EN 61000-4-3 HF radiated	10 V/m
	EN 61000-4-4 Burst	2 kV
	EN 61000-4-6 HF conducted	10 V
Shock resistance	DIN IEC 68-2-27	50 g (11 ms)
Vibration resistance	DIN EN 60068-2-6	20 g (55...2000 Hz)
Mechanical data		
Weight [g]		272.155
Housing		tubular
Dimensions [mm]		Ø 50 / L = 113
Material		stainless steel (1.4301 / 304); PC; PBT-GF20; EPDM/X
Materials (wetted parts)		stainless steel (1.4404 / 316L); O-ring: FPM 8 x 1,5 gr 80° Shore A
Process connection		threaded connection 1/2" NPT external thread
Probe diameter [mm]		8.2
Installation length EL [mm]		27.5
Displays / operating elements		
Display	Function	10 x LED, three-color
Electrical connection		
Required protection		miniature fuse to IEC60127-2 sheet 1; ≤ 5 A; fast acting
Accessories		
Items supplied		Adapter: 1 x 1/2-14NPT, E40107
Remarks		
Remarks		Recommendation Check the safe functioning of the unit after a short circuit.
Pack quantity		1 pcs.
Electrical connection		
Connector: 1 x 1/2"; coding: C		
		
Connection		
		
Note miniature fuse to IEC60127-2 sheet 1 ≤ 5 A fast acting		