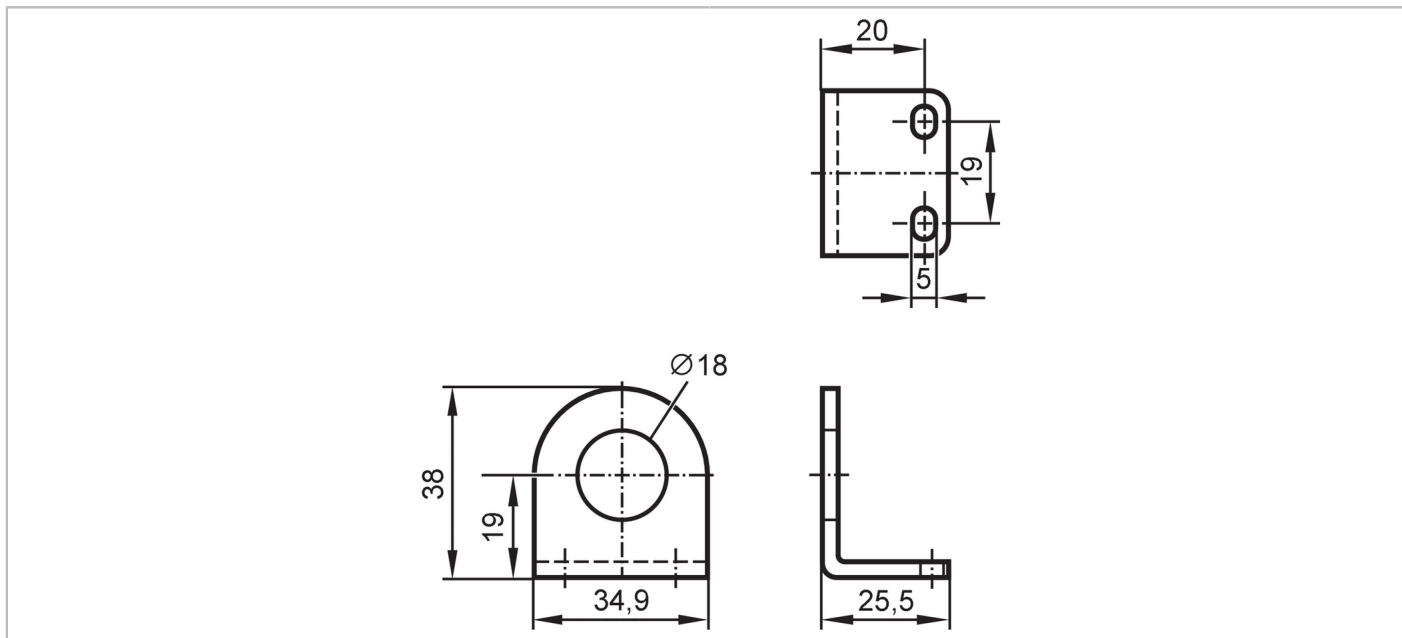


# U20302



## Angle bracket

BRKT, M18, ANGLE



Application	
Design	for types M18
Mechanical data	
Weight [g]	36.3
Dimensions [mm]	M18 x 1
Thread designation	M18 x 1
Material	stainless steel (1.4301 / 304)
Remarks	
Pack quantity	1 pcs.