

# U10082



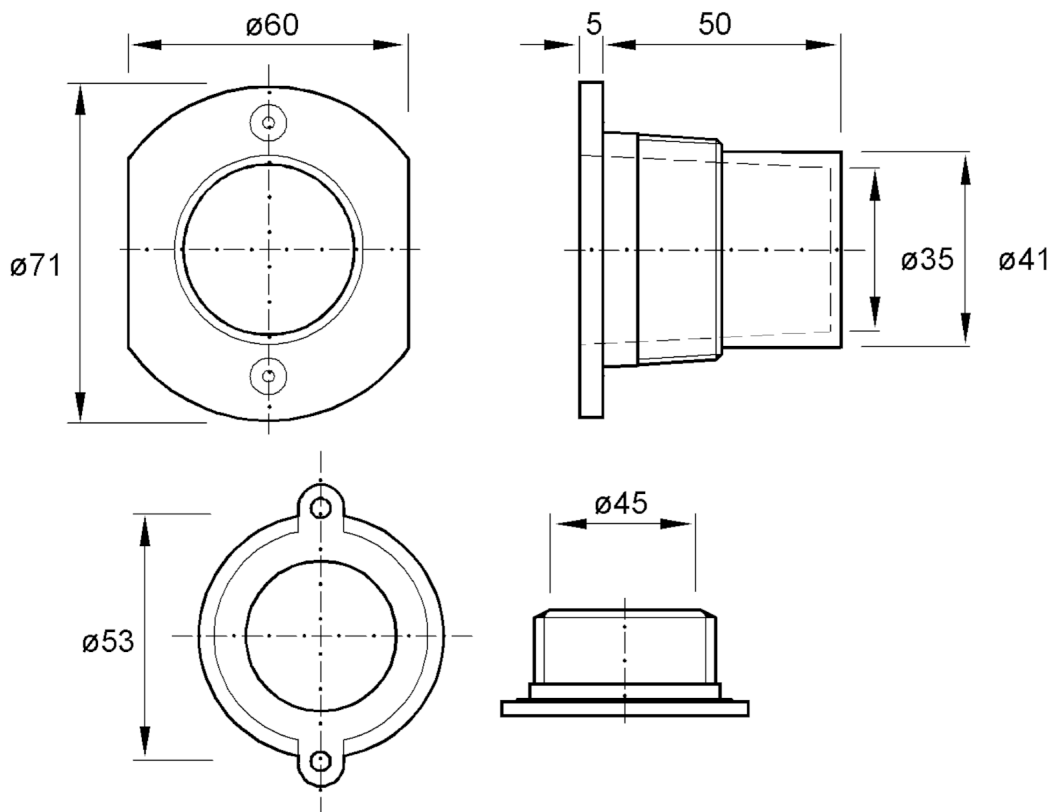
## Mounting adapter for capacitive sensors

WELL, 30MM, 1-1/2" NPT

Article to be discontinued

Alternative articles: E19929

When selecting an alternative article and accessories please note that technical data may differ!



### Application

Design	for types M30	
Pressure rating	6.9 bar	0.69 MPa

### Operating conditions

Ambient temperature	[°C]	-25...70
---------------------	------	----------

### Mechanical data

Weight	[g]	22.68
Material	HDPE	
Process connection	1 1/2" NPT	

### Remarks

Pack quantity	1 pcs.
---------------	--------