

U10003



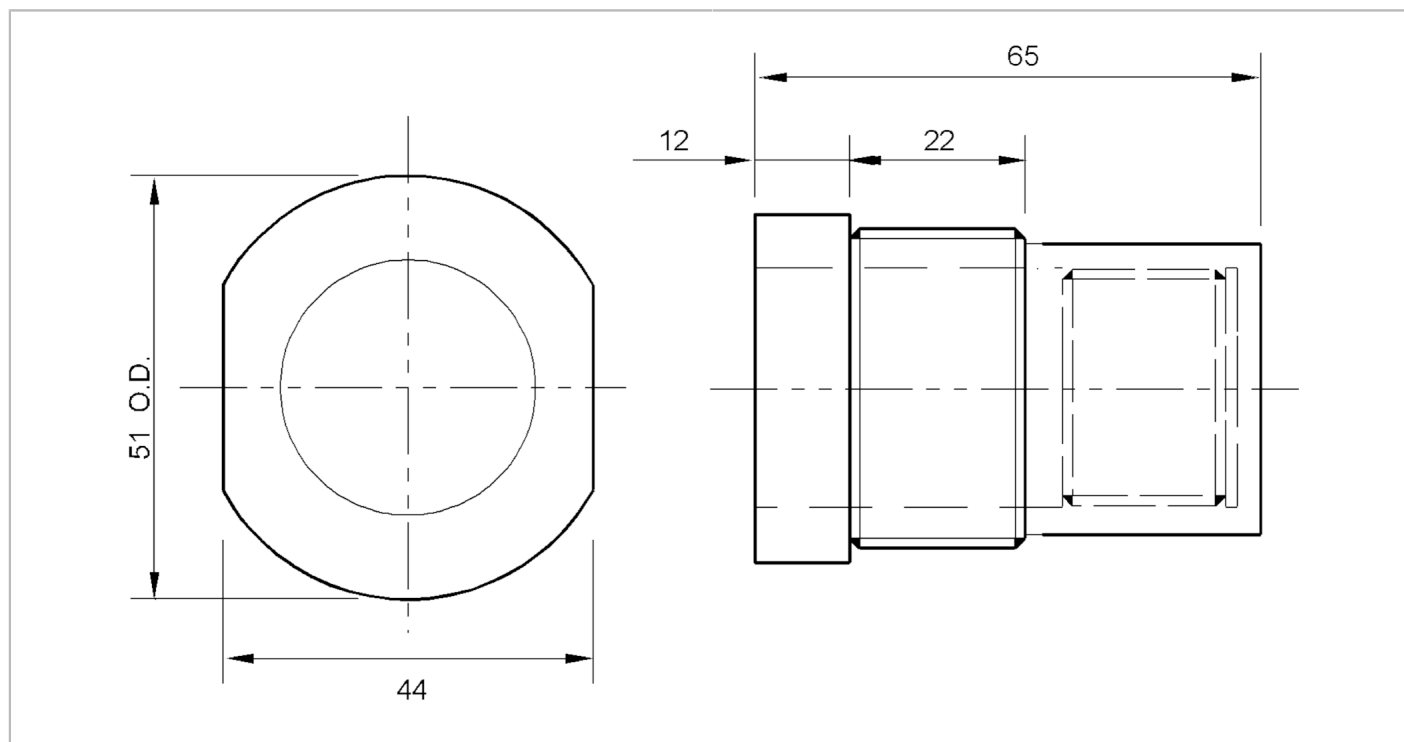
Mounting adapter for capacitive sensors

WELL, M30, 1-1/4" NPT, PTFE

Article to be discontinued

Alternative articles: E19930

When selecting an alternative article and accessories please note that technical data may differ!



Application		
Design		for types M30
Pressure rating	6.9 bar	0.69 MPa
Operating conditions		
Ambient temperature	[°C]	-25...246
Note on ambient temperature		-25...260 for short duration
Mechanical data		
Weight	[g]	90.718
Material		PTFE
Process connection		1 1/4" NPT
Remarks		
Pack quantity		1 pcs.