

U10000



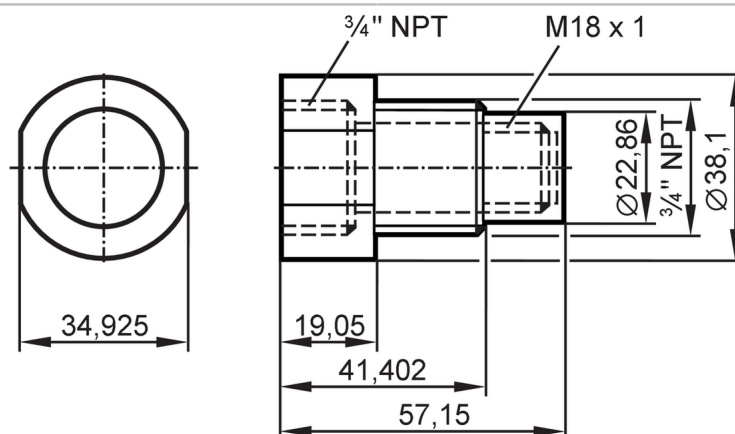
Mounting adapter for capacitive sensors

WELL, M18, 3/4" NPT, PTFE

Article to be discontinued

Alternative articles: E19927

When selecting an alternative article and accessories please note that technical data may differ!



Application

Design	for types M18	
Pressure rating	6.9 bar	0.69 MPa

Operating conditions

Ambient temperature	[°C]	-25...246
Note on ambient temperature		-25...260 for short duration

Mechanical data

Weight	[g]	20
Material		PTFE
Process connection		3/4" NPT

Remarks

Pack quantity		1 pcs.
---------------	--	--------