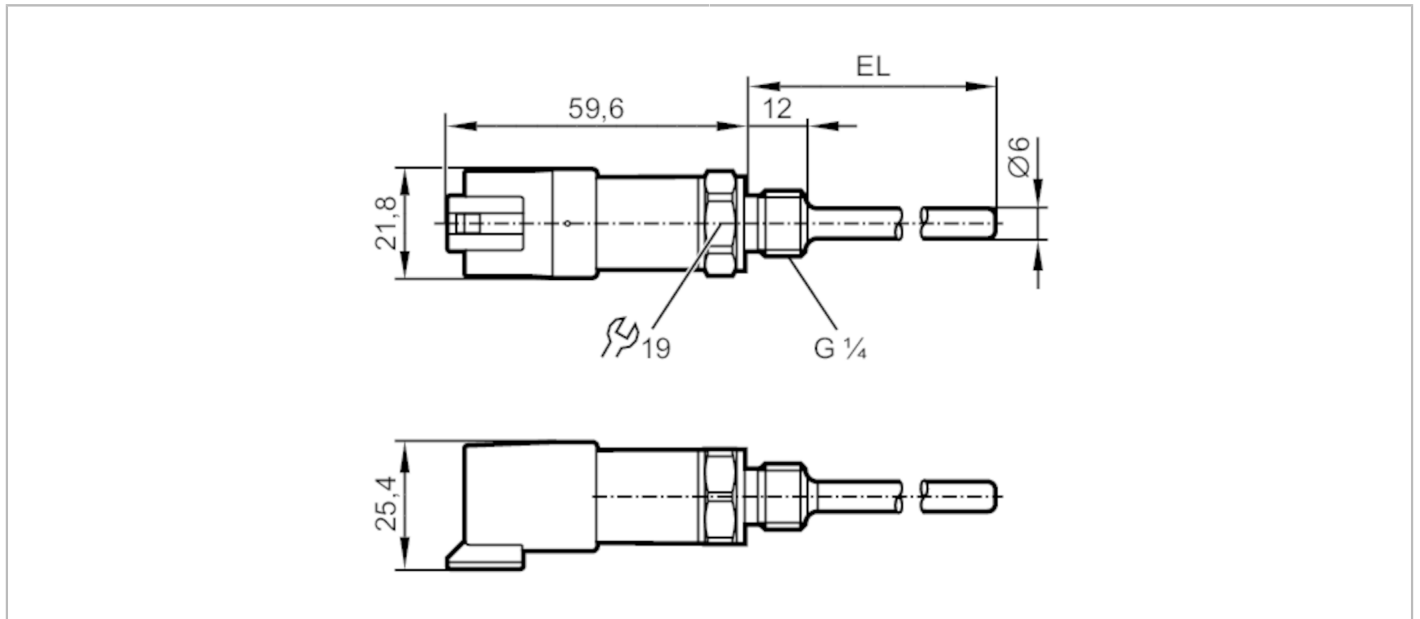


# TU4105



## Temperature transmitter

TU-025CLEM14-A-ZVG/DE



Product characteristics	
Number of inputs and outputs	Number of analog outputs: 1
Measuring range	-50...150 °C      -58...302 °F
Process connection	threaded connection G 1/4 external thread
Installation length EL [mm]	25
Application	
Measuring element	1 x Pt 1000; (to DIN EN 60751, class A)
Media	liquids and gases
Pressure rating [bar]	400
Electrical data	
Operating voltage [V]	8...32 DC; (cULus - Class 2 source required)
Current consumption [mA]	< 30
Protection class	III
Reverse polarity protection	yes
Inputs / outputs	
Number of inputs and outputs	Number of analog outputs: 1
Outputs	
Total number of outputs	1
Output signal	analog signal
Number of analog outputs	1
Analog voltage output [V]	0.5...4.5
Min. load resistance [Ω]	2000
Short-circuit protection	yes
Overload protection	yes
Measuring/setting range	
Measuring range	-50...150 °C      -58...302 °F

# TU4105



## Temperature transmitter

TU-025CLEM14-A-ZVG/DE

Resolution		
Resolution of analog output	[K]	0.1
Accuracy / deviations		
Precision analog output	[K]	$\pm 0,3 + (\pm 0,1 \% MS)$
Temperature coefficient	[% of the span / 10 K]	0,1; (In case of deviation from the reference condition $25 \pm 5 \text{ }^\circ\text{C}$ )
Reaction times		
Dynamic response T05 / T09	[s]	1 / 3; (according to DIN EN 60751)
Operating conditions		
Ambient temperature	[ $^\circ\text{C}$ ]	-40...100
Storage temperature	[ $^\circ\text{C}$ ]	-40...100
Protection		IP 68; IP 69K
Tests / approvals		
EMC		DIN EN 61000-6-2 DIN EN 61000-6-3
Shock resistance		DIN EN 60068-2-27 50 g (11 ms)
Vibration resistance		DIN EN 60068-2-6 20 g (10...2000 Hz)
MTTF	[years]	849
UL approval		UL approval number K009
Mechanical data		
Weight	[g]	92.5
Material		stainless steel (1.4404 / 316L); PPS; FKM
Materials (wetted parts)		stainless steel (1.4404 / 316L); FKM
Process connection		threaded connection G 1/4 external thread
Probe diameter	[mm]	6
Installation length EL	[mm]	25
Remarks		
Remarks		The values for accuracy apply to flowing water. referring to UL: for use on a low voltage circuit with overcurrent protection in accordance with UL873 tab. 28.1 or $I_{max} = 100/U_b$ ( $U_b$ = voltage of the circuit)
Pack quantity		1 pcs.
Electrical connection		
Connector: 1 x DEUTSCH connector (DT04-3P)		

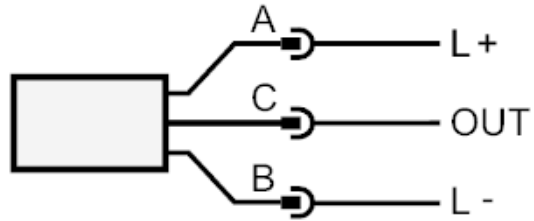
# TU4105



## Temperature transmitter

TU-025CLEM14-A-ZVG/DE

### Connection



OUT: analog output