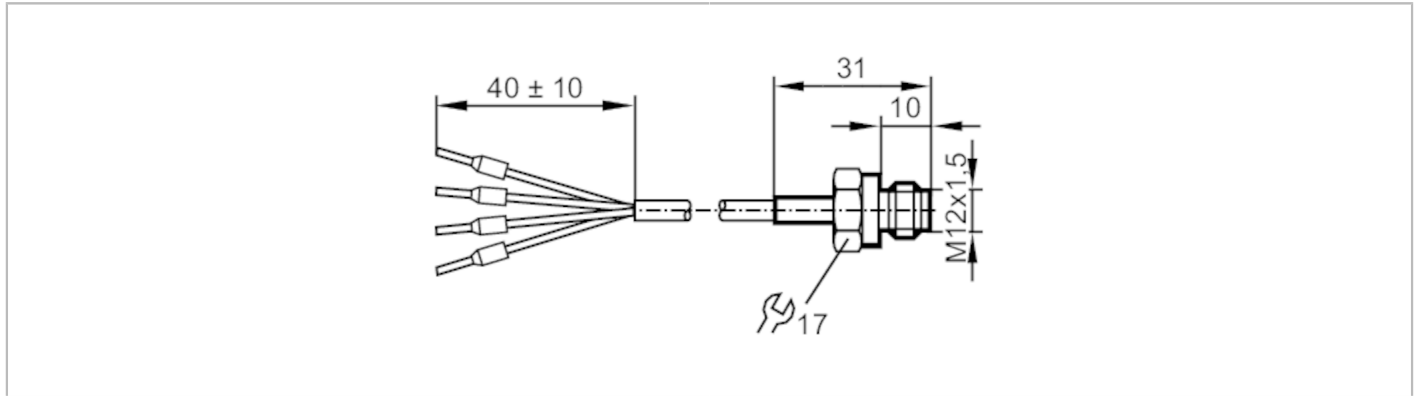


TS5951



Temperature cable sensor with screw-in sensor

TS-500KLKM...



Product characteristics		
Measuring range	-30...150 °C	-22...302 °F
Process connection	threaded connection M12 x 1,5 external thread	
Application		
Measuring element	1 x Pt 100; (to DIN EN 60751, class A)	
Installation	Contact sensor for solid bodies	
Pressure rating [bar]	500	
Electrical data		
Protection class	III	
Measuring/setting range		
Measuring range	-30...150 °C	-22...302 °F
Accuracy / deviations		
Accuracy [K]	± (0,15 K + 0,002 x t)	
Reaction times		
Dynamic response T05 / T09 [s]	4 / 12; (according to DIN EN 60751)	
Operating conditions		
Protection	IP 67	
Tests / approvals		
MTTF [years]	12683.9	
Mechanical data		
Weight [g]	214.2	
Housing	tubular	
Design	screw-in sensor	
Material	stainless steel (1.4301 / 304)	
Process connection	threaded connection M12 x 1,5 external thread	
Remarks		
Pack quantity	1 pcs.	

TS5951



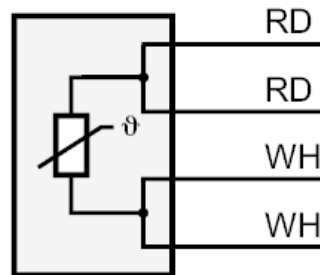
Temperature cable sensor with screw-in sensor

TS-500KLKM...

Electrical connection

Cable: 5 m, silicone, Ø 5 mm; with wire end ferrules; 4 x 0.34 mm²

Connection



RD = Core colors :
WH = red
white