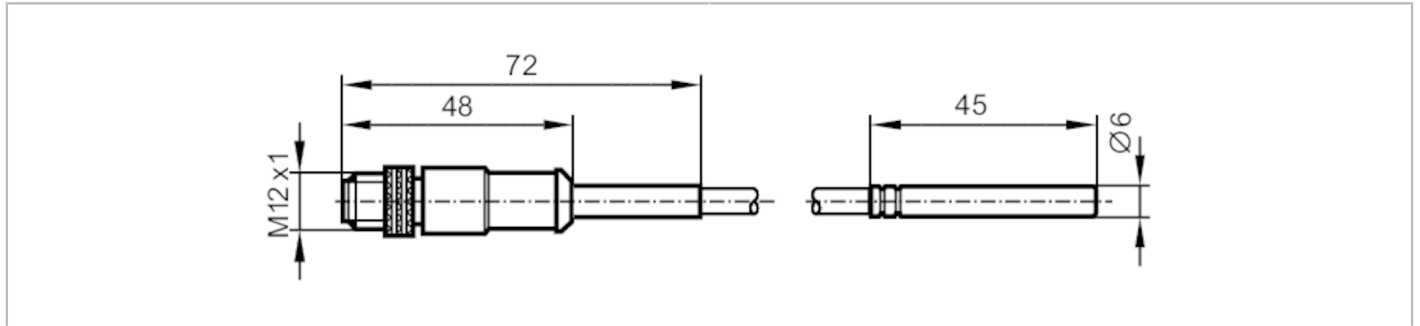


TS2269



Temperature cable sensor with process connection

TS-200KDKD6-...../US/



Product characteristics		
Measuring range	-40...90 °C	-40...194 °F
Process connection	Clamp fitting Ø 6 mm	
Installation length EL	[mm]	45
Application		
Special feature	gold-plated contacts	
Measuring element	1 x Pt 1000; (to DIN EN 60751, class A)	
Media	liquids and gases	
Minimum installation depth	[mm]	15
Electrical data		
Protection class	III	
Measuring/setting range		
Probe length L	[mm]	45
Measuring range	-40...90 °C	-40...194 °F
Accuracy / deviations		
Accuracy	[K]	± (0,15 K + 0,002 x t)
Reaction times		
Dynamic response T05 / T09	[s]	3 / 10; (according to DIN EN 60751)
Operating conditions		
Protection	IP 67	
Tests / approvals		
MTTF	[years]	11415.5
Mechanical data		
Weight	[g]	65.6
Housing	tubular	
Design	Measuring probes	
Dimensions	[mm]	Ø 6 / L = 45
Material	stainless steel	
Materials (wetted parts)	stainless steel (1.4404 / 316L)	
Process connection	Clamp fitting Ø 6 mm	
Probe diameter	[mm]	6
Installation length EL	[mm]	45

TS2269



Temperature cable sensor with process connection

TS-200KLLKD6-...../US/

Remarks

Remarks	The values for accuracy apply to flowing water.
Pack quantity	1 pcs.

Electrical connection

Cable: 2 m, PUR

Connector: 1 x M12; coding: A; Contacts: gold-plated



Connection

