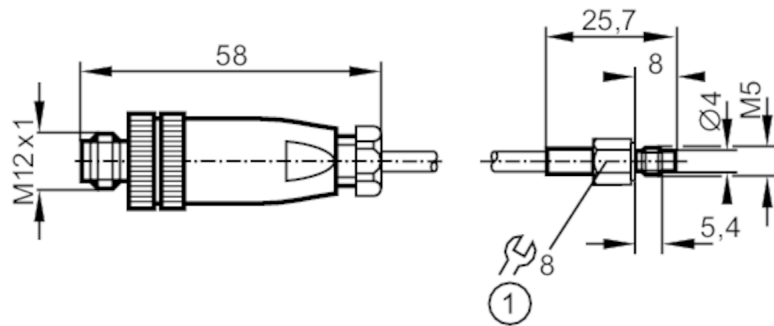


TS2759



Temperature cable sensor with screw-in sensor

TS-PT100-SCREW-IN M5



1 Tightening torque 1.5 Nm



Product characteristics

Measuring range	-30...180 °C	-22...356 °F
Process connection	threaded connection M5 external thread	

Application

Measuring element	1 x Pt 100; (to DIN EN 60751, class A)
Installation	Contact sensor for solid bodies

Electrical data

Protection class	III
------------------	-----

Measuring/setting range

Measuring range	-30...180 °C	-22...356 °F
-----------------	--------------	--------------

Accuracy / deviations

Accuracy	[K]	$\pm (0,15 K + 0,002 x t)$
----------	-----	-----------------------------

Reaction times

Dynamic response T05 / T09	[s]	3 / 8; (according to DIN EN 60751)
----------------------------	-----	------------------------------------

Operating conditions

Protection	IP 67
------------	-------

Tests / approvals

MTTF	[years]	10377.8
------	---------	---------

Mechanical data

Weight	[g]	102.8
Housing		tubular
Design		screw-in sensor
Material		stainless steel (1.4404 / 316L)
Process connection		threaded connection M5 external thread
Probe diameter	[mm]	4

Remarks

Pack quantity		1 pcs.
---------------	--	--------

TS2759



Temperature cable sensor with screw-in sensor

TS-PT100-SCREW-IN M5

Electrical connection

Cable: 2 m, silicone

Connector: 1 x M12; coding: A



Connection

