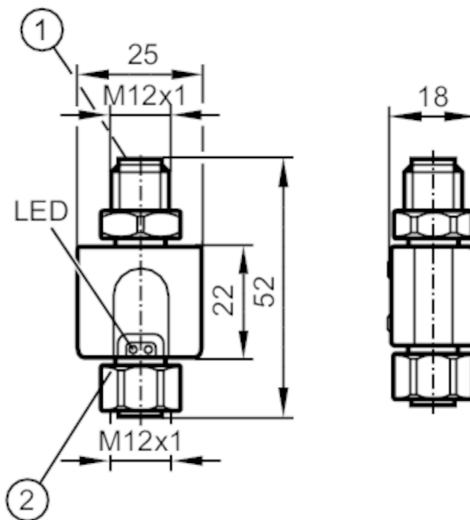


TP3232



Evaluation unit for PT100/Pt1000 temperature sensors

TP- CEC -A-ZVG/US/



- 1 connection for voltage supply and output signals
2 connection for temperature sensor



Product characteristics

Number of inputs and outputs	Number of analog outputs: 1	
Measuring range	-50...300 °C	-58...572 °F
Communication interface	IO-Link	

Application

Special feature	gold-plated contacts	
Application	for Pt100 and Pt1000 measuring elements	

Electrical data

Operating voltage	[V]	20...32 DC
Protection class		III
Reverse polarity protection		yes
Power-on delay time	[s]	1
Integrated watchdog		yes

Inputs / outputs

Number of inputs and outputs	Number of analog outputs: 1	
------------------------------	-----------------------------	--

Outputs

Total number of outputs	1	
Output signal	analog signal; IO-Link; (configurable)	
Number of analog outputs	1	
Analog current output	[mA]	4...20
Max. load	[Ω]	300
Short-circuit protection	yes	
Type of short-circuit protection	yes (non-latching)	
Overload protection	yes	

Measuring/setting range

Measuring range	-50...300 °C	-58...572 °F
-----------------	--------------	--------------

TP3232



Evaluation unit for PT100/PT1000 temperature sensors

TP- CEC -A-ZVG/US/

Factory setting	-50...300 °C	
Accuracy / deviations		
Precision analog output [K]	± 0,3 + (± 0,1 % MS)	
Temperature coefficient [% of the span / 10 K]	0,1	
Reaction times		
Max. measuring/display cycle [ms]	100	
Interfaces		
Communication interface	IO-Link	
Transmission type	COM2 (38,4 kBaud)	
IO-Link revision	1.0	
Min. process cycle time [ms]	2.3	
Supported DeviceIDs	Type of operation	DeviceID
	default	141
Operating conditions		
Ambient temperature [°C]	-25...70	
Storage temperature [°C]	-40...85	
Protection	IP 67	
Tests / approvals		
EMC	EN 61326-1	
Shock resistance	DIN IEC 68-2-27	50 g (11 ms)
Vibration resistance	DIN IEC 68-2-6	20 g (10...2000 Hz)
MTTF [years]	449	
Mechanical data		
Weight [g]	40.5	
Housing	rectangular	
Dimensions [mm]	52 x 25 x 18	
Material	PA; PET	
Sealing material	FKM	
Remarks		
Remarks	cULus - Class 2 source required	
	MS = set measuring span	
Pack quantity	1 pcs.	
Electrical connection		
Connector: 1 x M12; coding: A; Moulded body: TPU (urethane); Locking: stainless steel (1.4404 / 316L); sealing: FKM; Contacts: gold-plated		

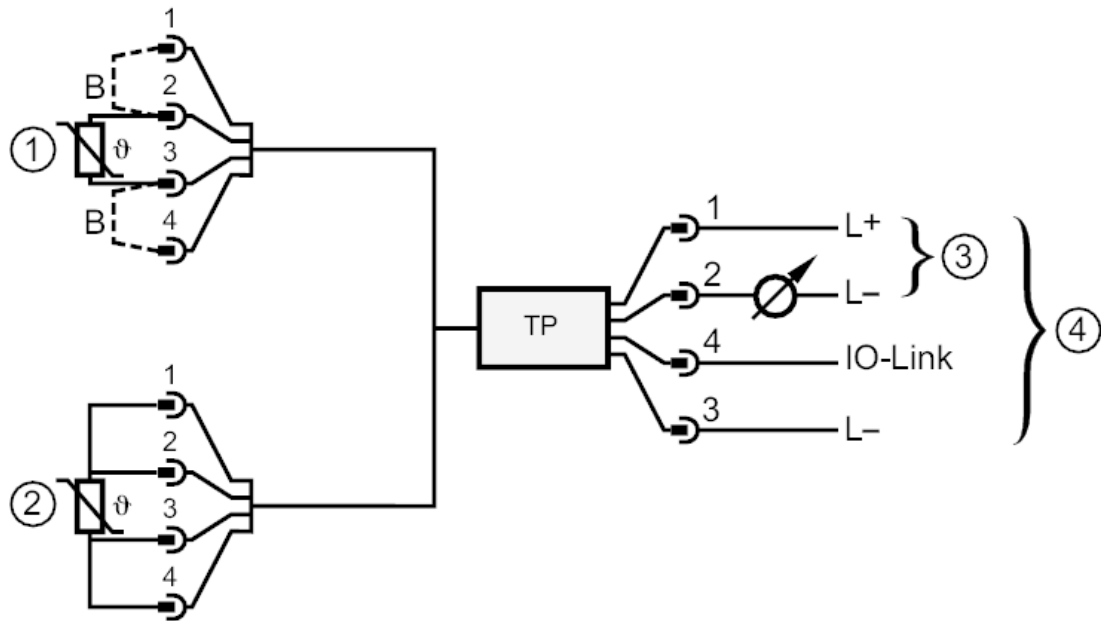
TP3232



Evaluation unit for PT100/PT1000 temperature sensors

TP- CEC -A-ZVG/US/

Connection



- 1: Two-wire sensor
- 2: Four-wire sensor
- 3: Operation as 2-wire temperature transmitter
- 4: Operation as 3-wire unit, IO-Link communication possible
- B: bridge