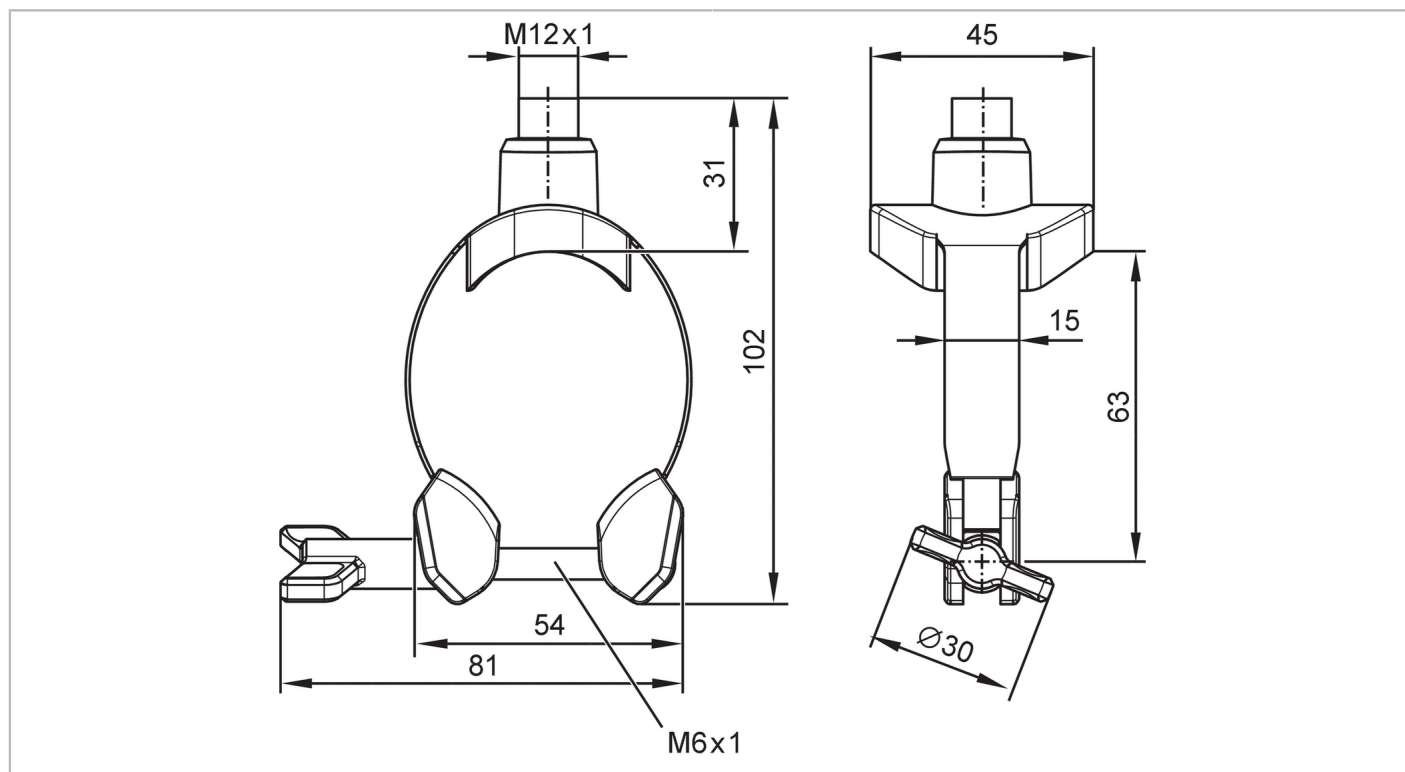


TSM701



Temperature cable sensor with bolt-on sensor

TSM050K2PCXX/US/



Product characteristics		
Measuring range	-25...160 °C	-13...320 °F
Process connection	bolt-on sensor DN50 (Ø 48...54 mm)	
Application		
Special feature	gold-plated contacts	
Measuring element	1 x Pt 1000; (to DIN EN 60751, class A)	
Installation	Contact sensor for solid bodies; clamp-on solution	
Electrical data		
Protection class	III	
Overvoltage category	II	
Measuring/setting range		
Measuring range	-25...160 °C	-13...320 °F
Accuracy / deviations		
Accuracy	[K]	$\pm (0,15 K + 0,002 x T)$; (ambient temperature influence on the accuracy: $0,02 x (T_a - T)$)
Reaction times		
Dynamic response T05 / T09	[s]	7,5 / 25; (reference values for moving water : (> 0,4 m/s))
Operating conditions		
Ambient temperature	[°C]	-25...80
Max. relative air humidity	[%]	90; (non condensing)
Max. height above sea level	[m]	2000
Protection		IP 69K
Degree of soiling		3

TSM701



Temperature cable sensor with bolt-on sensor

TSM050K2PCXX/US/

Tests / approvals		
MTTF	[years]	22831
Mechanical data		
Weight	[g]	168.2
Design		Surface temperature probe
Dimensions	[mm]	102 x 81 x 45
Material		Mounting clamp: stainless steel (1.4404 / 316L); housing: PPSU; Gasket: FKM
Process connection		bolt-on sensor DN50 (Ø 48...54 mm)
Remarks		
Remarks		Ta = Ambient temperature T = Process temperature
Pack quantity		1 pcs.

Electrical connection

Connector: 1 x M12; coding: A; Contacts: gold-plated



Connection

