

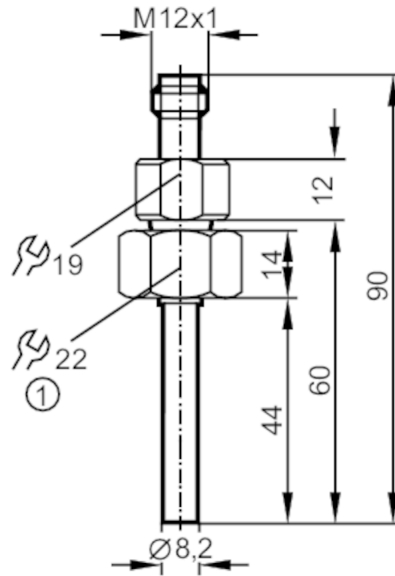
TM9950



Temperature sensor with process connection

TM-045-BEM18

/US



1 Internal thread M18 x 1.5



Product characteristics

Measuring range	-40...125 °C	-40...257 °F
Process connection	threaded connection M18 x 1,5 Internal thread	
Installation length EL [mm]	60	

Application

Special feature	gold-plated contacts	
Measuring element	1 x Pt 100; (to DIN EN 60751, class B)	
Media	liquids and gases	
Pressure rating	300 bar	30 MPa
Minimum installation depth [mm]	15	

Electrical data

Protection class	III	
------------------	-----	--

Measuring/setting range

Probe length L [mm]	44	
Measuring range	-40...125 °C	-40...257 °F

Accuracy / deviations

Accuracy [K]	$\pm (0,30 K + 0,005 x t)$	
--------------	-----------------------------	--

Reaction times

Dynamic response T05 / T09 [s]	1 / 3; (according to DIN EN 60751)	
--------------------------------	------------------------------------	--

Operating conditions

Ambient temperature [°C]	-25...80	
Storage temperature [°C]	-40...100	
Protection	IP 68; IP 69K	

Tests / approvals

MTTF [years]	22831	
--------------	-------	--

TM9950



Temperature sensor with process connection

TM-045-BEM18 /US

Mechanical data	
Weight [g]	81.5
Housing	tubular
Material	stainless steel (1.4404 / 316L)
Materials (wetted parts)	stainless steel (1.4404 / 316L)
Process connection	threaded connection M18 x 1,5 Internal thread
Probe diameter [mm]	8.2
Installation length EL [mm]	60

Remarks	
Remarks	cULus - Class 2 source required The values for accuracy apply to flowing water.
Pack quantity	1 pcs.

Electrical connection

Connector: 1 x M12; coding: A; Contacts: 4, gold-plated



Connection

