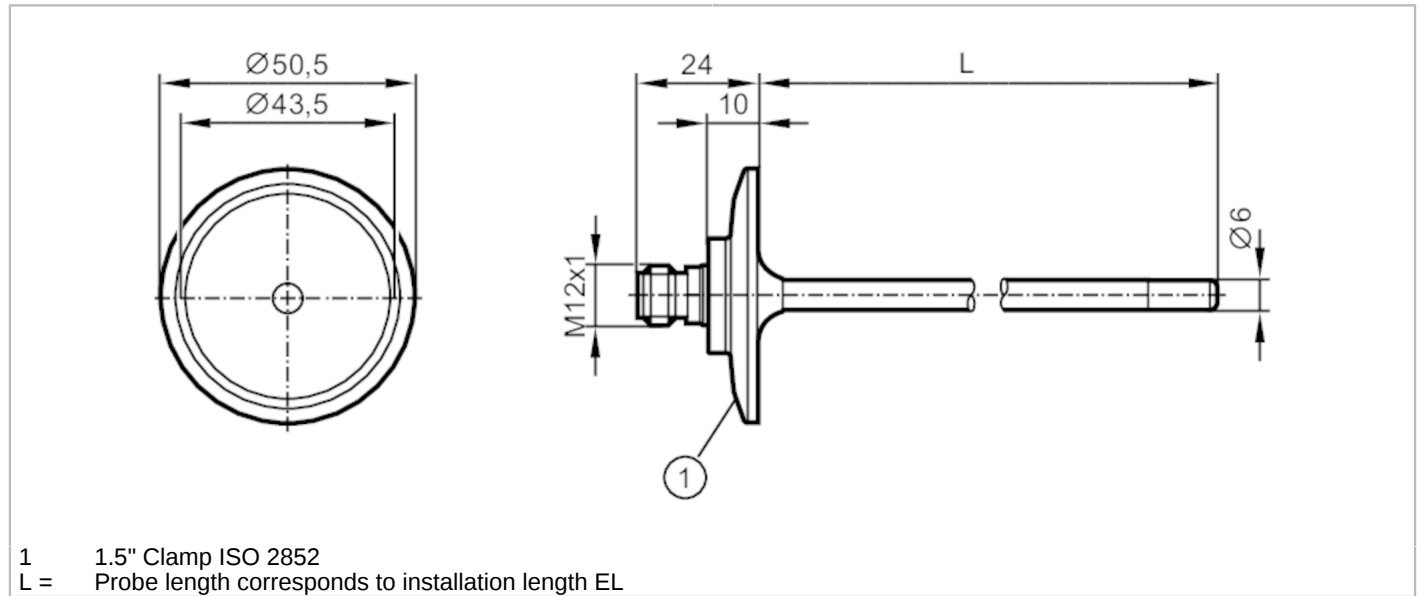


# TM4831



## Temperature sensor with process connection

TM-100KFEC01- /US/



| Product characteristics                        |   |              |
|--|---|--------------|
| Measuring range                                | -40...150 °C                                      | -40...302 °F |
| Process connection                             | Clamp DN25...DN40 (1...1,5") DIN 32676 (ISO 2852) |              |
| Installation length EL [mm]                    | 100   |              |
| Application                                    |   |              |
| Special feature                                | gold-plated contacts                              |              |
| Measuring element                              | 1 x Pt 100; (to DIN EN 60751, class A)            |              |
| Application                                    | hygienic systems                                  |              |
| Media  | liquids and gases                                 |              |
| Pressure rating                                | 25 bar  | 2.5 MPa      |
| Minimum installation depth [mm]                | 15  |              |
| MAWP (for applications according to CRN) [bar] | 50  |              |
| Electrical data                                |   |              |
| Protection class                               | III   |              |
| Measuring/setting range                        |   |              |
| Probe length L [mm]                            | 100   |              |
| Measuring range                                | -40...150 °C                                      | -40...302 °F |
| Accuracy / deviations                          |   |              |
| Accuracy [K]                                   | ± (0,15 K + 0,002 x t )                           |              |
| Reaction times                                 |   |              |
| Dynamic response T05 / T09 [s]                 | 1 / 3; (according to DIN EN 60751)                |              |
| Operating conditions                           |   |              |
| Ambient temperature [°C]                       | -25...80  |              |
| Storage temperature [°C]                       | -40...100   |              |
| Protection                                     | IP 68; IP 69K                                     |              |

# TM4831



## Temperature sensor with process connection

TM-100KFEC01- /US/

| Tests / approvals                                 |                     |  |
|---|---------------------|--|
| Shock resistance                                  | DIN EN 60068-2-2-27 | 50 g (11 ms)   |
| Vibration resistance                              | DIN EN 60068-2-6    | 10 g (10...2000 Hz)  |
| MTTF [years]                                      |                     | 22831  |
| Mechanical data                                   |                     |  |
| Weight [g]  |                     | 188.5  |
| Housing   |                     | tubular  |
| Dimensions [mm]                                   |                     | Ø 49.8 / L = 124   |
| Material  |                     | stainless steel (1.4404 / 316L)  |
| Materials (wetted parts)                          |                     | stainless steel (1.4404 / 316L) electropolished                                    |
| Process connection                                |                     | Clamp DN25...DN40 (1...1,5") DIN 32676 (ISO 2852)                                  |
| Surface characteristics Ra/Rz of the wetted parts |                     | Ra < 0.8 µm  |
| Probe diameter [mm]                               |                     | 6  |
| Installation length EL [mm]                       |                     | 100  |
| Remarks   |                     |  |
| Remarks   |                     | cULus - Class 2 source required<br>The values for accuracy apply to flowing water. |
| Pack quantity                                     |                     | 1 pcs.   |

| Electrical connection   |  |
|---|--|
| Connector: 1 x M12; coding: A; Contacts: 4, gold-plated                             |  |
|  |  |

