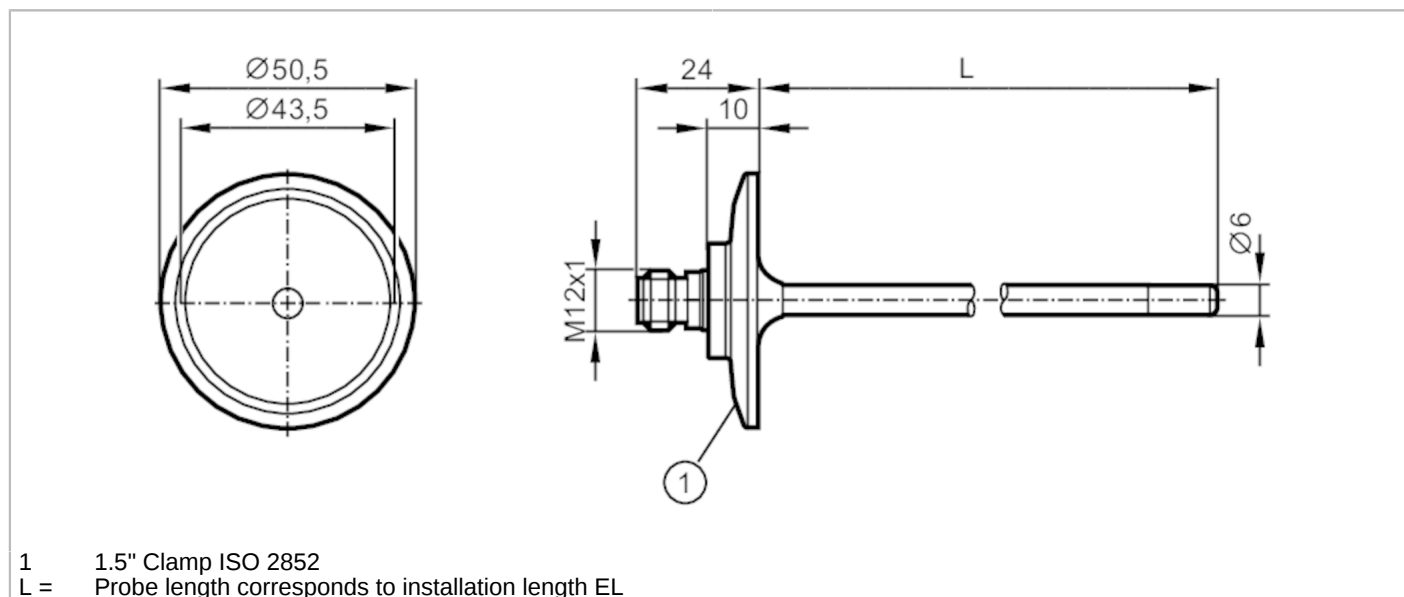


TM4811



Temperature sensor with process connection

TM-050KFEC01- /US/



1 1.5" Clamp ISO 2852
L = Probe length corresponds to installation length EL



EC 1935/2004

EHEDG Certified

FCM



Product characteristics

| | | |
|-----------------------------|---|--------------|
| Measuring range | -40...150 °C | -40...302 °F |
| Process connection | Clamp DN25...DN40 (1...1,5") DIN 32676 (ISO 2852) | |
| Installation length EL [mm] | 50 | |

Application

| | | |
|--|--|---------|
| Special feature | gold-plated contacts | |
| Measuring element | 1 x Pt 100; (to DIN EN 60751, class A) | |
| Application | hygienic systems | |
| Media | liquids and gases | |
| Pressure rating | 25 bar | 2.5 MPa |
| Minimum installation depth [mm] | 15 | |
| MAWP (for applications according to CRN) [bar] | 50 | |

Electrical data

| | |
|------------------|-----|
| Protection class | III |
|------------------|-----|

Measuring/setting range

| | |
|---------------------|------------------------------|
| Probe length L [mm] | 50 |
| Measuring range | -40...150 °C -40...302 °F |

Accuracy / deviations

| | |
|--------------|-------------------------|
| Accuracy [K] | ± (0,15 K + 0,002 x t) |
|--------------|-------------------------|

Reaction times

| | |
|--------------------------------|------------------------------------|
| Dynamic response T05 / T09 [s] | 1 / 3; (according to DIN EN 60751) |
|--------------------------------|------------------------------------|

Operating conditions

| | |
|--------------------------|---------------|
| Ambient temperature [°C] | -25...80 |
| Storage temperature [°C] | -40...100 |
| Protection | IP 68; IP 69K |

TM4811



Temperature sensor with process connection

TM-050KFEC01- /US/

| Tests / approvals | | |
|---|---------------------|--|
| Shock resistance | DIN EN 60068-2-2-27 | 50 g (11 ms) |
| Vibration resistance | DIN EN 60068-2-6 | 10 g (10...2000 Hz) |
| MTTF [years] | | 22831 |
| Mechanical data | | |
| Weight [g] | | 184 |
| Housing | | tubular |
| Dimensions [mm] | | Ø 49.8 / L = 74 |
| Material | | stainless steel (1.4404 / 316L) |
| Materials (wetted parts) | | stainless steel (1.4404 / 316L) electropolished |
| Process connection | | Clamp DN25...DN40 (1...1,5") DIN 32676 (ISO 2852) |
| Surface characteristics Ra/Rz of the wetted parts | | Ra < 0.8 µm |
| Probe diameter [mm] | | 6 |
| Installation length EL [mm] | | 50 |
| Remarks | | |
| Remarks | | cULus - Class 2 source required The values for accuracy apply to flowing water. |
| Pack quantity | | 1 pcs. |

| Electrical connection | |
|---|--|
| Connector: 1 x M12; coding: A; Contacts: 4, gold-plated | |
| | |

