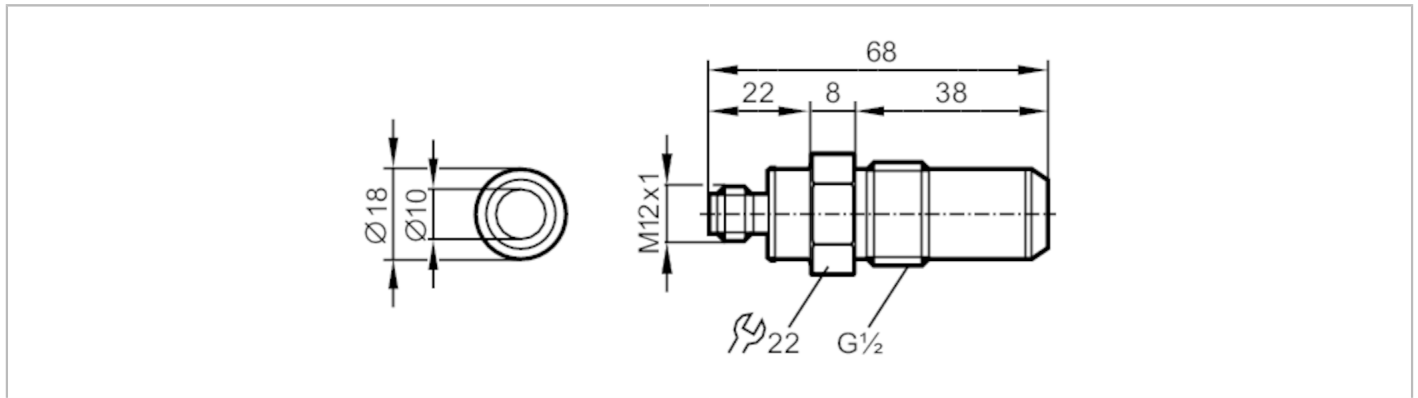


TM4599



Temperature sensor with process connection

TM-000KLER12-JUS/



Product characteristics	
Measuring range	[°C] -50...140
Process connection	threaded connection G 1/2 external thread sealing cone flush mountable
Application	
Special feature	gold-plated contacts
Measuring element	1 x Pt 100; (to DIN EN 60751, class A)
Media	liquids and gases
Medium temperature	[°C] < 100; (< 5 min: 150)
Pressure rating	16 bar 1.6 MPa
Electrical data	
Protection class	III
Measuring/setting range	
Measuring range	[°C] -50...140
Accuracy / deviations	
Accuracy	[K] ± (0,15 K + 0,002 x t)
Reaction times	
Dynamic response T05 / T09	[s] 10 / 40; (for water (70 °C; 0,04 m/s))
Operating conditions	
Ambient temperature	[°C] -20...70
Storage temperature	[°C] -40...100
Protection	IP 69K; (in conjunction with a corresponding connector)
Tests / approvals	
MTTF	[years] 12683.9
Mechanical data	
Weight	[g] 126.5
Housing	tubular
Dimensions	[mm] Ø 18 / L = 68
Material	stainless steel (1.4404 / 316L); PEEK
Materials (wetted parts)	stainless steel (1.4404 / 316L); PEEK
Tightening torque	[Nm] 10
Process connection	threaded connection G 1/2 external thread sealing cone flush mountable

TM4599



Temperature sensor with process connection

TM-000KLER12-JUS/

Remarks

Pack quantity

1 pcs.

Electrical connection

Connector: 1 x M12; coding: A; Contacts: gold-plated



Connection

