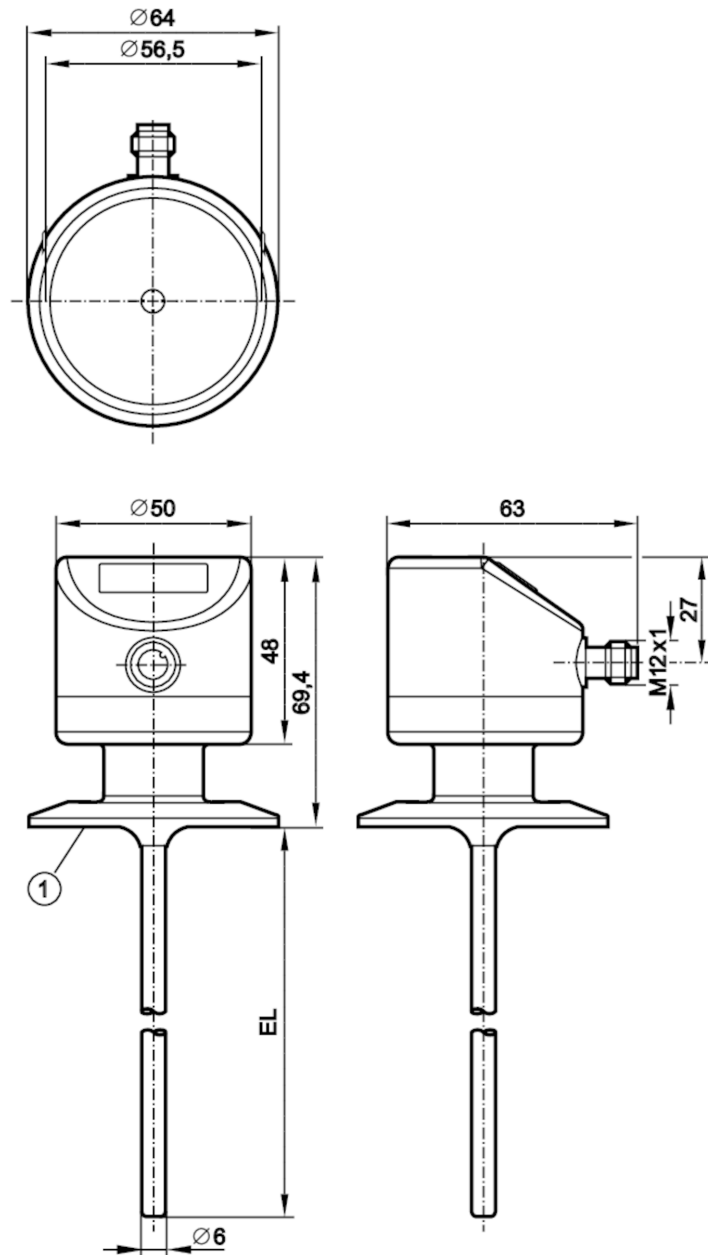


TD2917



Temperature Transmitter with Display

TD-050FEC02-A-ZVG/US



1 2" Clamp ISO 2852
EL = Installation length



Product characteristics

Number of inputs and outputs	Number of analog outputs: 1	
Measuring range	-50...150 °C	-58...302 °F
Communication interface	IO-Link	
Process connection	Clamp DN50 (2") DIN 32676 (ISO 2852)	
Installation length EL [mm]	50	

Application

Measuring element	1 x Pt 1000; (to DIN EN 60751, class A)
Media	liquids and gases

TD2917



Temperature Transmitter with Display

TD-050FEC02-A-ZVG/US

Pressure rating	100 bar	10 MPa
Vacuum resistance	-1000 mbar	-0.1 MPa
Electrical data		
Operating voltage [V]	18...32 DC; (cULus - Class 2 source required)	
Current consumption [mA]	< 50	
Protection class	III	
Reverse polarity protection	yes	
Power-on delay time [s]	2	
Inputs / outputs		
Number of inputs and outputs	Number of analog outputs: 1	
Outputs		
Total number of outputs	1	
Output signal	analog signal; IO-Link; (configurable)	
Number of analog outputs	1	
Analog current output [mA]	4...20	
Max. load [Ω]	300	
Short-circuit protection	yes	
Overload protection	yes	
Measuring/setting range		
Probe length L [mm]	50	
Measuring range	-50...150 °C	-58...302 °F
Factory setting	0...100 °C	
Resolution		
Resolution of analog output [K]	0.04	
Resolution of display [K]	0.1	
Accuracy / deviations		
Precision analog output [K]	± 0,3 + (± 0,1 % MS)	
Temperature coefficient [% of the span / 10 K]	0,1; (In case of deviation from the reference condition 25 °C)	
Reaction times		
Dynamic response T05 / T09 [s]	1 / 3	
Interfaces		
Communication interface	IO-Link	
Transmission type	COM2 (38,4 kBaud)	
IO-Link revision	1.1	
Profiles	Smart Sensor - SSP 0	Generic Profiled Sensor
Min. process cycle time [ms]	2.3	
Supported DeviceIDs	Type of operation	DeviceID
	default	374
Operating conditions		
Ambient temperature [°C]	-25...80	
Storage temperature [°C]	-40...100	
Protection	IP 67; IP 68; IP 69K	

TD2917



Temperature Transmitter with Display

TD-050FEC02-A-ZVG/US

Tests / approvals		
EMC	DIN EN 61000-6-2	
	DIN EN 61000-6-3	
Shock resistance	DIN IEC 68-2-27	50 g (11 ms)
Vibration resistance	DIN IEC 68-2-6	10 g (10...2000 Hz)
MTTF [years]		405
Note on approval	Factory certificate available as download at www.factory-certificate.ifm	
UL approval	UL approval number	K001

Mechanical data		
Weight [g]		392
Housing		tubular
Dimensions [mm]		Ø 64 / L = 119.4
Material		stainless steel (1.4404 / 316L); PEI; FKM
Materials (wetted parts)		stainless steel (1.4404 / 316L) electropolished
Process connection		Clamp DN50 (2") DIN 32676 (ISO 2852)
Surface characteristics Ra/Rz of the wetted parts		Ra < 0.8 µm
Probe diameter [mm]		6
Installation length EL [mm]		50

Displays / operating elements		
Display		7-segment LED display, 4-digit
		Display unit / status, °C / °F

Remarks		
Remarks		MS = set measuring span
		The values for accuracy apply to flowing water.
Pack quantity		1 pcs.

Electrical connection

Connector: 1 x M12; coding: A



Connection

