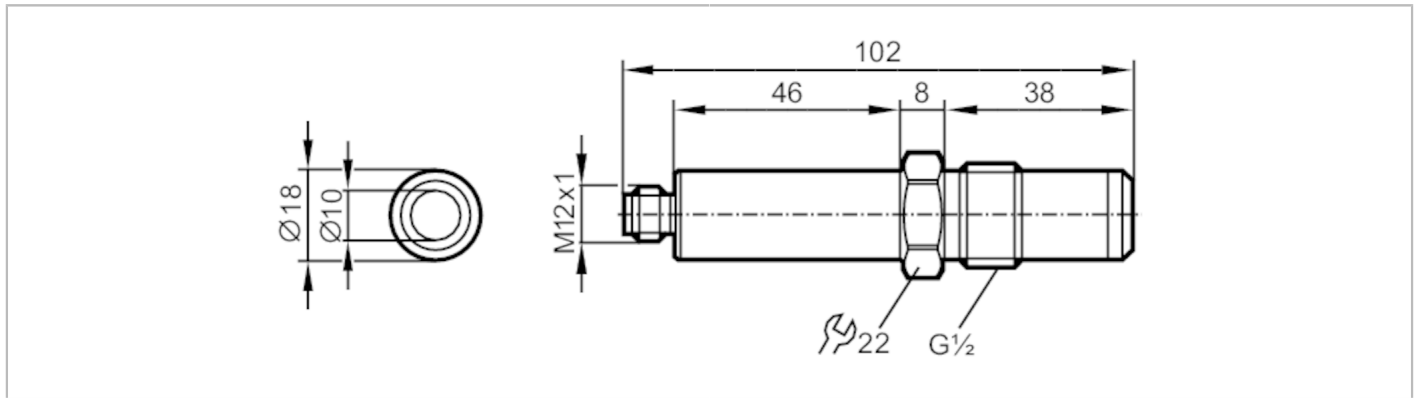


TA3597



Temperature transmitter

TA-000KLER12- /US



Product characteristics	
Number of inputs and outputs	Number of analog outputs: 1
Measuring range [°C]	0...100
Process connection	threaded connection G 1/2 external thread sealing cone flush mountable
Application	
Special feature	gold-plated contacts
Measuring element	1 x Pt 100; (to DIN EN 60751, class A)
Media	liquids and gases
Medium temperature [°C]	< 100; (< 5 min: 150)
Pressure rating	16 bar 1.6 MPa
Electrical data	
Operating voltage [V]	18...32 DC
Protection class	III
Reverse polarity protection	yes
Inputs / outputs	
Number of inputs and outputs	Number of analog outputs: 1
Outputs	
Total number of outputs	1
Output signal	analog signal
Number of analog outputs	1
Analog current output [mA]	4...20
Measuring/setting range	
Measuring range [°C]	0...100
Accuracy / deviations	
Precision analog output [K]	± (0,25 K + 0,002 x t)
Temperature coefficient [% of the span / 10 K]	0,1
Reaction times	
Dynamic response T05 / T09 [s]	10 / 40; (for water (70 °C; 0,04 m/s))
Operating conditions	
Ambient temperature [°C]	-20...70

TA3597



Temperature transmitter

TA-000KLER12- /US

Storage temperature	[°C]	-40...85
Protection		IP 69K; (in conjunction with a corresponding connector)

Tests / approvals

EMC	DIN EN 61000-6-2	
	DIN EN 61000-6-3	

Mechanical data

Weight	[g]	146.5
Housing		tubular
Dimensions	[mm]	Ø 18 / L = 102
Material		stainless steel (1.4404 / 316L); PEEK
Materials (wetted parts)		stainless steel (1.4404 / 316L); PEEK
Tightening torque	[Nm]	10
Process connection		threaded connection G 1/2 external thread sealing cone flush mountable
Surface characteristics Ra/Rz of the wetted parts		Ra < 0.8 µm

Remarks

Pack quantity		1 pcs.
---------------	--	--------

Electrical connection

Connector: 1 x M12; coding: A; Contacts: gold-plated



Connection

