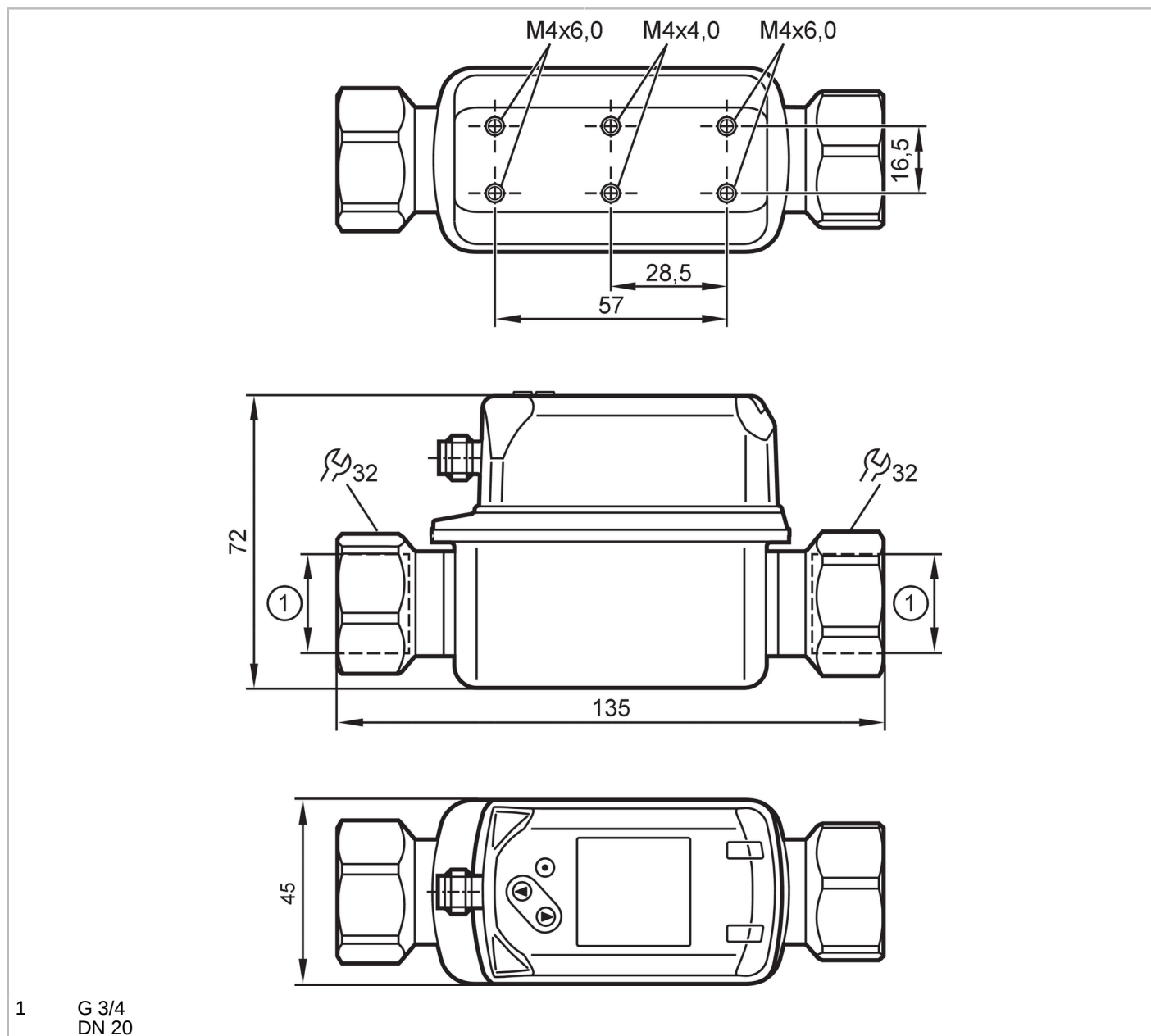


# SV7204



## SV vortex flowmeters with display for water based media

SVR34XXX50KG/US-100



### Product characteristics

Number of inputs and outputs	Number of analog outputs: 2	
Measuring range	5...100 l/min	0.3...6 m³/h
Process connection	threaded connection G 3/4 Internal thread DN20	

### Application

Special feature	gold-plated contacts	
Application	for industrial applications	
Media	water; glycol solutions; Coolants	
Medium temperature [°C]	-10...90	
Pressure rating	12 bar	1.2 MPa
Note on pressure rating	up to 40 °C	



## SV vortex flowmeters with display for water based media

SVR34XXX50KG/US-100

MAWP (for applications according to CRN)	[bar]	4.3
<b>Electrical data</b>		
Operating voltage	[V]	18...30 DC
Current consumption	[mA]	< 30
Min. insulation resistance	[MΩ]	100; (500 V DC)
Protection class		III
Reverse polarity protection		yes
Power-on delay time	[s]	< 3
Measuring principle		Vortex
<b>Inputs / outputs</b>		
Number of inputs and outputs		Number of analog outputs: 2
<b>Outputs</b>		
Total number of outputs		2
Output signal		analog signal
Number of analog outputs		2
Analog current output	[mA]	4...20
Max. load	[Ω]	500
Short-circuit protection		yes
Overload protection		yes
<b>Measuring/setting range</b>		
Measuring range	5...100 l/min	0.3...6 m³/h
Display range	0...120 l/min	0...7.2 m³/h
Resolution	0.5 l/min	0.02 m³/h
Analog start point ASP	0...80 l/min	0...4.8 m³/h
Analog end point AEP	20...100 l/min	1.2...6 m³/h
In steps of	0.5 l/min	0.02 m³/h
Measuring dynamics		1:20
<b>Temperature monitoring</b>		
Measuring range	[°C]	-10...90
Display range	[°C]	-30...110
Resolution	[°C]	0.5
Analog start point	[°C]	-10...70
Analog end point	[°C]	10...90
In steps of	[°C]	0.5
<b>Accuracy / deviations</b>		
<b>Flow monitoring</b>		
Accuracy (in the measuring range)		± 2 % MEW; (water)
Repeatability		± 0,5 % MEW
<b>Temperature monitoring</b>		
Accuracy	[K]	± 1

# SV7204



## SV vortex flowmeters with display for water based media

SVR34XXX50KG/US-100

Reaction times		
Flow monitoring		
Response time	[s]	1; (dAP = 0)
Damping process value dAP	[s]	0...5
Temperature monitoring		
Dynamic response T05 / T09	[s]	T09 = 6
Software / programming		
Parameter setting options		Damping for the analog output dAA; Display unit
Operating conditions		
Ambient temperature	[°C]	0...60
Note on ambient temperature		medium temperature < 80 °C medium temperature < 90 °C: 0...50 °C
Storage temperature	[°C]	-20...80
Protection		IP 65; IP 67
Tests / approvals		
EMC		DIN EN 61000-6-2 DIN EN 61000-6-3
CPA approval		model number 001VO accuracy class - maximum allowable error ± 2 % FS Q (min) 0,36 m³/h Q (t) 1,2 m³/h Q (max) 6 m³/h
Shock resistance		DIN EN 60068-2-27 5 g (11 ms)
Vibration resistance		DIN EN 60068-2-6 with water / 10...50 Hz 1 mm with water / 50...2000 Hz 2 g
MTTF	[years]	342
UL approval		UL approval number I002
Pressure equipment directive		sound engineering practice; can be used for group 2 fluids; group 1 fluids on request
Mechanical data		
Weight	[g]	483.5
Housing		rectangular
Dimensions	[mm]	135 x 45 x 72
Material		stainless steel (1.4404 / 316L); PC; PBT+PC-GF30; PPS; TPE-U
Materials (wetted parts)		stainless steel (1.4404 / 316L); ETFE; PA 6T; PPS; FKM
Tightening torque	[Nm]	30
Process connection		threaded connection G 3/4 Internal thread DN20
Displays / operating elements		
Display		Color display 1,44", 128 x 128 pixels 2 x LED, yellow
Remarks		
Remarks		MW = Measured value MEW = Final value of the measuring range
Pack quantity		1 pcs.

# SV7204



## SV vortex flowmeters with display for water based media

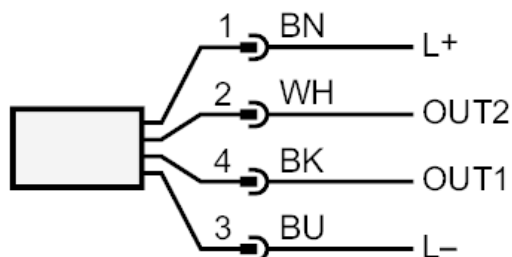
SVR34XX50KG/US-100

### Electrical connection

Connector: 1 x M12; coding: A; Contacts: gold-plated



### Connection

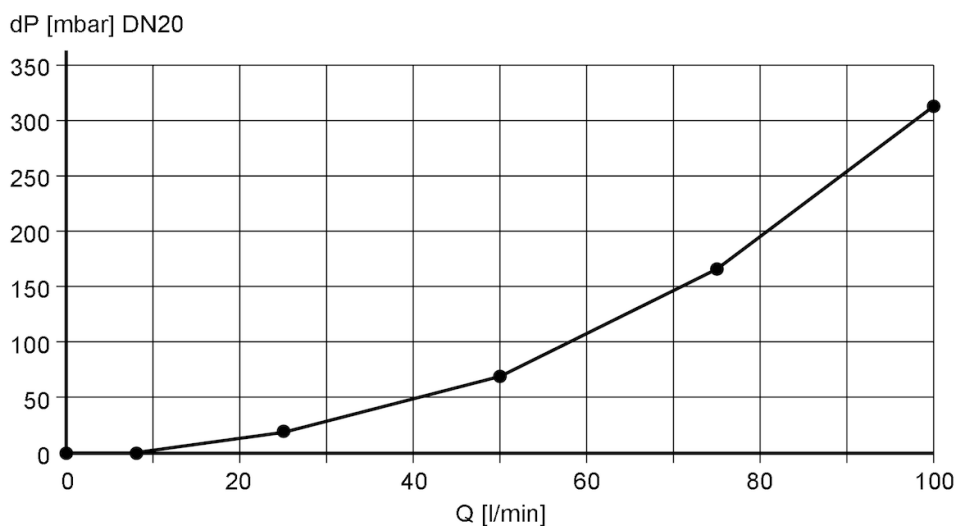


OUT1: analog output Temperature monitoring  
OUT2: analog output Volumetric flow quantity monitoring  
Colors to DIN EN 60947-5-2

Core colors :  
BK = black  
BN = brown  
BU = blue  
WH = white

### Diagrams and graphs

Pressure loss



dP Pressure loss  
Q volumetric flow quantity

# SV7204



## SV vortex flowmeters with display for water based media

SVR34XXX50KG/US-100

pressure rating (bar)

