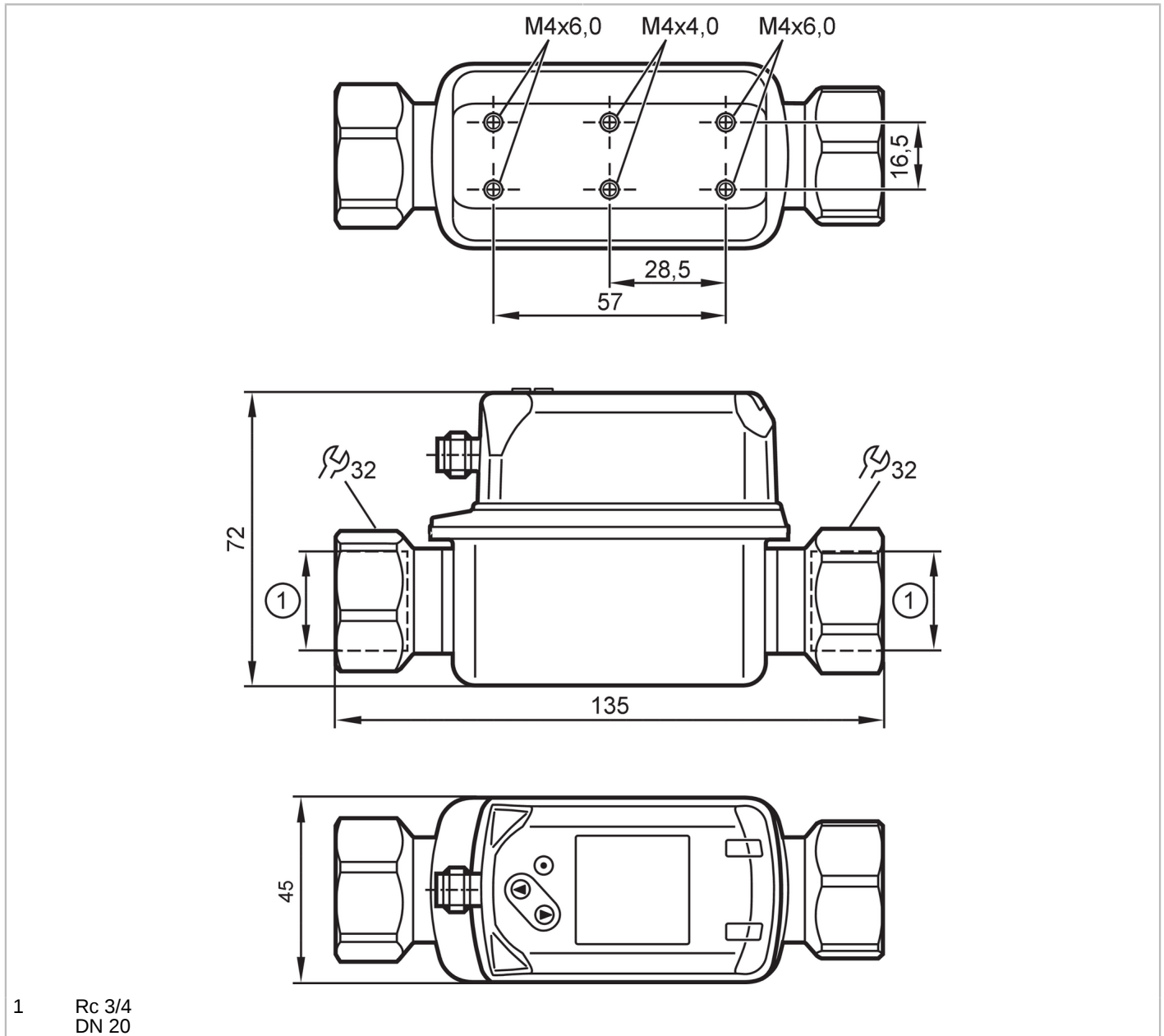


# SV7504



## SV vortex flowmeters with display for water based media

SVK34XXX50KG/US-100



1 Rc 3/4  
DN 20



### Product characteristics

Number of inputs and outputs	Number of analog outputs: 2	
Measuring range	5...100 l/min	0.3...6 m³/h
Process connection	threaded connection Rc 3/4 Internal thread DN20	

### Application

Special feature	gold-plated contacts	
Application	for industrial applications	
Media	water; glycol solutions; Coolants	
Medium temperature [°C]	-10...90	
Pressure rating	12 bar	1.2 MPa
Note on pressure rating	up to 40 °C	



## SV vortex flowmeters with display for water based media

SVK34XXX50KG/US-100

Electrical data		
Operating voltage	[V]	18...30 DC
Current consumption	[mA]	< 30
Min. insulation resistance	[MΩ]	100; (500 V DC)
Protection class		III
Reverse polarity protection		yes
Power-on delay time	[s]	< 3
Measuring principle		Vortex
Inputs / outputs		
Number of inputs and outputs		Number of analog outputs: 2
Outputs		
Total number of outputs		2
Output signal		analog signal
Number of analog outputs		2
Analog current output	[mA]	4...20
Max. load	[Ω]	500
Short-circuit protection		yes
Overload protection		yes
Measuring/setting range		
Measuring range	5...100 l/min	0.3...6 m³/h
Display range	0...120 l/min	0...7.2 m³/h
Resolution	0.5 l/min	0.02 m³/h
Analog start point ASP	0...80 l/min	0...4.8 m³/h
Analog end point AEP	20...100 l/min	1.2...6 m³/h
In steps of	0.5 l/min	0.02 m³/h
Measuring dynamics		1:20
Temperature monitoring		
Measuring range	[°C]	-10...90
Display range	[°C]	-30...110
Resolution	[°C]	0.5
Analog start point	[°C]	-10...70
Analog end point	[°C]	10...90
In steps of	[°C]	0.5
Accuracy / deviations		
Flow monitoring		
Accuracy (in the measuring range)		± 2 % MEW; (water)
Repeatability		± 0,5 % MEW
Temperature monitoring		
Accuracy	[K]	± 1
Reaction times		
Flow monitoring		
Response time	[s]	1; (dAP = 0)

# SV7504



## SV vortex flowmeters with display for water based media

SVK34XXX50KG/US-100

Damping process value dAP	[s]	0...5
<b>Temperature monitoring</b>		
Dynamic response T05 / T09	[s]	T09 = 6
<b>Software / programming</b>		
Parameter setting options	Damping for the analog output dAA; Display unit	
<b>Operating conditions</b>		
Ambient temperature	[°C]	0...60
Note on ambient temperature	medium temperature < 80 °C medium temperature < 90 °C: 0...50 °C	
Storage temperature	[°C]	-20...80
Protection	IP 65; IP 67	
<b>Tests / approvals</b>		
EMC	DIN EN 61000-6-2	
	DIN EN 61000-6-3	
CPA approval	model number	001VO
	accuracy class	-
	maximum allowable error	± 2 % FS
	Q (min)	0,36 m³/h
	Q (t)	1,2 m³/h
	Q (max)	6 m³/h
Shock resistance	DIN EN 60068-2-27	5 g (11 ms)
Vibration resistance	DIN EN 60068-2-6	with water / 10...50 Hz 1 mm with water / 50...2000 Hz 2 g
MTTF	[years]	342
UL approval	UL approval number	I002
Pressure equipment directive	sound engineering practice; can be used for group 2 fluids; group 1 fluids on request	
<b>Mechanical data</b>		
Weight	[g]	486.5
Housing	rectangular	
Dimensions	[mm]	135 x 45 x 72
Material	stainless steel (1.4404 / 316L); PC; PBT+PC-GF30; PPS; TPE-U	
Materials (wetted parts)	stainless steel (1.4404 / 316L); ETFE; PA 6T; PPS; FKM	
Tightening torque	[Nm]	30
Process connection	threaded connection Rc 3/4 Internal thread DN20	
<b>Displays / operating elements</b>		
Display	Color display 1,44", 128 x 128 pixels 2 x LED, yellow	
<b>Remarks</b>		
Remarks	MW = Measured value MEW = Final value of the measuring range	
Pack quantity	1 pcs.	

# SV7504



## SV vortex flowmeters with display for water based media

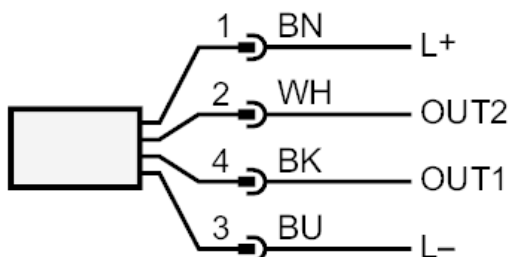
SVK34XXX50KG/US-100

### Electrical connection

Connector: 1 x M12; coding: A; Contacts: 4, gold-plated



### Connection



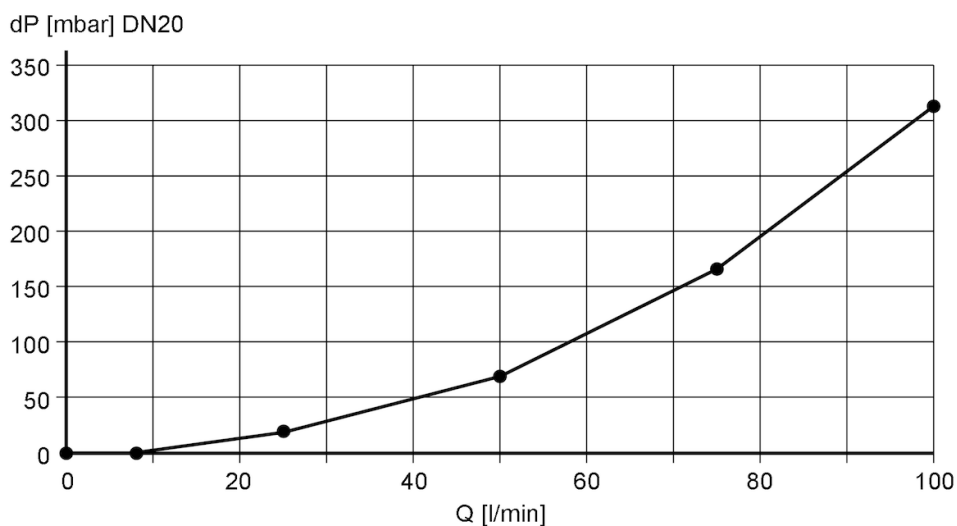
OUT1: analog output Temperature monitoring  
OUT2: analog output Volumetric flow quantity monitoring  
Colors to DIN EN 60947-5-2

Core colors :

BK = black  
BN = brown  
BU = blue  
WH = white

### Diagrams and graphs

Pressure loss



dP Pressure loss

Q volumetric flow quantity

# SV7504



## SV vortex flowmeters with display for water based media

SVK34XXX50KG/US-100

pressure rating (bar)

