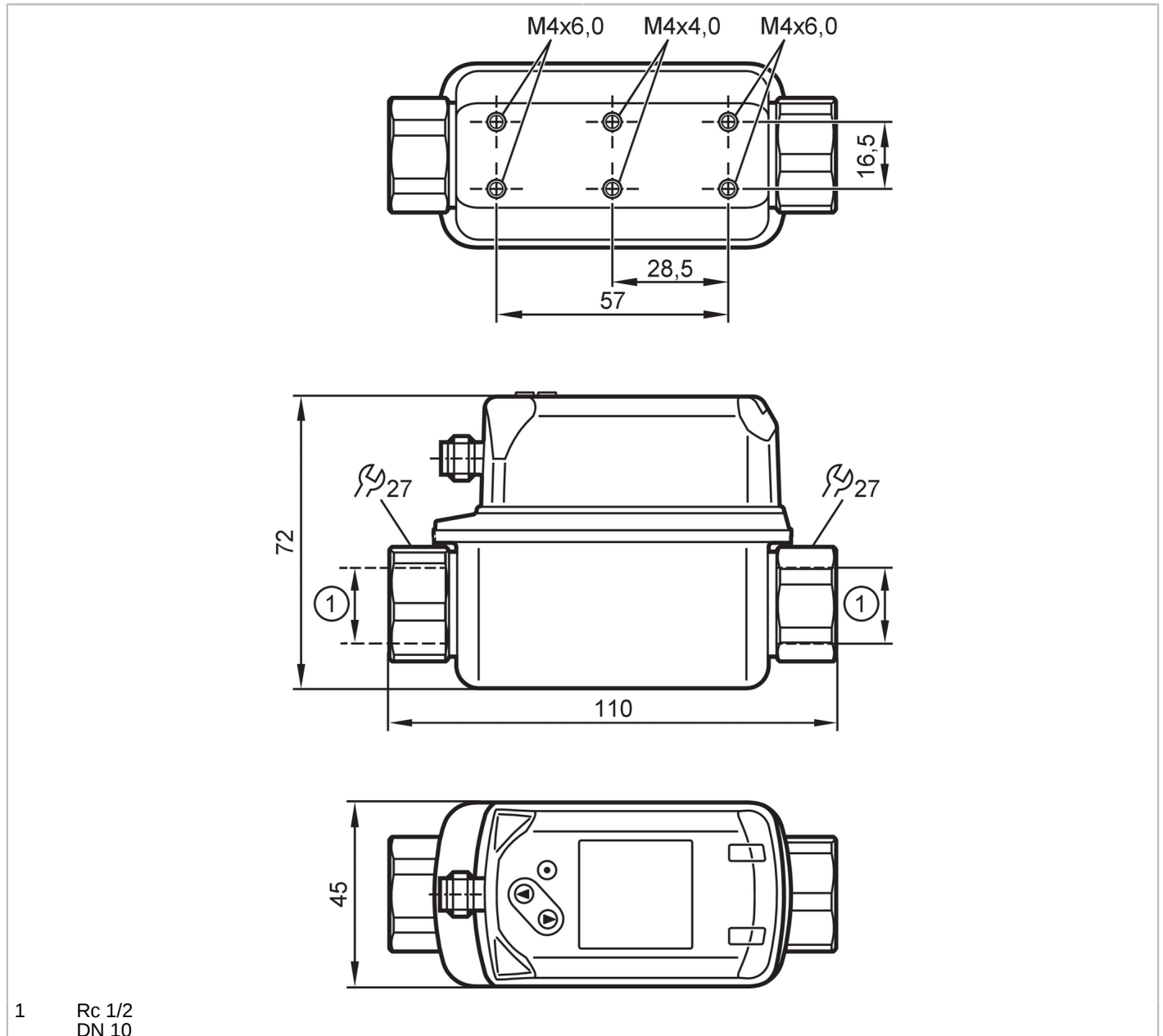


SV5504



SV vortex flowmeters with display for water based media

SVK12XXX50KG/US-100



Product characteristics	
Number of inputs and outputs	Number of analog outputs: 2
Measuring range	2...40 l/min 0.12...2.4 m³/h
Process connection	threaded connection Rc 1/2 Internal thread DN10
Application	
Special feature	gold-plated contacts
Application	for industrial applications
Media	water; glycol solutions; Coolants
Medium temperature [°C]	-10...90
Pressure rating	12 bar 1.2 MPa
Note on pressure rating	up to 40 °C



SV vortex flowmeters with display for water based media

SVK12XXX50KG/US-100

Electrical data		
Operating voltage	[V]	18...30 DC
Current consumption	[mA]	< 30
Min. insulation resistance	[MΩ]	100; (500 V DC)
Protection class		III
Reverse polarity protection		yes
Power-on delay time	[s]	< 3
Measuring principle		Vortex
Inputs / outputs		
Number of inputs and outputs		Number of analog outputs: 2
Outputs		
Total number of outputs		2
Output signal		analog signal
Number of analog outputs		2
Analog current output	[mA]	4...20
Max. load	[Ω]	500
Short-circuit protection		yes
Overload protection		yes
Measuring/setting range		
Measuring range	2...40 l/min	0.12...2.4 m³/h
Display range	0...48 l/min	0...2.88 m³/h
Resolution	0.2 l/min	0.01 m³/h
Analog start point ASP	0...32 l/min	0...1.92 m³/h
Analog end point AEP	8...40 l/min	0.48...2.4 m³/h
In steps of	0.2 l/min	0.01 m³/h
Measuring dynamics		1:20
Temperature monitoring		
Measuring range	[°C]	-10...90
Display range	[°C]	-30...110
Resolution	[°C]	0.5
Analog start point	[°C]	-10...70
Analog end point	[°C]	10...90
In steps of	[°C]	0.5
Accuracy / deviations		
Flow monitoring		
Accuracy (in the measuring range)		± 2 % MEW; (water)
Repeatability		± 0,5 % MEW
Temperature monitoring		
Accuracy	[K]	± 1
Reaction times		
Flow monitoring		
Response time	[s]	1; (dAP = 0)

SV5504



SV vortex flowmeters with display for water based media

SVK12XXX50KG/US-100

Damping process value dAP	[s]	0...5
Temperature monitoring		
Dynamic response T05 / T09	[s]	T09 = 6
Software / programming		
Parameter setting options	Damping for the analog output dAA; Display unit	
Operating conditions		
Ambient temperature	[°C]	0...60
Note on ambient temperature	medium temperature < 80 °C medium temperature < 90 °C: 0...50 °C	
Storage temperature	[°C]	-20...80
Protection	IP 65; IP 67	
Tests / approvals		
EMC	DIN EN 61000-6-2	
	DIN EN 61000-6-3	
CPA approval	model number	001VO
	accuracy class	-
	maximum allowable error	± 2 % FS
	Q (min)	0,15 m³/h
	Q (t)	0,48 m³/h
	Q (max)	2,4 m³/h
Shock resistance	DIN EN 60068-2-27	5 g (11 ms)
Vibration resistance	DIN EN 60068-2-6	with water / 10...50 Hz 1 mm with water / 50...2000 Hz 2 g
MTTF	[years]	342
UL approval	UL approval number	I002
Pressure equipment directive	sound engineering practice; can be used for group 2 fluids; group 1 fluids on request	
Mechanical data		
Weight	[g]	440.5
Housing	rectangular	
Dimensions	[mm]	110 x 45 x 72
Material	stainless steel (1.4404 / 316L); PC; PBT+PC-GF30; PPS; TPE-U	
Materials (wetted parts)	stainless steel (1.4404 / 316L); ETFE; PA 6T; PPS; FKM	
Tightening torque	[Nm]	30
Process connection	threaded connection Rc 1/2 Internal thread DN10	
Displays / operating elements		
Display	Color display 1,44", 128 x 128 pixels 2 x LED, yellow	
Remarks		
Remarks	MW = Measured value MEW = Final value of the measuring range	
Pack quantity	1 pcs.	

SV5504



SV vortex flowmeters with display for water based media

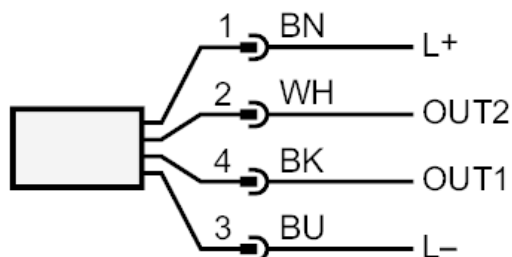
SVK12XXX50KG/US-100

Electrical connection

Connector: 1 x M12; coding: A; Contacts: 4, gold-plated



Connection

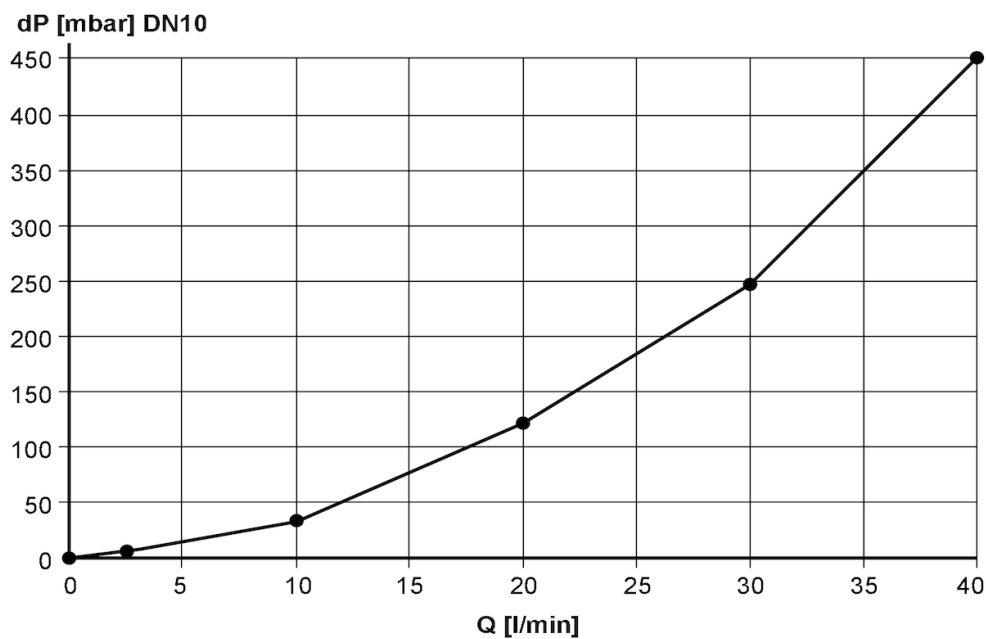


OUT1: analog output Temperature monitoring
OUT2: analog output Volumetric flow quantity monitoring
Colors to DIN EN 60947-5-2

Core colors :
BK = black
BN = brown
BU = blue
WH = white

Diagrams and graphs

Pressure loss



dP Pressure loss

Q volumetric flow quantity

SV5504



SV vortex flowmeters with display for water based media

SVK12XXX50KG/US-100

pressure rating (bar)

