

SV3150



Vortex flow meter

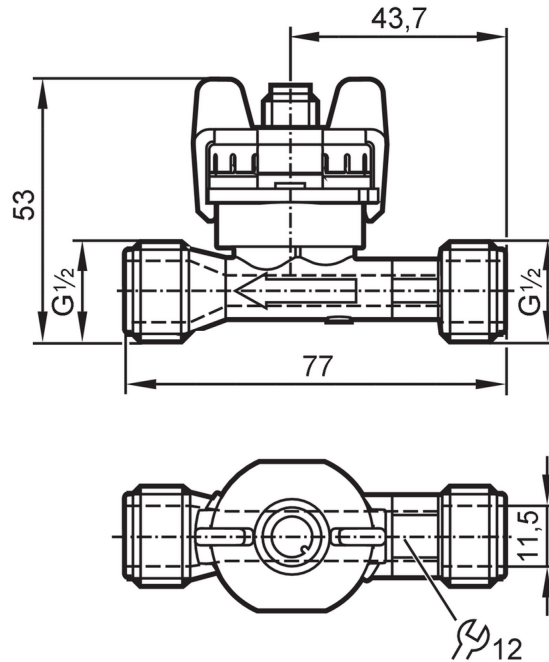
SVM12XXXD0KG/US-100

phase-out article

Discontinuation date: 12/31/2025

Alternative articles: SV3151

When selecting an alternative article and accessories please note that technical data may differ!



CE

Product characteristics

Number of inputs and outputs	Number of analogue outputs: 1	
Measuring range	0.5...10 l/min	0.074...1.474 m/s
Process connection	threaded connection G 1/2 external thread DN6	

Application

Special feature	Gold-plated contacts	
Application	for industrial applications	
Installation	connection to pipe by means of an adapter	
Media	water; glycol solutions; coolants	
Medium temperature [°C]	-40...100	
Min. burst pressure	25 bar	2.5 MPa
Pressure rating	12 bar	1.2 MPa
Note on pressure rating	up to 40 °C	

Electrical data

Operating voltage [V]	8...33 DC	
Min. insulation resistance [MΩ]	100; (500 V DC)	
Protection class	III	
Power-on delay time [s]	< 2	
Measuring principle	Vortex	

SV3150



Vortex flow meter

SVM12XXXD0KG/US-100

Inputs / outputs	
Number of inputs and outputs	Number of analogue outputs: 1
Outputs	
Total number of outputs	1
Output signal	analogue signal
Number of analogue outputs	1
Analogue current output [mA]	4...20; (Q [l/min] = 0,625 x (I - 4 mA))
Max. load [Ω]	$< (U_b - 8 \text{ V}) / 20 \text{ mA}$; $U_b = 24 \text{ V}$: 800
Measuring/setting range	
Measuring range	0.5...10 l/min 0.074...1.474 m/s
Accuracy / deviations	
Flow monitoring	
Accuracy (in the measuring range)	$Q < 50 \% \text{ MEW}$: $< 1 \% \text{ MEW}$ / $Q > 50 \% \text{ MEW}$: $< 2 \% \text{ MW}$; (water)
Repeatability	0,2; (% of the final value)
Response times	
Flow monitoring	
Response time [s]	0.5
Operating conditions	
Ambient temperature [$^{\circ}\text{C}$]	-15...85
Note on ambient temperature	medium temperature $> 0^{\circ}\text{C}$: -30...85
Storage temperature [$^{\circ}\text{C}$]	-30...85
Protection	IP 65
Cavitation	$P(\text{absolute discharge}) / P(\text{difference}) > 5.5$ to avoid cavitation
Tests / approvals	
EMC	EN 61326-2-3
Shock resistance	DIN EN 60068-2-27 30 g (11 ms)
Vibration resistance	DIN EN 60068-2-6 with water / 10...61 Hz 1 mm with water / 61...2000 Hz 2 g
MTTF [years]	380
Pressure Equipment Directive	Sound engineering practice; can be used for group 2 fluids; group 1 fluids on request
Mechanical data	
Weight [g]	66
Housing	rectangular
Dimensions [mm]	77 x 30.22 x 53
Materials	PA 6T
Materials (wetted parts)	ETFE; PA 6T; EPDM
Tightening torque [Nm]	12
Process connection	threaded connection G 1/2 external thread DN6
Remarks	
Remarks	MW = measured value MEW = Final value of the measuring range
Pack quantity	1 pcs.

SV3150



Vortex flow meter

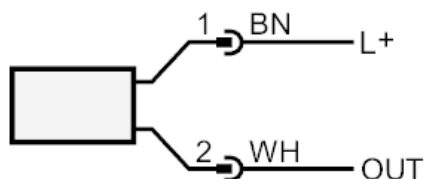
SVM12XXXD0KG/US-100

Electrical connection

Connector: 1 x M12; coding: A; Contacts: gold-plated



Connection



OUT: analogue output
colours to DIN EN 60947-5-2

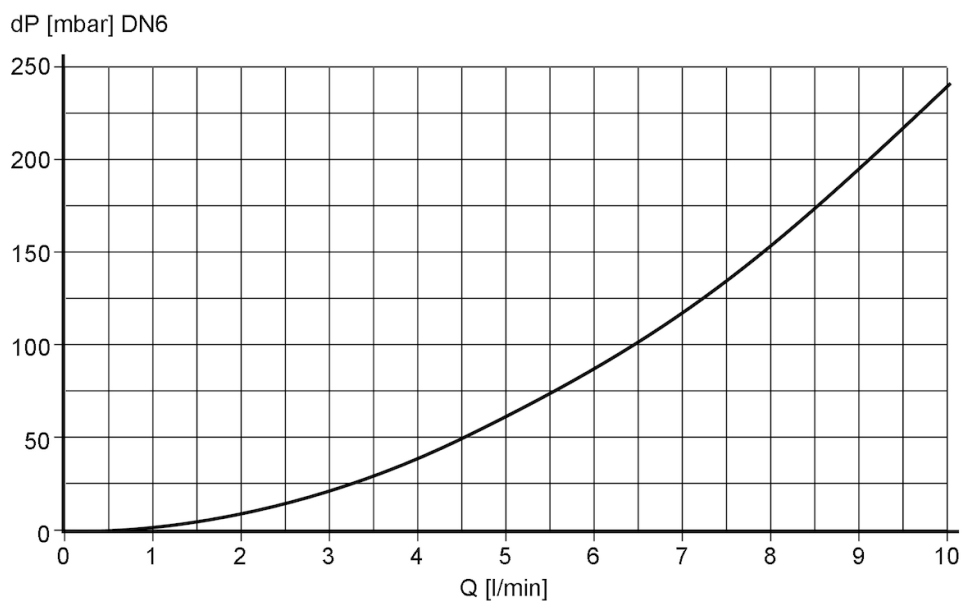
Core colours :

BN = brown

WH = white

Diagrams and graphs

Pressure loss



dP Pressure loss

Q volumetric flow quantity

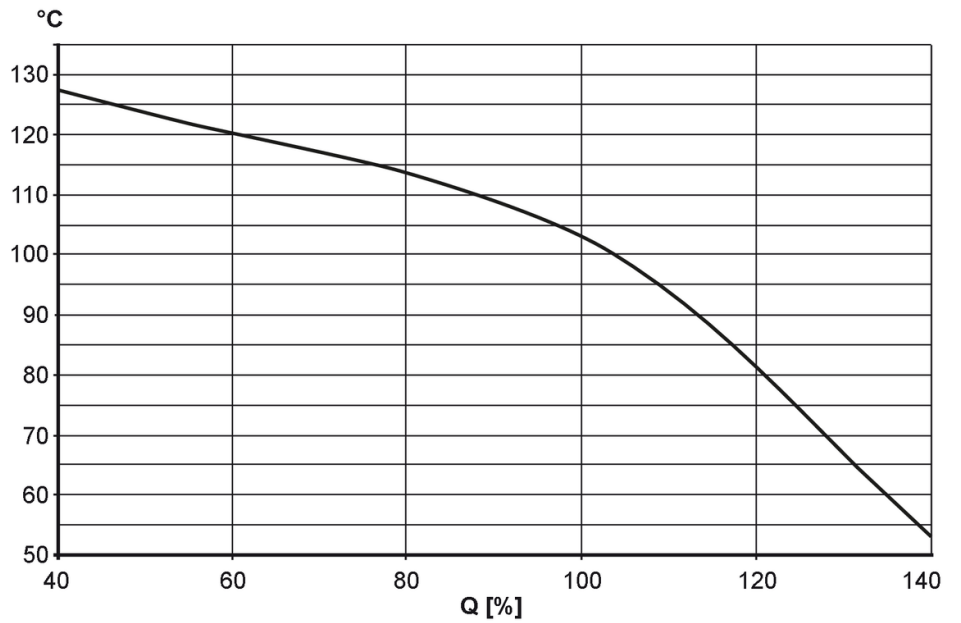
SV3150



Vortex flow meter

SVM12XXXD0KG/US-100

min. life 10 years referred to flow and high medium temperatures



pressure rating (bar)

