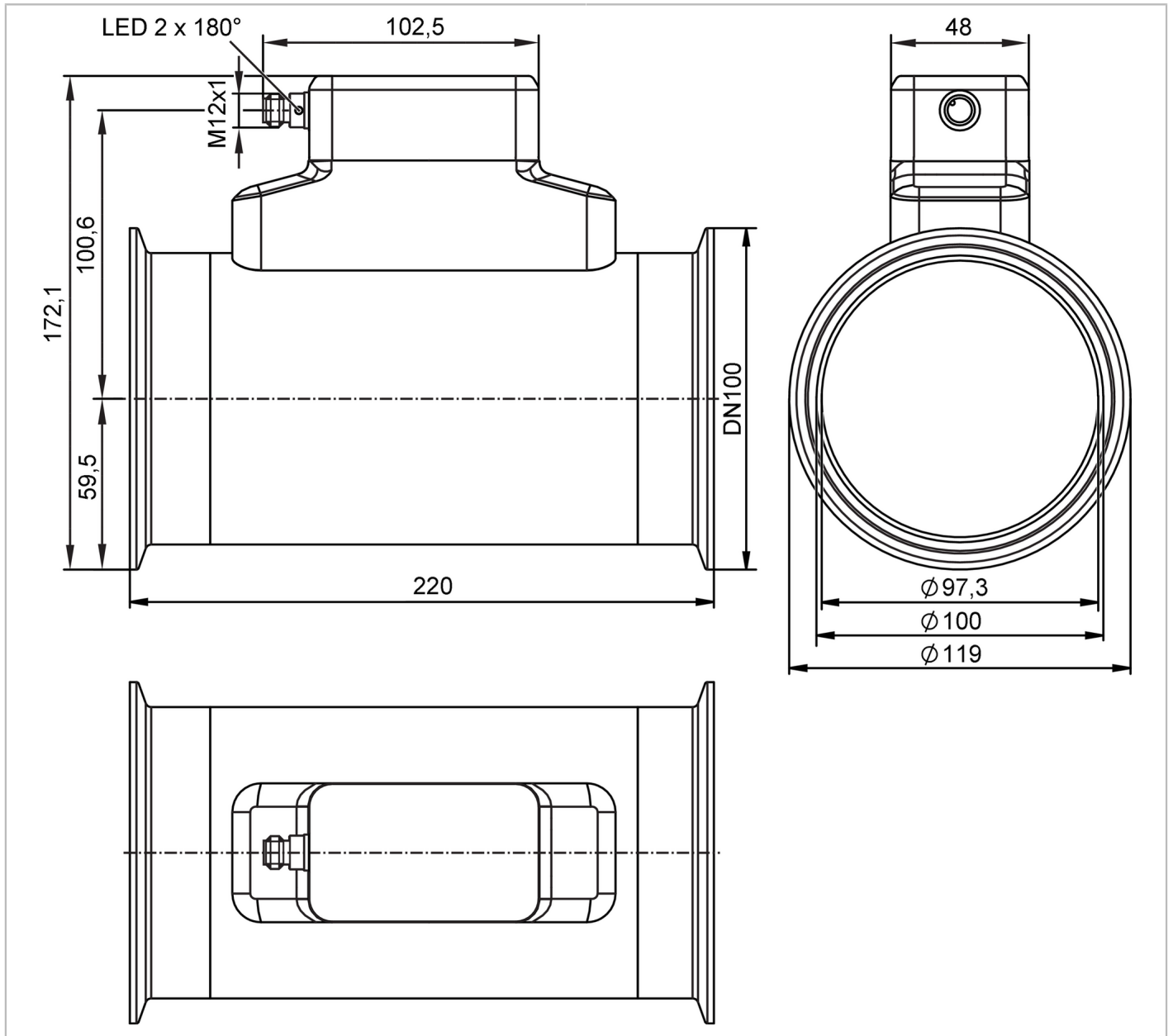


SUH720



Ultrasonic flow meter

SUCX0XJBFKRG/US



ACS



EC 1935/2004

FCM



IO-Link

KTW/W270 Reg31

Product characteristics

Measuring range	45...6000 l/min	2.7...360 m³/h	714...95102 gph	11.9...1585 gpm
Nominal diameter	DN100 (4")			
Process connection	Clamp DN100 DIN 32676 series A			

Application

Special feature	gold-plated contacts			
Application	food and beverage industry			
Media	ultra-pure water; water; water-based media			
Note on media	water-based media: for media with >10 % additives, the repeatability is the only available value			
Medium temperature [°C]	-40...120; (< 1 h: 150)			
Min. burst pressure	40 bar	4 MPa		

SUH720



Ultrasonic flow meter

SUCX0XJBFKRG/US

Pressure rating	25 bar	2.5 MPa
Note on pressure rating	take into account the pressure resistance of the bracket and the seal used for clamp connection	
Vacuum resistance [mbar]	-1000	

Electrical data		
Operating voltage [V]	18...32 DC; (to SELV/PELV)	
Current consumption [mA]	< 75	
Protection class	III	
Reverse polarity protection	yes	
Power-on delay time [s]	5	
Measuring principle	ultrasonic	

Inputs / outputs	
Total number of inputs and outputs	2

Inputs		
Inputs	OUT2	counter reset

Outputs		
Total number of outputs	2	
Output signal	OUT1	switching signal; pulse signal; diagnostic signal; totalizer switching signal; frequency signal; IO-Link
	OUT2	switching signal; pulse signal; diagnostic signal; totalizer switching signal; analog signal
Electrical design	PNP/NPN	
Pulse output	flow rate meter	
Short-circuit protection	yes	
Type of short-circuit protection	yes (non-latching)	
Overload protection	yes	

Analog		
Number of analog outputs	1	
Analog current output [mA]	4...20	
Max. load [Ω]	500	

Digital		
Number of digital outputs	2	
Output function	normally open / closed; (configurable)	
Max. voltage drop switching output DC [V]	2	
Permanent current rating of switching output DC [mA]	100	
Switching frequency DC [Hz]	0...10000	

Measuring/setting range				
Measuring range	45...6000 l/min	2.7...360 m³/h	714...95102 gph	11.9...1585 gpm
Resolution	0.1 l/min	0.001 m³/h	1 gph	0.01 gpm
Note on factory setting	l/min, °C			
Set point SP	78...6000 l/min	4.7...360 m³/h	1236...95102 gph	20.6...1585 gpm

SUH720



Ultrasonic flow meter

SUCX0XJBFKRG/US

Reset point rP	46.8...5968.8 l/min	2.8...358.1 m ³ /h	742...94607 gph	12.4...1576.8 gpm
Analog start point ASP	-6000...4800 l/min	-360...288 m ³ /h	-95102...76082 gph	-1585...1268 gpm
Analog end point AEP	-4800...6000 l/min	-288...360 m ³ /h	-76082...95102 gph	-1268...1585 gpm
Low flow cut-off LFC	45...300 l/min	2.7...18 m ³ /h	713...4755 gph	11.9...79.3 gpm
Frequency end point, FEP	1203.7...6000 l/min	72.2...360 m ³ /h	19079...95102 gph	318...1585 gpm
Frequency at the end point FRP [Hz]	1...10000			
Volumetric flow quantity monitoring				
Pulse length [s]	0.002...2			
Pulse value	0.1...99990000 l; 0.026...26414563.515 gal			
Temperature monitoring				
Measuring range	-40...120 °C		-40...248 °F	
Resolution	0.1 °C		0.1 °F	
Set point SP	-39.4...120 °C		-39...248 °F	
Reset point rP	-40...119.4 °C		-40...247 °F	
Analog start point	-40...88 °C		-40...190.4 °F	
Analog end point	-8...120 °C		17.6...248 °F	
Frequency start point, FSP	-40...88 °C		-40...190.4 °F	
Frequency end point, FEP	-8...120 °C		17.6...248 °F	
Frequency at the end point FRP [Hz]	1...10000			
Accuracy / deviations				
Accuracy (in the measuring range)	only up to 100 °C; at higher temperatures, only the repeatability is within the specification.			
Flow monitoring				
Accuracy (in the measuring range)	water	± (2,0 % MW + 0,5 % MEW)		
Repeatability	± 0,2 % MEW			
Temperature monitoring				
Accuracy [K]	± 2,5 (Q > 5 % MEW)			
Temperature coefficient [% of the span / 10 K]	0,2			
Reaction times				
Flow monitoring				
Response time [s]	< 0.5; (dAP = 0, T09)			
Damping process value dAP [s]	0...5			
Temperature monitoring				
Dynamic response T05 / T09 [s]	5,7 / 86			
Software / programming				
Diagnostic functions	direction of flow detection; signal quality			
Interfaces				
Communication interface	IO-Link			
Transmission type	COM2 (38,4 kBaud)			
IO-Link revision	1.1.3			
SDCI standard	IEC 61131-9: 2013-07			

SUH720



Ultrasonic flow meter

SUCX0XJBFRKG/US

Profiles	BLOB	Binary Large Object transfer
	Common - I&D	Identification and Diagnosis
Required master port class		A
Process data analog		3
Process data binary		2
Min. process cycle time [ms]		9.6
IO-Link process data (cyclical)	Function	bit length
	totalizer	32
	Flow monitoring	32
	Temperature monitoring	32
	status	4
	Output 1	1
	Output 2	1
Supported DeviceIDs	Type of operation	DeviceID
	default	1858

Operating conditions

Ambient temperature [°C]	-20...60
Storage temperature [°C]	-25...80
Protection	IP 69; (DIN EN 60529)

Tests / approvals

EMC	DIN 61326-1:2021	
Shock resistance	DIN IEC 68-2-27	20 g (11ms)
Vibration resistance	DIN IEC 68-2-6	20 g (10...2000Hz)
MTTF [years]		136
UL approval	UL approval number	I038
	File number UL	E174189
Pressure equipment directive	can be used for group 2 fluids; group 1 fluids on request	

Mechanical data

Weight [g]	2328.25
Housing	rectangular
Inlet pipe length	15 x DN
Outlet pipe length	3 x DN
Dimensions [mm]	220 x 119 x 172.1
Material	housing: stainless steel (1.4404 / 316L); connector: PEI, FKM
Materials (wetted parts)	Pipe section: stainless steel (1.4435 / 316L); Process connection: stainless steel (1.4404 / 316L)
Nominal diameter	DN100 (4")
Process connection	Clamp DN100 DIN 32676 series A
Process connection suitable for pipe standard	DN100 / Ø 104 mm x 2 mm; (DIN 11866 series A); (DIN EN 10357 series A)
Surface characteristics Ra/Rz of the wetted parts	Ra < 0.4 µm (16 µin); Rz = 4 µm (157 µin)

Displays / operating elements

Display	operating status	1 x LED, green
---------	------------------	----------------

Accessories

Items supplied	package insert
----------------	----------------

SUH720



Ultrasonic flow meter

SUCX0XJBFRKG/US

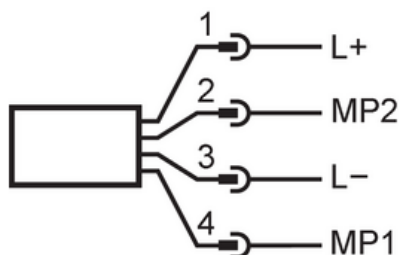
Remarks	
Remarks	MW = Measured value MEW = Final value of the measuring range pulse and totalizer signal are only available for one of the two outputs the specified surface characteristics Ra/Rz of the wetted surfaces do not apply to the weld seam.
Pack quantity	1 pcs.

Electrical connection - plug

Connector: 1 x M12; coding: A; Contacts: 4, gold-plated



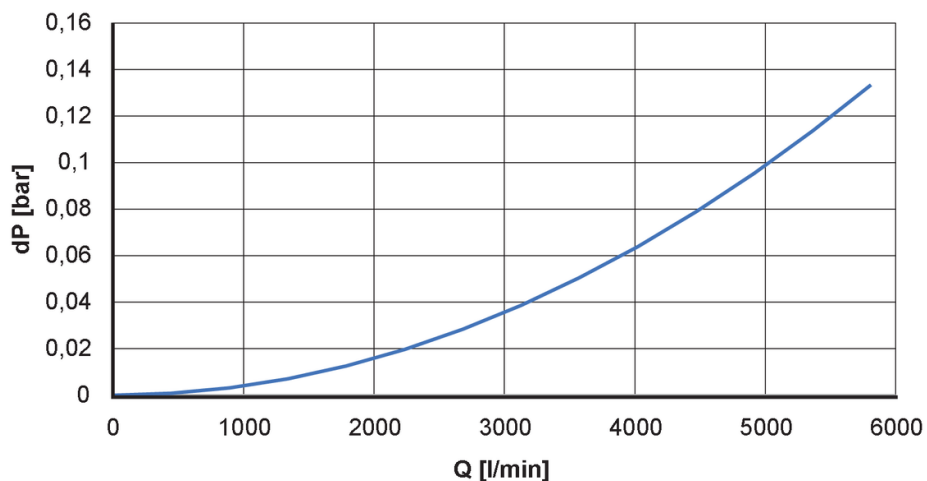
Connection



1 (L+)	L+	
2 (OUT2)	MP2	DO2, AO, DI
3 (L-)	L-	
4 (OUT1)	MP1	DO1, FO, IO-Link

AO: analog output; DI: digital input; DO: digital output; FO: Frequency output; MP: multi-function connection

Diagrams and graphs



dP Pressure loss [bar]
Q [l/min] volumetric flow quantity