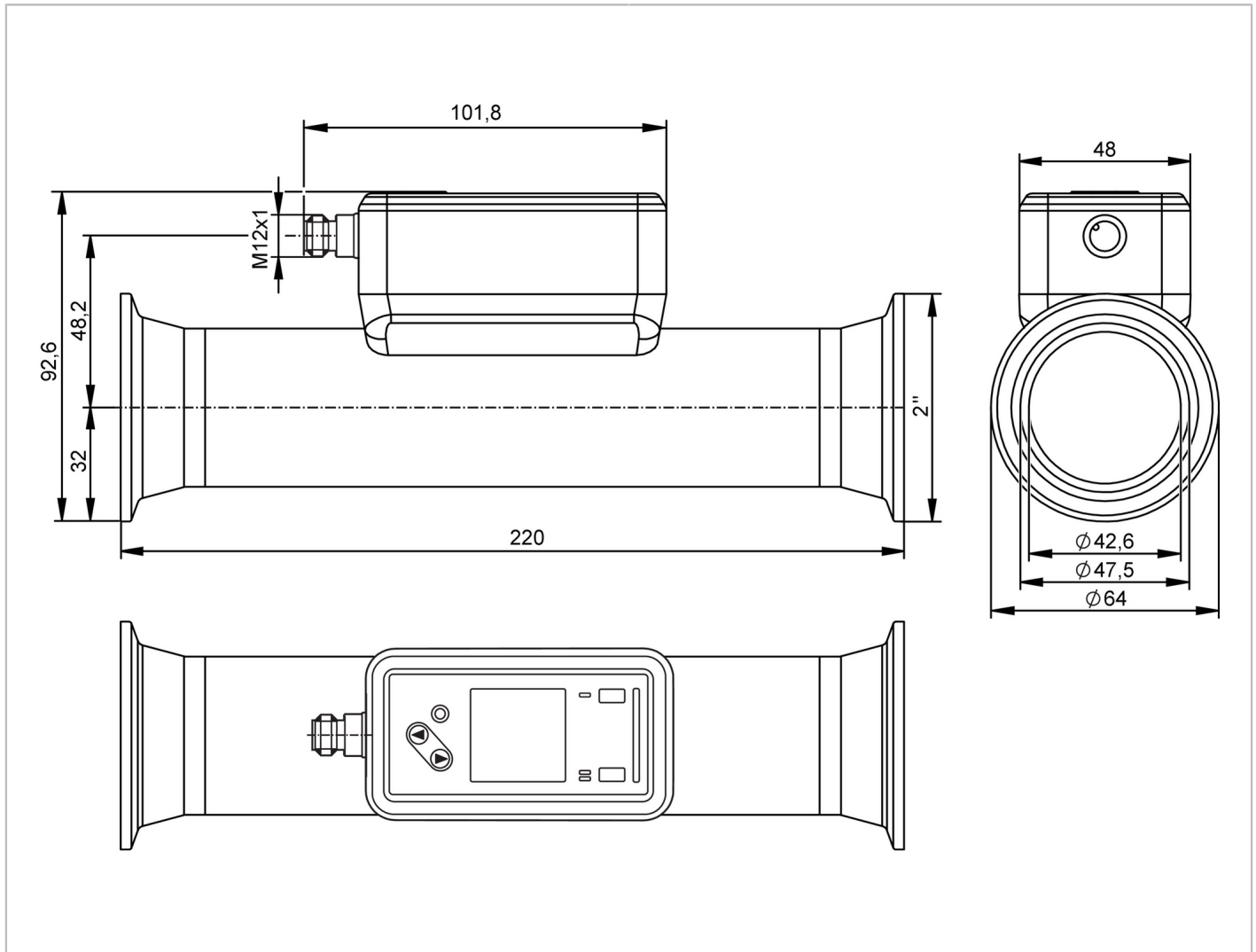


SUH400



Ultrasonic flow meter

SUC501JBFRKG/US



ACS



EC 1935/2004

FCM



KTW/W270



Reg31



Reg31

Product characteristics

Measuring range	5...1000 l/min	300...60000 l/h	0.058...11.666 m/s	0.3...60 m³/h
Nominal diameter	DN50 (2")			
Process connection	Clamp 2" DIN 32676 series C (ASME BPE)			

Application

Special feature	gold-plated contacts			
Media	ultra-pure water; water; water-based media; edible oils			
Note on media	water-based media: for media with >10 % additives, the repeatability is the only available value edible oils: palm oil, soy oil, rapeseed oil, sunflower oil, peanut oil, olive oil and others			
Medium temperature [°C]	-20...100			
Min. burst pressure	75 bar	7.5 MPa		
Pressure rating	25 bar	2.5 MPa		
Note on pressure rating	take into account the pressure resistance of the bracket and the seal used for clamp connection			
Vacuum resistance [mbar]	-1000			

SUH400



Ultrasonic flow meter

SUC501JBFRKG/US

Electrical data					
Operating voltage	[V]	18...32 DC; (to SELV/PELV)			
Current consumption	[mA]	< 75			
Protection class		III			
Reverse polarity protection		yes			
Power-on delay time	[s]	5			
Measuring principle		ultrasonic			
Inputs / outputs					
Total number of inputs and outputs		2			
Inputs					
Inputs		OUT2		counter reset	
Outputs					
Total number of outputs		2			
Output signal		OUT1		switching signal; pulse signal; diagnostic signal; totalizer switching signal; frequency signal; IO-Link	
		OUT2		switching signal; pulse signal; diagnostic signal; totalizer switching signal; analog signal	
Electrical design		PNP/NPN			
Min. load resistance	[Ω]	2000			
Pulse output		flow rate meter			
Short-circuit protection		yes			
Type of short-circuit protection		yes (non-latching)			
Overload protection		yes			
Analog					
Number of analog outputs		1			
Analog current output	[mA]	4...20			
Max. load	[Ω]	500			
Digital					
Number of digital outputs		2			
Output function		normally open / closed; (configurable)			
Max. voltage drop switching output DC	[V]	2			
Permanent current rating of switching output DC	[mA]	100			
Switching frequency DC	[Hz]	0...10000			
Measuring/setting range					
Measuring range		5...1000 l/min	300...60000 l/h	0.058...11.666 m/s	0.3...60 m³/h
Display range		-1200...1200 l/min	-72000...72000 l/h	-13.999...13.999 m/s	-72...72 m³/h
Resolution		0.1 l/min	1 l/h	0.001 m/s	0.002 m³/h
Set point SP		10.5...1000 l/min	630...60000 l/h	0.122...11.666 m/s	0.63...60 m³/h
Reset point rP		5.3...994.8 l/min	318...59688 l/h	0.062...11.605 m/s	0.318...59.688 m³/h
Analog start point ASP		-1000...800 l/min	-60000...48000 l/h	-11.666...9.333 m/s	-60...48 m³/h
Analog end point AEP		-800...1000 l/min	-48000...60000 l/h	-9.333...11.666 m/s	-48...60 m³/h

SUH400



Ultrasonic flow meter

SUC50JBFRKG/US

Low flow cut-off LFC	5...50 l/min	300...3000 l/h	0.058...0.583 m/s	0.3...3 m³/h
Frequency end point, FEP	200.6...1000 l/min	12037...60000 l/h	2.34...11.666 m/s	12.037...60 m³/h
Frequency at the end point FRP [Hz]	1...10000			
Volumetric flow quantity monitoring				
Pulse length [s]	0.002...2			
Pulse value	0.1...99990000 l			
Temperature monitoring				
Measuring range [°C]	-20...100			
Display range [°C]	-44...124			
Resolution [°C]	0.1			
Set point SP [°C]	-19.6...100			
Reset point rP [°C]	-20...99.6			
Analog start point [°C]	-20...76			
Analog end point [°C]	4...100			
Frequency start point, FSP [°C]	-20...76			
Frequency end point, FEP [°C]	4...100			
Frequency at the end point FRP [Hz]	1...10000			

Accuracy / deviations

Flow monitoring				
Accuracy (in the measuring range)	edible oils	± (5,0 % MW + 1,0 % MEW)		
	water	± (1,0 % MW + 0,5 % MEW)		
Repeatability	± 0,2 % MEW			
Temperature monitoring				
Accuracy [K]	± 2,5 (Q > 5 % MEW)			
Temperature coefficient [% of the span / 10 K]	0,2			

Reaction times

Flow monitoring				
Response time [s]	< 0.25; (dAP = 0, T09)			
Damping process value dAP [s]	0...5			
Temperature monitoring				
Dynamic response T05 / T09 [s]	5,7 / 86			

Software / programming

Diagnostic functions	direction of flow detection; signal quality			
----------------------	---	--	--	--

Interfaces

Communication interface	IO-Link			
Transmission type	COM2 (38,4 kBaud)			
IO-Link revision	1.1.3			
SDCI standard	IEC 61131-9: 2013-07			
Profiles	BLOB	Binary Large Object transfer		
	Common - I&D	Identification and Diagnosis		
Required master port class	A			

SUH400



Ultrasonic flow meter

SUC501JBFKRG/US

Process data analog		3
Process data binary		2
Min. process cycle time	[ms]	9.6
IO-Link process data (cyclical)	Function	bit length
	totalizer	32
	Flow monitoring	32
	Temperature monitoring	32
	status	4
	Output 1	1
	Output 2	1
Supported DeviceIDs	Type of operation	DeviceID
	default	1752

Operating conditions

Ambient temperature	[°C]	-20...60
Storage temperature	[°C]	-25...80
Protection		IP 69K

Tests / approvals

EMC	DIN 61326-1:2021	
CPA approval	model number	003US
	accuracy class	1,5
Shock resistance	DIN IEC 68-2-27	20 g (11ms)
Vibration resistance	DIN IEC 68-2-6	20 g (10...2000Hz)
MTTF	[years]	160
UL approval	UL approval number	I033
	File number UL	E174189
Pressure equipment directive	can be used for group 2 fluids; group 1 fluids on request	

Mechanical data

Weight	[g]	933
Housing		rectangular
Inlet pipe length		5 x DN
Outlet pipe length		1 x DN
Dimensions	[mm]	220 x 63.9 x 92.6
Material		housing: stainless steel (1.4404 / 316L); Display: PFA; sealing Display: FKM; connector: PBT
Materials (wetted parts)		Pipe section: stainless steel (1.4404 / 316L)
Nominal diameter		DN50 (2")
Process connection		Clamp 2" DIN 32676 series C (ASME BPE)
Process connection suitable for pipe standard		2" / Ø 50,8 mm x 1,65 mm (DIN 11866 series C); (DIN EN 10357 Series D)
Surface characteristics Ra/Rz of the wetted parts		Ra < 0.4 µm

Displays / operating elements

Display		Color display 1,44", 128 x 128 pixels
	Switching function	2 x LED, yellow
	diagnosis	1 x LED, three-color

SUH400



Ultrasonic flow meter

SUC501JBFRKG/US

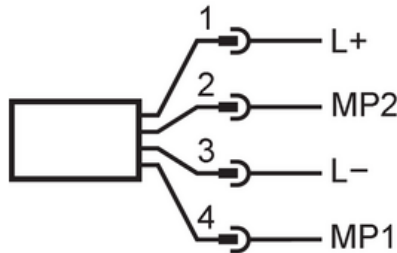
Remarks	
Remarks	MW = Measured value
	MEW = Final value of the measuring range
	pulse and totalizer signal are only available for one of the two outputs
	the accuracy indications are adhered to over the entire application area
Pack quantity	the specified Ra surface characteristics of the wetted surfaces do not apply to the weld seam.
	1 pcs.

Electrical connection - plug

Connector: 1 x M12; coding: A; Contacts: 4, gold-plated



Connection

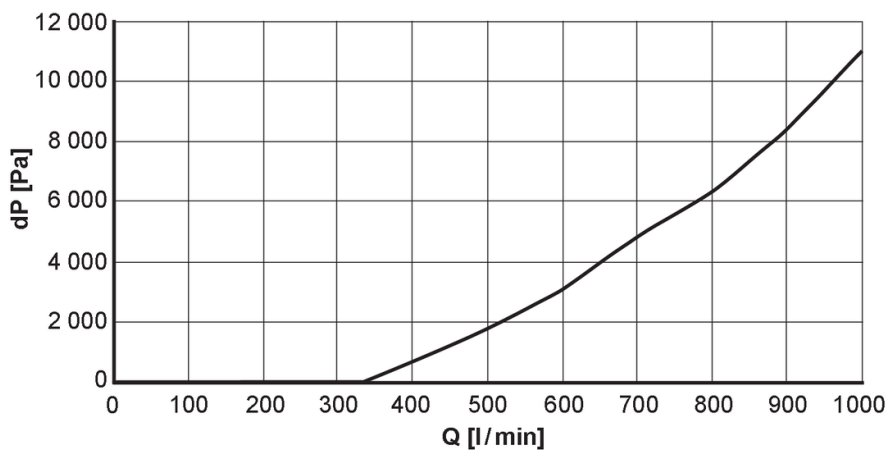


1 (L+)	L+	
2 (OUT2)	MP2	DO2, AO, DI
3 (L-)	L-	
4 (OUT1)	MP1	DO1, FO, IO-Link

AO: analog output; DI: digital input; DO: digital output; FO: Frequency output; MP: multi-function connection

Diagrams and graphs

Note on pressure loss



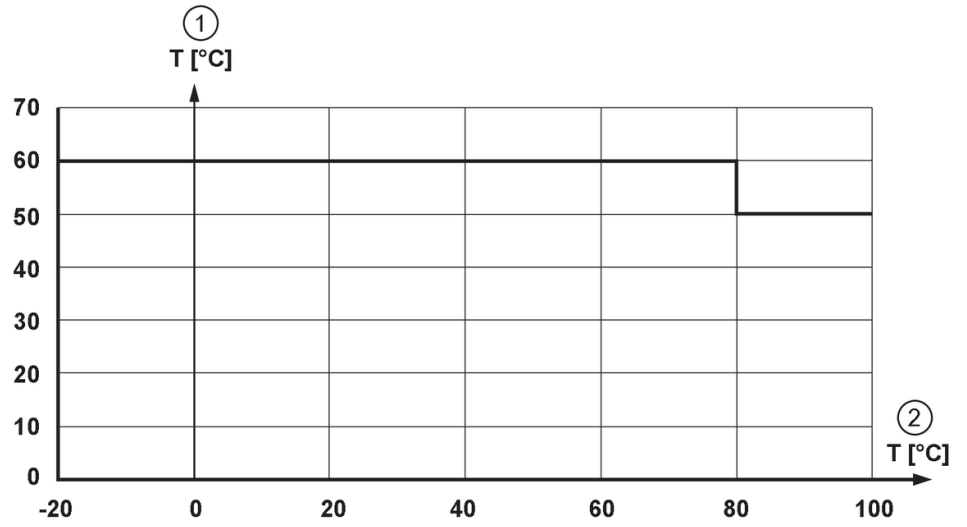
SUH400

Ultrasonic flow meter

SUC501JBFRKG/US



derating ambient temperature



- 1 Ambient temperature
- 2 Medium temperature