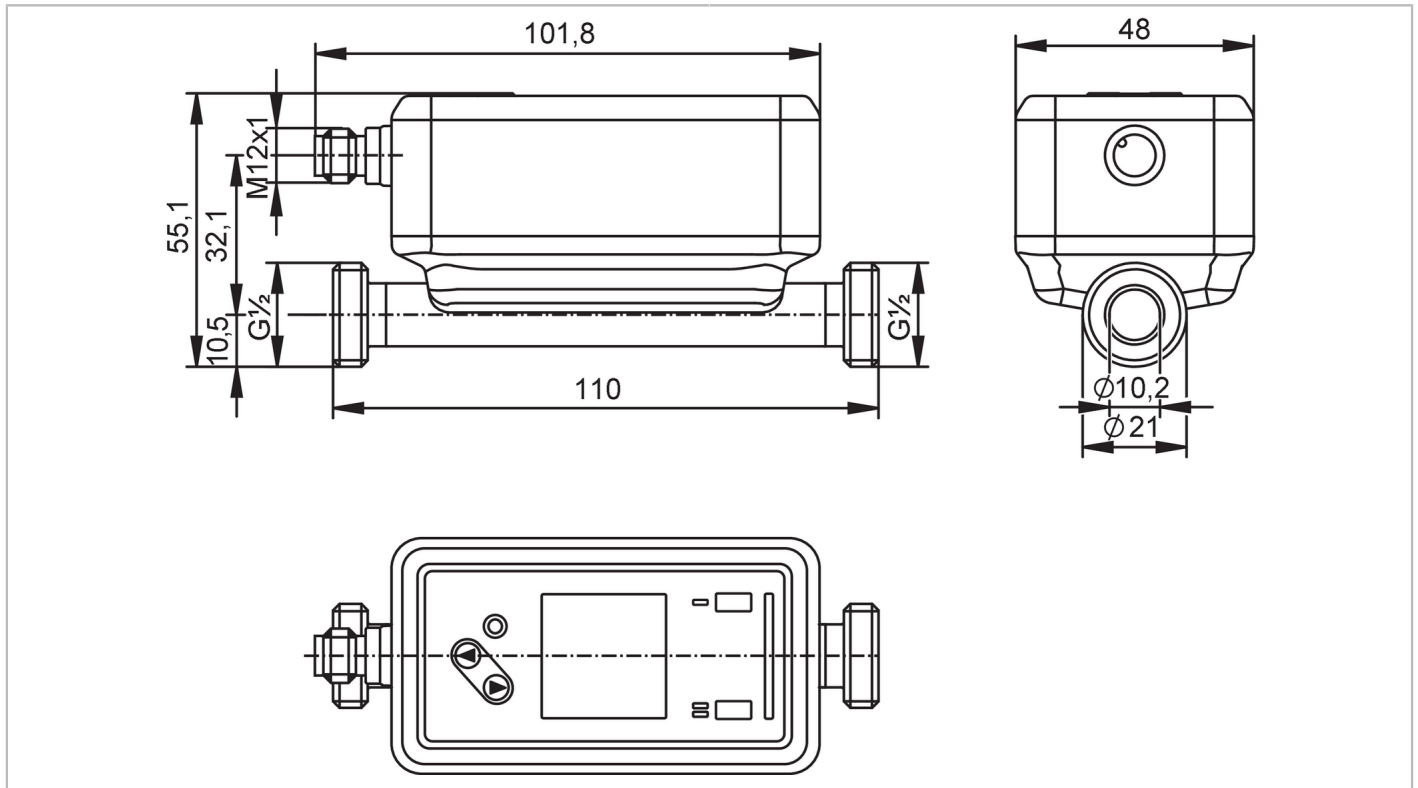


SU6030



Ultrasonic flow meter

SUR12XFBFRKG/US



ACS KTW/W270 Reg31

Product characteristics	
Measuring range	0.5...65 l/min 30...3900 l/h 0.104...13.521 m/s 0.03...3.9 m³/h
Process connection	threaded connection G 1/2 external thread DN15
Application	
Special feature	gold-plated contacts
Media	ultra-pure water; water; water-based media; glycol solutions; oils; Coolants
Note on media	water-based media: for media with >10 % additives, the repeatability is the only available value low-viscosity oils with viscosity: 7...40 mm²/s (40 °C) high-viscosity oils with viscosity: 30...68 mm²/s (40 °C)
Medium temperature [°C]	-20...100
Min. burst pressure	150 bar 15 MPa
Pressure rating	100 bar 10 MPa
Vacuum resistance [mbar]	-1000
Electrical data	
Operating voltage [V]	18...32 DC; (to SELV/PELV)
Current consumption [mA]	< 75
Protection class	III
Reverse polarity protection	yes
Power-on delay time [s]	5
Measuring principle	ultrasonic
Inputs	
Inputs	counter reset

SU6030



Ultrasonic flow meter

SUR12XFBFRKG/US

Outputs	
Total number of outputs	2
Output signal	switching signal; pulse signal; analog signal; IO-Link; frequency signal; diagnostic signal; totalizer switching signal
Electrical design	PNP/NPN
Output function	normally open / closed; (configurable)
Max. voltage drop switching output DC [V]	2
Permanent current rating of switching output DC [mA]	100
Switching frequency DC [Hz]	0...10000
Analog current output [mA]	4...20
Max. load [Ω]	500
Pulse output	flow rate meter
Short-circuit protection	yes
Type of short-circuit protection	yes (non-latching)
Overload protection	yes
Measuring/setting range	
Measuring range	0.5...65 l/min 30...3900 l/h 0.104...13.521 m/s 0.03...3.9 m³/h
Display range	-78...78 l/min -4680...4680 l/h -16.225...16.225 m/s -4.68...4.68 m³/h
Resolution	0.1 l/min 2 l/h 0.001 m/s 0.002 m³/h
Set point SP	0.9...65 l/min 52...3900 l/h 0.18...13.521 m/s 0.052...3.9 m³/h
Reset point rP	0.5...64.7 l/min 32...3880 l/h 0.111...13.452 m/s 0.032...3.88 m³/h
Analog start point ASP	-65...52 l/min -3900...3120 l/h -13.521...10.817 m/s -3.9...3.12 m³/h
Analog end point AEP	-52...65 l/min -3120...3900 l/h -10.817...13.521 m/s -3.12...3.9 m³/h
Low flow cut-off LFC	0.5...3.2 l/min 30...195 l/h 0.104...0.676 m/s 0.03...0.195 m³/h
Frequency end point, FEP	13...65 l/min 782...3900 l/h 2.713...13.521 m/s 0.782...3.9 m³/h
Frequency at the end point FRP [Hz]	1...10000
Volumetric flow quantity monitoring	
Pulse length [s]	0.002...2
Pulse value	0.02...99990000 l
Temperature monitoring	
Measuring range [°C]	-20...100
Display range [°C]	-44...124
Resolution [°C]	0.1
Set point SP [°C]	-19.6...100
Reset point rP [°C]	-20...99.6
Analog start point [°C]	-20...76
Analog end point [°C]	4...100
Frequency start point, FSP [°C]	-20...76
Frequency end point, FEP [°C]	4...100
Frequency at the end point FRP [Hz]	1...10000

SU6030



Ultrasonic flow meter

SUR12XFBFRKG/US

Accuracy / deviations		
Flow monitoring		
Accuracy (in the measuring range)	glycol solutions (35%)	$\pm(5,0 \% \text{ MW} + 0,5 \% \text{ MEW})$
	high-viscosity oils with viscosity 46mm ² /s (40°C)	$\pm(5,0 \% \text{ MW} + 1,0 \% \text{ MEW})$
	low-viscosity oils with viscosity 10mm ² /s (40°C)	$\pm(5,0 \% \text{ MW} + 1,0 \% \text{ MEW})$
	water	$\pm (2,0 \% \text{ MW} + 0,5 \% \text{ MEW})$
Repeatability	$\pm 0,2 \% \text{ MEW}$	
Temperature monitoring		
Accuracy [K]	$\pm 2,5 (Q > 5 \% \text{ MEW})$	
Temperature coefficient [% of the span / 10 K]	0,2	
Reaction times		
Flow monitoring		
Response time [s]	< 0.25; (dAP = 0, T09)	
Damping process value dAP [s]	0...5	
Temperature monitoring		
Dynamic response T05 / T09 [s]	5,7 / 86	
Software / programming		
Diagnostic functions	direction of flow detection; signal quality	
Interfaces		
Communication interface	IO-Link	
Transmission type	COM2 (38,4 kBaud)	
IO-Link revision	1.1.3	
SDCI standard	IEC 61131-9: 2013-07	
Profiles	BLOB	Binary Large Object transfer
	Common - I&D	Identification and Diagnosis
Required master port class	A	
Process data analog	3	
Process data binary	2	
Min. process cycle time [ms]	9.6	
IO-Link process data (cyclical)	Function	bit length
	totalizer	32
	Flow monitoring	32
	Temperature monitoring	32
	status	4
	Output 1	1
	Output 2	1
Supported DeviceIDs	Type of operation	DeviceID
	default	1754
Operating conditions		
Ambient temperature [°C]	-20...60	
Storage temperature [°C]	-25...80	
Protection	IP 65; IP 67	

SU6030



Ultrasonic flow meter

SUR12XFBFRKG/US

Tests / approvals	
EMC	DIN 61326-1:2021
Shock resistance	DIN IEC 68-2-27 20 g (11ms)
Vibration resistance	DIN IEC 68-2-6 20 g (10...2000Hz)
MTTF [years]	160
UL approval	UL approval number I034
Pressure equipment directive	can be used for group 2 fluids; group 1 fluids on request
Mechanical data	
Weight [g]	485.5
Housing	rectangular
Type of mounting	inlet pipe length 5xDN; outlet pipe length 1xDN
Dimensions [mm]	110 x 48 x 55.1
Material	housing: stainless steel (1.4404 / 316L); Display: PFA; sealing Display: FKM; connector: PBT
Materials (wetted parts)	Pipe section: stainless steel (1.4404 / 316L); Process connection sealing: NBR fiber-reinforced Gasket
Process connection	threaded connection G 1/2 external thread DN15
Surface characteristics Ra/Rz of the wetted parts	Ra < 1.25 µm
Displays / operating elements	
Display	Color display 1,44", 128 x 128 pixels
	Switching function 2 x LED, yellow
	diagnosis 1 x LED, three-color
Display unit	l/min; l/h; m³/h; m/s
Accessories	
Items supplied	Gasket 2, Centellen package insert
Remarks	
Remarks	MW = Measured value
	MEW = Final value of the measuring range
	pulse and totalizer signal are only available for one of the two outputs
	the accuracy indications are adhered to over the entire application area
Pack quantity	1 pcs.
Electrical connection	
Connector: 1 x M12; coding: A; Contacts: 4, gold-plated	

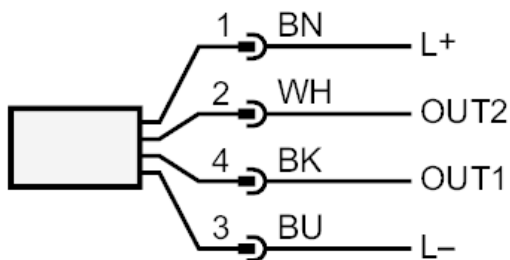
SU6030



Ultrasonic flow meter

SUR12XFBFRKG/US

Connection



OUT1/IO-Link: Switching output Volumetric flow quantity monitoring
Switching output Temperature monitoring
Pulse output quantity meter
Frequency output Volumetric flow quantity monitoring
Frequency output Temperature monitoring
Diagnostic output direction of flow detection / signal quality
signal output Preset counter

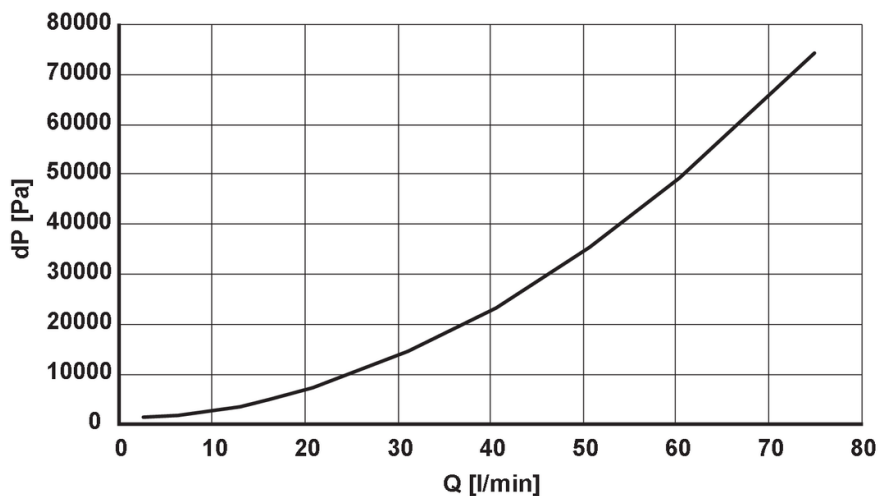
OUT2/InD: Switching output Volumetric flow quantity monitoring
Switching output Temperature monitoring
Pulse output quantity meter
analog output flow
analog output temperature
Diagnostic output direction of flow detection / signal quality
signal output Preset counter
Input counter reset

Colors to DIN EN 60947-5-2

Core colors BK= black
 BN= brown
 BU= blue
 WH= white

Diagrams and graphs

Note on pressure loss



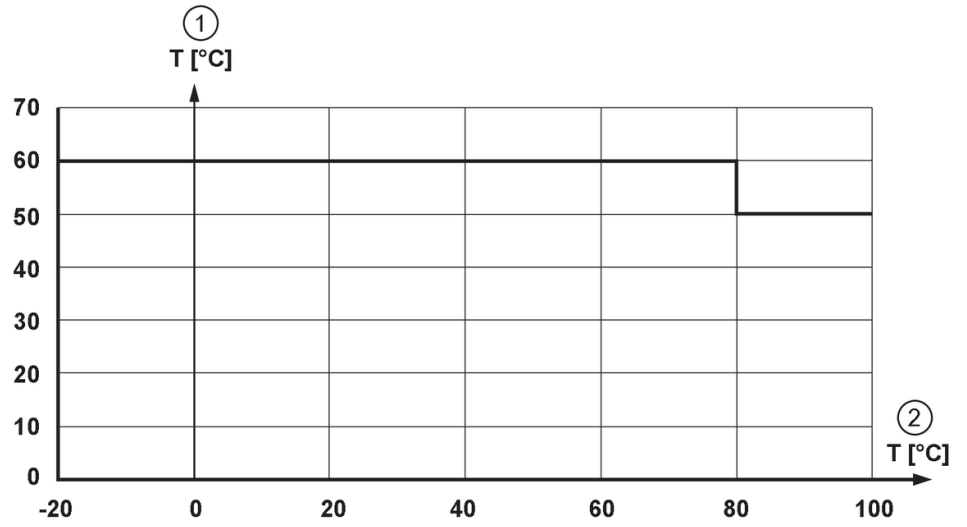
SU6030

Ultrasonic flow meter

SUR12XFBFRKG/US



derating ambient temperature



- 1 Ambient temperature
- 2 Medium temperature