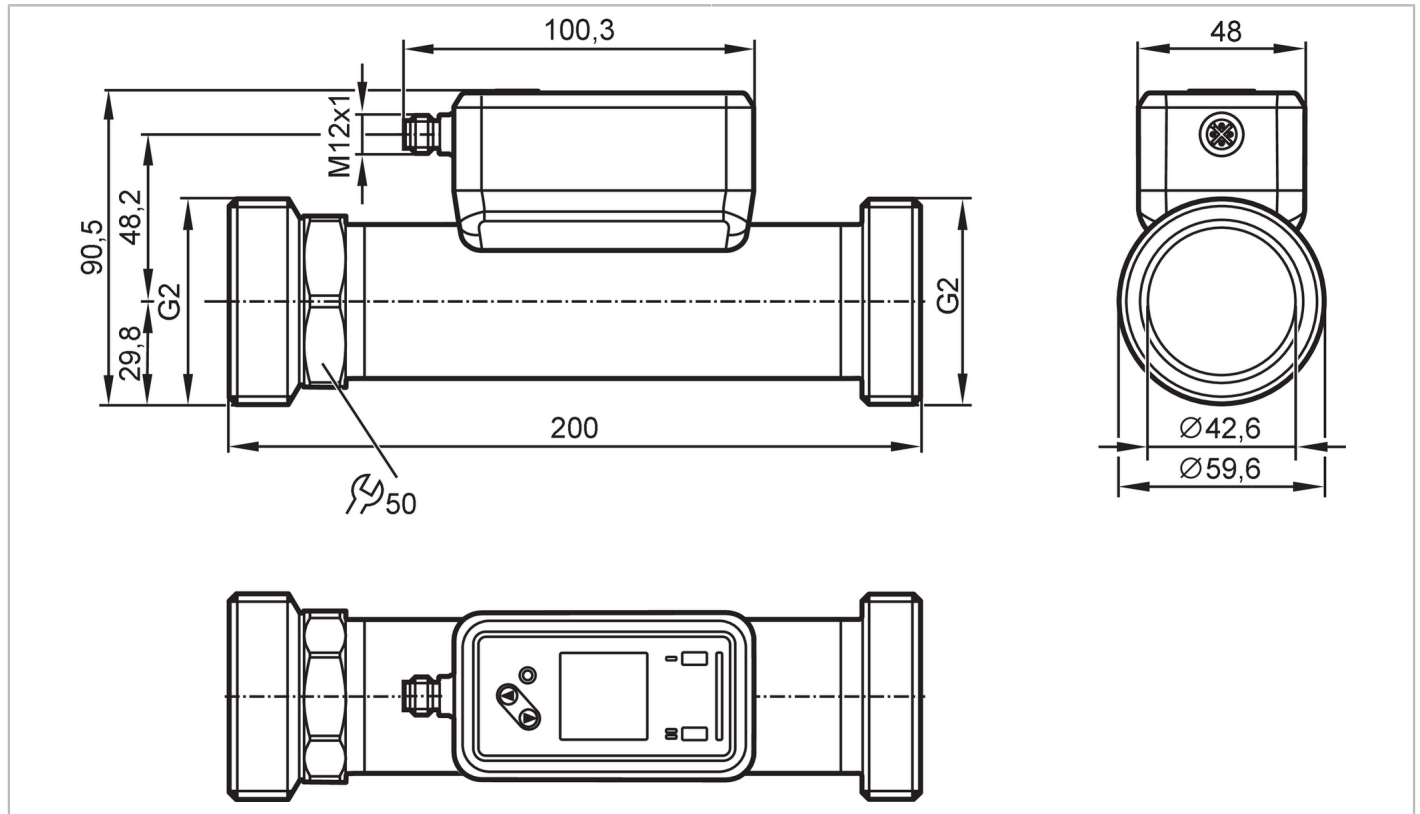


# SU2031



## Ultrasonic flow meter

SUR21XFBFRKG/US



ACS KTW/W270 Reg31

Product characteristics	
Measuring range	5...1000 l/min    0.3...60 m <sup>3</sup> /h    79...15850 gph    1.32...264.18 gpm
Process connection	threaded connection G 2 external thread DN50
Application	
Special feature	gold-plated contacts
Media	ultra-pure water; water; water-based media; glycol solutions; oils; Coolants
Note on media	water-based media: for media with >10 % additives, the repeatability is the only available value low-viscosity oils with viscosity: 7...40 mm <sup>2</sup> /s (40 °C) high-viscosity oils with viscosity: 30...68 mm <sup>2</sup> /s (40 °C)
Medium temperature	-20...100 °C    -4...212 °F
Min. burst pressure	150 bar    15 MPa
Pressure rating	100 bar    10 MPa
Vacuum resistance [mbar]	-1000
Electrical data	
Operating voltage [V]	18...32 DC; (to SELV/PELV)
Current consumption [mA]	< 75
Protection class	III
Reverse polarity protection	yes
Power-on delay time [s]	5
Measuring principle	ultrasonic

# SU2031



## Ultrasonic flow meter

SUR21XFBFRKG/US

Inputs				
Inputs	counter reset			
Outputs				
Total number of outputs	2			
Output signal	switching signal; pulse signal; analog signal; IO-Link; frequency signal; diagnostic signal; totalizer switching signal			
Electrical design	PNP/NPN			
Output function	normally open / closed; (configurable)			
Max. voltage drop switching output DC [V]	2			
Permanent current rating of switching output DC [mA]	100			
Switching frequency DC [Hz]	0...10000			
Analog current output [mA]	4...20			
Max. load [Ω]	500			
Pulse output	flow rate meter			
Short-circuit protection	yes			
Type of short-circuit protection	yes (non-latching)			
Overload protection	yes			
Measuring/setting range				
Measuring range	5...1000 l/min	0.3...60 m³/h	79...15850 gph	1.32...264.18 gpm
Display range	-1200...1200 l/min	-72...72 m³/h	-19020...19020 gph	-317...317 gpm
Resolution	0.1 l/min	0.001 m³/h	1 gph	0.01 gpm
Set point SP	10.5...1000 l/min	0.63...60 m³/h	166...15850 gph	2.77...264.17 gpm
Reset point rP	5.3...994.8 l/min	0.318...59.688 m³/h	84...15768 gph	1.4...262.8 gpm
Analog start point ASP	-1000...800 l/min	-60...48000 m³/h	-15850...12680 gph	-264.17...211.34 gpm
Analog end point AEP	-800...1000 l/min	-48...60 m³/h	-12680...15850 gph	-211.34...264.17 gpm
Low flow cut-off LFC	5...50 l/min	0.3...3 m³/h	79...793 gph	1.32...13.21 gpm
Frequency end point, FEP	200.6...1000 l/min	12.037...60 m³/h	3180...15850 gph	53...264.17 gpm
Frequency at the end point FRP [Hz]	1...10000			
Volumetric flow quantity monitoring				
Pulse length [s]	0.002...2			
Pulse value	0.1...99990000 l; 0.026...26414563.515 gal			
Temperature monitoring				
Measuring range	-20...100 °C		-4...212 °F	
Display range	-44...124 °C		-47.2...255.2 °F	
Resolution	0.1 °C		0.1 °F	
Set point SP	-19.6...100 °C		-3.2...212 °F	
Reset point rP	-20...99.6 °C		-4...211.2 °F	
Analog start point	-20...76 °C		-4...168.8 °F	
Analog end point	4...100 °C		39.2...212 °F	
Frequency start point, FSP	-20...76 °C		4...168.8 °F	
Frequency end point, FEP	4...100 °C		39.2...212 °F	
Frequency at the end point FRP [Hz]	1...10000			



## Ultrasonic flow meter

SUR21XFBFRKG/US


Accuracy / deviations		
Flow monitoring		
Accuracy (in the measuring range)	glycol solutions (35%)	$\pm(5,0 \% \text{ MW} + 0,5 \% \text{ MEW})$
	high-viscosity oils with viscosity 46mm <sup>2</sup> /s (40°C)	$\pm(5,0 \% \text{ MW} + 0,5 \% \text{ MEW})$
	low-viscosity oils with viscosity 10mm <sup>2</sup> /s (40°C)	$\pm(5,0 \% \text{ MW} + 0,5 \% \text{ MEW})$
	water	$\pm (1,0 \% \text{ MW} + 0,5 \% \text{ MEW})$
Repeatability	$\pm 0,2 \% \text{ MEW}$	
Temperature monitoring		
Accuracy [K]	$\pm 2,5 (Q > 5 \% \text{ MEW})$	
Temperature coefficient [% of the span / 10 K]	0,2	
Reaction times		
Flow monitoring		
Response time [s]	< 0.25; (dAP = 0, T09)	
Damping process value dAP [s]	0...5	
Temperature monitoring		
Dynamic response T05 / T09 [s]	5,7 / 86	
Software / programming		
Diagnostic functions	direction of flow detection; signal quality	
Interfaces		
Communication interface	IO-Link	
Transmission type	COM2 (38,4 kBaud)	
IO-Link revision	1.1.3	
SDCI standard	IEC 61131-9: 2013-07	
Profiles	BLOB	Binary Large Object transfer
	Common - I&D	Identification and Diagnosis
Required master port class	A	
Process data analog	3	
Process data binary	2	
Min. process cycle time [ms]	9.6	
IO-Link process data (cyclical)	<b>Function</b>	<b>bit length</b>
	totalizer	32
	Flow monitoring	32
	Temperature monitoring	32
	status	4
	Output 1	1
	Output 2	1
Supported DeviceIDs	<b>Type of operation</b>	<b>DeviceID</b>
	default	1763
Operating conditions		
Ambient temperature [°C]	-20...60	
Storage temperature [°C]	-25...80	
Protection	IP 65; IP 67	

# SU2031



## Ultrasonic flow meter

SUR21XFBFRKG/US

Tests / approvals	
EMC	DIN 61326-1:2021
Shock resistance	DIN IEC 68-2-27 20 g (11ms)
Vibration resistance	DIN IEC 68-2-6 20 g (10...2000Hz)
MTTF [years]	160
UL approval	UL approval number I033
Pressure equipment directive	can be used for group 2 fluids; group 1 fluids on request
Mechanical data	
Weight [g]	1140.6
Housing	rectangular
Type of mounting	inlet pipe length 5xDN; outlet pipe length 1xDN
Dimensions [mm]	200 x 59.6 x 90.5
Material	housing: stainless steel (1.4404 / 316L); Display: PFA; sealing Display: FKM; connector: PBT
Materials (wetted parts)	Pipe section: stainless steel (1.4404 / 316L); Process connection sealing: NBR fiber-reinforced Gasket
Process connection	threaded connection G 2 external thread DN50
Surface characteristics Ra/Rz of the wetted parts	Ra < 1.25 µm
Displays / operating elements	
Display	Color display 1,44", 128 x 128 pixels
	Switching function 2 x LED, yellow
	diagnosis 1 x LED, three-color
Display unit	l/min; l/h; m³/h; m/s; gpm; gph; ft/s; oz/min
Accessories	
Items supplied	Gasket 2, Centellen package insert
Remarks	
Remarks	MW = Measured value
	MEW = Final value of the measuring range
	pulse and totalizer signal are only available for one of the two outputs
	the accuracy indications are adhered to over the entire application area
Pack quantity	1 pcs.
Electrical connection	
Connector: 1 x M12; coding: A; Contacts: 4, gold-plated	
	

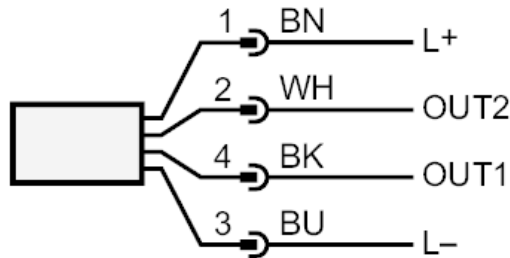
# SU2031



## Ultrasonic flow meter

SUR21XFBFRKG/US

### Connection



OUT1/IO-Link: Switching output Volumetric flow quantity monitoring  
Switching output Temperature monitoring  
Pulse output quantity meter  
Frequency output Volumetric flow quantity monitoring  
Frequency output Temperature monitoring  
signal output Preset counter

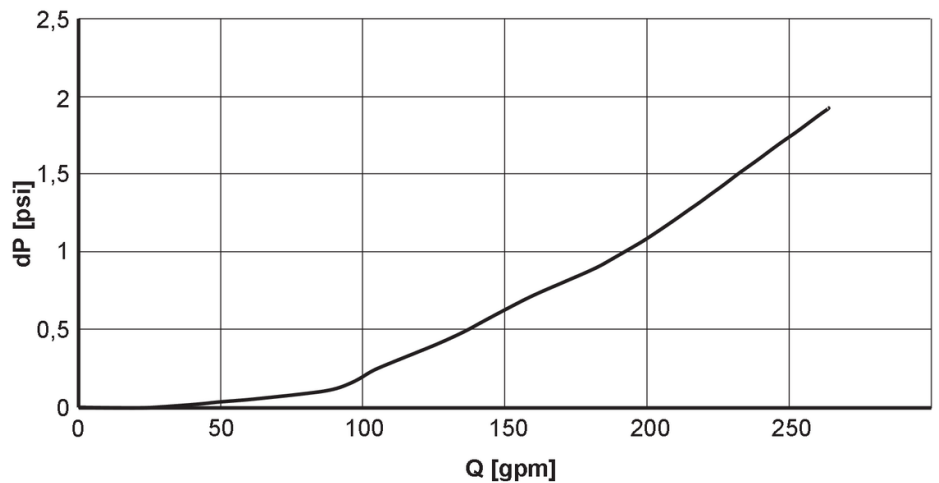
OUT2/InD: Switching output Volumetric flow quantity monitoring  
Switching output Temperature monitoring  
Pulse output quantity meter  
analog output flow  
analog output temperature  
signal output Preset counter  
Input counter reset

Colors to DIN EN 60947-5-2

Core colors  
BK= black  
BN= brown  
BU= blue  
WH= white

### Diagrams and graphs

Note on pressure loss



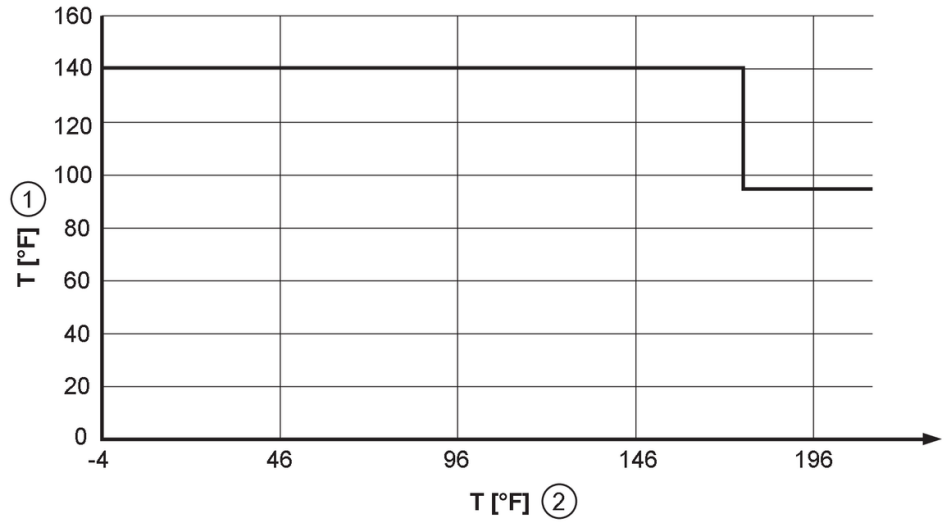
# SU2031

## Ultrasonic flow meter

SUR21XFBFRKG/US



derating ambient temperature



- 1 Ambient temperature
- 2 Medium temperature