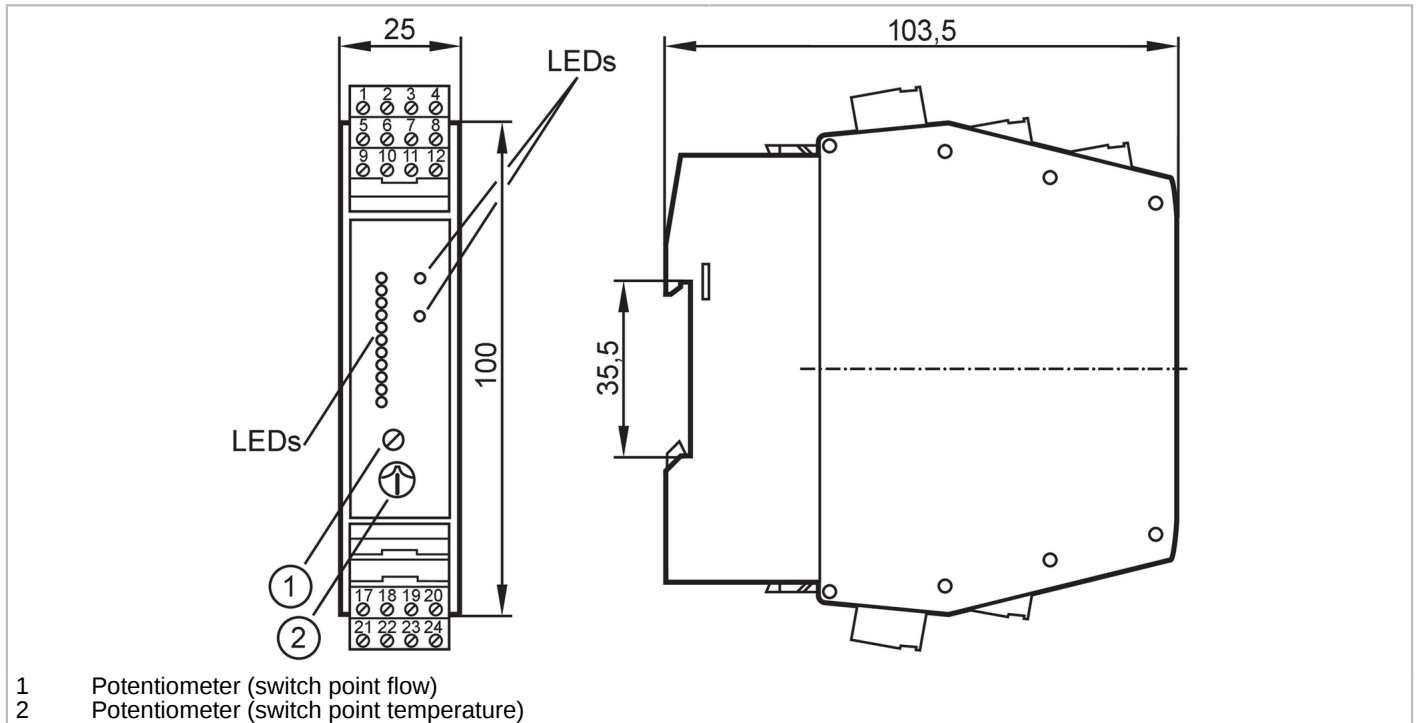


SR0150



Control monitor for flow sensors

VS3000/24VDC



Application	
Application	Flow monitoring; Temperature monitoring; Wire break monitoring
Electrical data	
Operating voltage tolerance [%]	-20...10
Operating voltage [V]	24 DC
Current consumption [mA]	90
Protection class	III
Reverse polarity protection	no
Power-on delay time [s]	10...80; (adjustable (fixed-value resistors terminals 22-23))
Number of channels	1
Outputs	
Performance in case of a fault	In case of undervoltage all relays are de-energized, the LED "LOW VOLTAGE/WIRE BREAK-RELAY" lights
Electrical design	Relay
Contact rating	4 A (250 V AC / 30 V DC)
Switching function flow monitoring	relay energized when flow is present and during the power-on delay time
Switching function temperature monitoring	relay energized when temperature is exceeded
Switching function wire break monitoring	relay de-energized in case of wire-break or short circuit
Short-circuit proof	no
Overload protection	no
Reaction times	
Response time [s]	< 3

SR0150



Control monitor for flow sensors

VS3000/24VDC

Software / programming		
Adjustment of the switch point		potentiometer
Selection liquids / gases		wire bridge; on delivery: monitoring of liquids.; for monitoring of gases: link terminals 23 / 24.
Switch point setting		potentiometer
Temperature range	[°C]	0...80
Repeatability switch point / measured value	[K]	4
Operating conditions		
Ambient temperature	[°C]	-20...60
Note on ambient temperature		in case of sufficient free space for convection cooling
Protection		IP 20
Tests / approvals		
MTTF	[years]	263
Mechanical data		
Weight	[g]	237.5
Housing		rectangular
Type of mounting		Mounting on DIN rail; (TH35 (EN 60715))
Dimensions	[mm]	100 x 25 x 103.5
Material		housing: PBT
Displays / operating elements		
Display	Function	11 x LED
	Switching status	LED, red
	Switching status	LED, red
Electrical connection		
Required protection		miniature fuse to IEC60127-2 sheet 1; ≤ 5 A; fast acting
Remarks		
Remarks		Recommendation Check the safe functioning of the unit after a short circuit.
Pack quantity		1 pcs.

SR0150



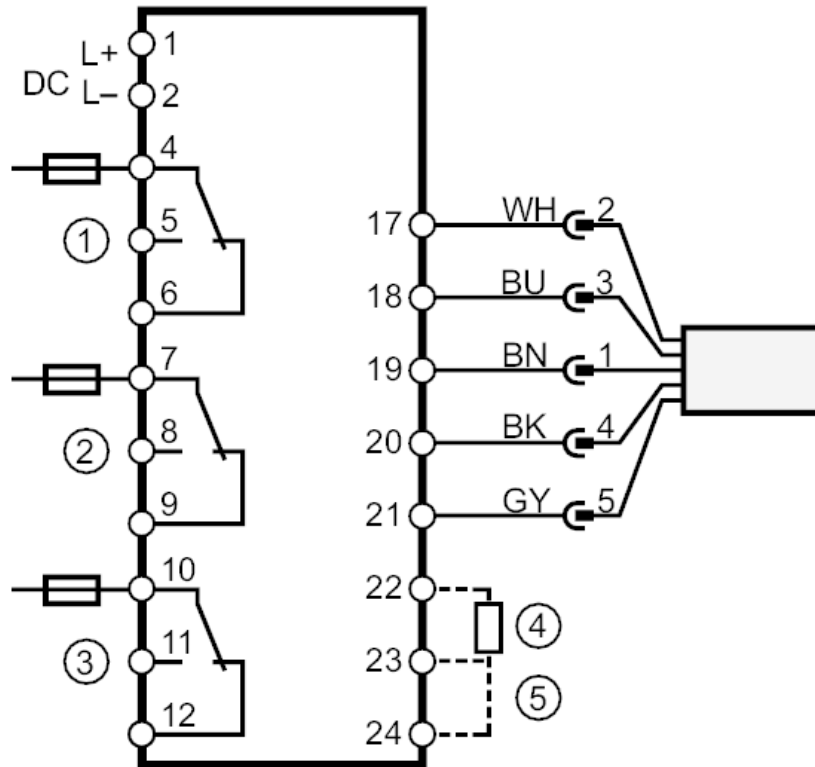
Control monitor for flow sensors

VS3000/24VDC

Electrical connection

Combicon connector:

Connection



- 1 = Flow monitoring
2 = Wire break monitoring
3 = Temperature monitoring
4 = External resistor to set the power-on delay time
5 = Link to monitor gaseous media
Note miniature fuse to IEC60127-2 sheet 1 ≤ 5 A fast acting
Core colors :
BN = brown
BU = blue
BK = black
WH = white
GY = grey