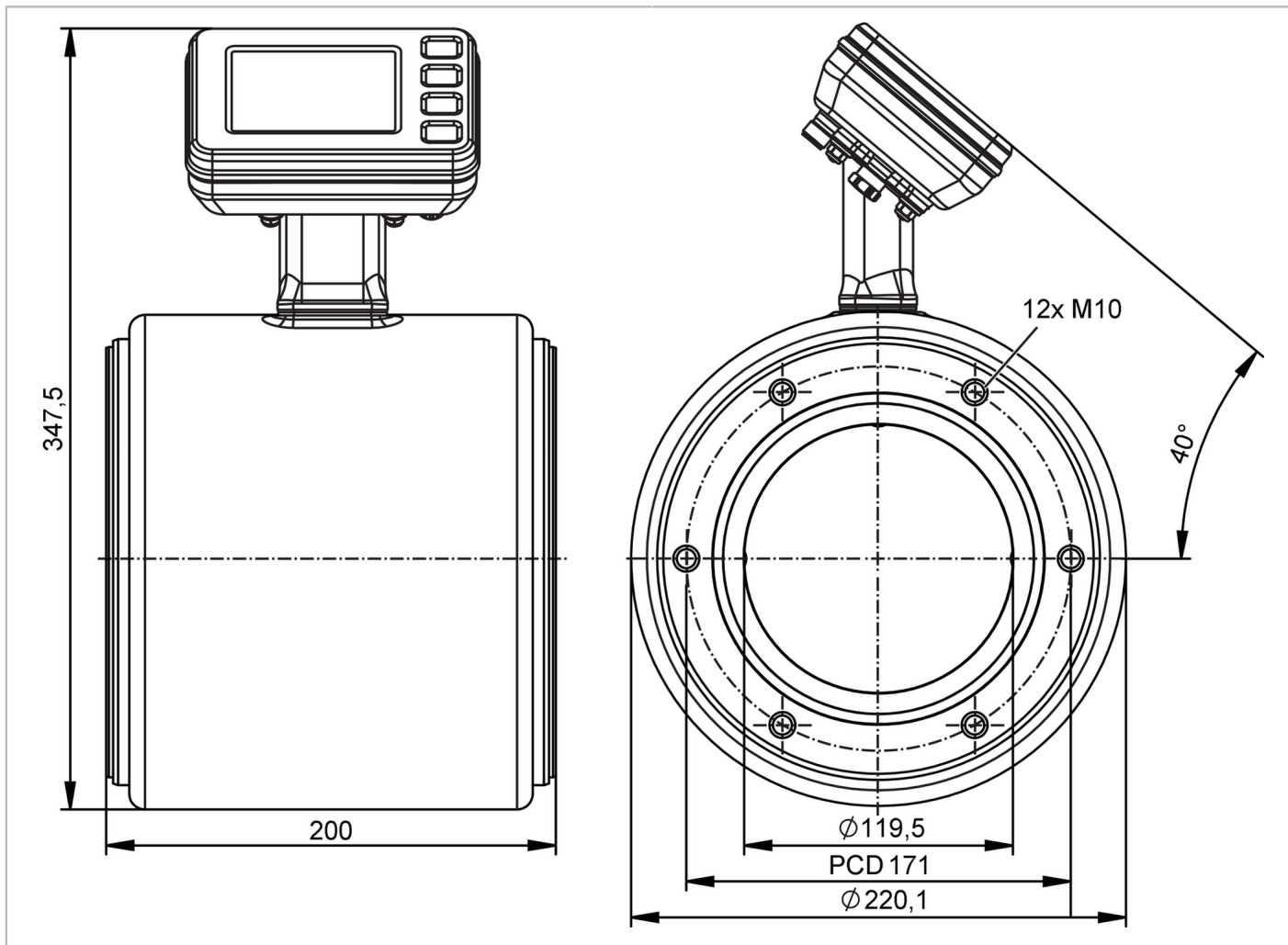


SMF821



Magnetic-inductive flow meter

SMGX1KGFFRKG/USD



EC 1935/2004

FCM



IO-Link



Product characteristics

Measuring range	75...7500 l/min	4500...450000 l/h	20...1981 gpm	0.33...33.42 ft/s
Nominal diameter	DN125 (5")			
Process connection	ifm-specific device flange			

Application

Special feature	gold-plated contacts		
Application	food and beverage industry		
Media	Conductive liquids; water; water-based media		
Note on media	food products such as beer, milk, fruit juices, soft drinks, ketchup, yogurt, yogurt toppings, ice cream		
	conductivity: $\geq 5 \mu\text{S/cm}$		
Medium temperature	-20...150 °C	-4...302 °F	
Min. burst pressure	348 psi	2.4 MPa	
Pressure rating	232 psi	1.6 MPa	

Electrical data

Operating voltage	[V]	18...32 DC
Current consumption	[mA]	250; (24V)

SMF821



Magnetic-inductive flow meter

SMGX1KGFRRKG/USD

Protection class	III
Reverse polarity protection	yes
Power-on delay time [s]	< 5
Measuring principle	magnetic-inductive

Inputs / outputs

Total number of inputs and outputs	2
------------------------------------	---

Inputs

Inputs	OUT2	external totalizer reset
--------	------	--------------------------

Outputs

Total number of outputs	2	
Output signal	OUT1	pulse signal; totalizer switching signal; diagnostic signal; IO-Link
	OUT2	analog signal; pulse signal; totalizer switching signal; diagnostic signal
Electrical design	PNP/NPN	
Pulse output	flow rate meter	
Short-circuit protection	yes	
Type of short-circuit protection	yes (non-latching)	
Overload protection	yes	

Analog

Number of analog outputs	1
Analog current output [mA]	4...20; (skalierbar)
Max. load [Ω]	500
Resolution of analog output	0.38 μA

Digital

Number of digital outputs	2
Max. voltage drop switching output DC [V]	2
Permanent current rating of switching output DC [mA]	100
Switching frequency DC [Hz]	0...10000

Measuring/setting range

Measuring range	75...7500 l/min	4500...450000 l/h	20...1981 gpm	0.33...33.42 ft/s
Display range	-9000...9000 l/min	-540000...540000 l/h	-2378...2378 gpm	-40.1...40.1 ft/s
Resolution	0.1 l/min	500 l/h	1 gpm	0.01 ft/s
Note on factory setting	0...485 gpm			
Analog start point ASP	-7500...6000 l/min	-450000...360000 l/h	-1981...1585 gpm	-33.42...26.73 ft/s
Analog end point AEP	-6000...7500 l/min	-360000...450000 l/h	-1585...1981 gpm	-26.73...33.42 ft/s
Low flow cut-off LFC	0...6000 l/min	0...360000 l/h	0...1585 gpm	0...26.73 ft/s
Pulse length [s]	0.00005...2			
Pulse value	0.038...99990000 l			

Temperature monitoring

Measuring range	-20...150 °C	-4...302 °F
Display range	-20...150 °C	-4...302 °F
Resolution	0.01 °C	0.1 °F

SMF821



Magnetic-inductive flow meter

SMGX1KGFFRKG/USD

Analog start point	-20...116 °C	-4...240.8 °F
Analog end point	14...150 °C	57.2...302 °F

Conductivity monitoring		
Measuring range	[μS/cm]	100...100000
Display range	[μS/cm]	0...10000000
Resolution	[μS/cm]	1
Analog start point	[μS/cm]	0...80000
Analog end point	[μS/cm]	20000...100000

Accuracy / deviations

Volumetric flow monitoring		
Accuracy (in the measuring range)	with optional factory calibration (availability is being planned)	± (0,2 % MW + 2 mm/s)
	standard	± (0,5 % MW + 1,5 mm/s)
Repeatability		0,1% MW

Temperature monitoring		
Accuracy	[K]	± 1 (v > 0,5 m/s)
Repeatability	[K]	± 0,5 (v > 0,5 m/s)

Conductivity monitoring		
Accuracy (in the measuring range)	in the range of 100...20000 μS/cm	±10% MW
	in the range of 20000...100000 μS/cm	±20% MW
Repeatability		± 5% MW

Reaction times

Volumetric flow monitoring		
Response time	[s]	< 0.3
Damping process value dAP	[s]	0...5

Temperature monitoring		
Response time	[s]	< 3; (v > 0,5 m/s)

Conductivity monitoring		
Response time	[s]	< 2

Software / programming

Diagnostic functions	direction of flow detection; liquid detection
----------------------	---

Interfaces

Communication interface	IO-Link	
Transmission type	COM3 (230,4 kBaud)	
IO-Link revision	1.1.3	
SDCI standard	IEC 61131-9	
Profiles	Smart Sensor - SSP 4.3.4	Measuring and Switching Sensor, floating point, 4 channel
	BLOB	Binary Large Object transfer
	Common - I&D	Identification and Diagnosis
	Extension	Sensor Control Wide
	Extension	Quantity detection, switches when value exceeds the setpoint
	Function	Locator
Function	ProductURI	

SMF821



Magnetic-inductive flow meter

SMGX1KGFFRKG/USD

SIO mode	yes	
Required master port class	A	
Process data analog	6	
Process data binary	8	
Min. process cycle time [ms]	1.9	
IO-Link process data (cyclical)	Function	bit length
	totalizer	32
	flow	32
	temperature	32
	conductivity	32
	status	4
	binary switching information	8
IO-Link functions (acyclical)	direction of flow detection; totalizer; memory; operating hours counter; internal temperature; simulation function	
Supported DeviceIDs	Type of operation	DeviceID
	default	1805
Operating conditions		
Ambient temperature	-20...65 °C	-4...149 °F
Storage temperature	-20...80 °C	-4...176 °F
Protection	IP 67; IP 69; (to DIN EN 60529)	
Tests / approvals		
EMC	DIN 61326-1	
Shock resistance	DIN IEC 68-2-27	20 g (18ms)
Vibration resistance	DIN IEC 68-2-6	5 g (10...2000Hz)
MTTF [years]	81	
UL approval	UL approval number	I031
	File number UL	E174189
Pressure equipment directive	sound engineering practice; can be used for group 2 fluids; group 1 fluids on request	
Mechanical data		
Weight [g]	15076	
Housing	tubular	
Inlet pipe length	5 x DN	
Outlet pipe length	2 x DN	
Dimensions [mm]	Ø 220.1 / L = 200	
Material	housing: stainless steel (1.4404 / 316L); flange: stainless steel (1.4301 / 304); electronics fixture: stainless steel (1.4301 / 304); electronics: stainless steel (1.4404 / 316L); Display: polysulfone; Display-sealing: FKM; LED ring: PP	
Materials (wetted parts)	Pipe section: PFA; electrodes: stainless steel (1.4435 / 316L)	
Nominal diameter	DN125 (5")	
Process connection	ifm-specific device flange	
Surface characteristics Ra/Rz of the wetted parts	Ra < 0.4 µm	

SMF821



Magnetic-inductive flow meter

SMGX1KGFFRKG/USD

Displays / operating elements		
Display	process value	full graphics TFT display, multi-color 3,5" 320 x 240 Pixel
		display layouts: 4
		display rotation: 4 x 90°
	operating status	LED ring, three-color
Display unit	l/min; l/h; hl/min; hl/h; m³/min; m³/h; m/s; gpm; gph; ft/s; °C; °F; µS/cm; S/m; ms/cm	
Factory setting	gpm; °F; µS/cm	
Language	German; English; Spanish; French; Italian; Japanese; Korean; Portuguese; Chinese	
Operating elements	4	capacitive pushbuttons

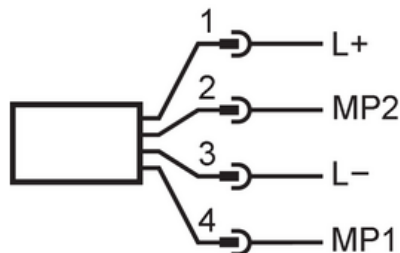
Remarks	
Remarks	MW = Measured value
	MEW = Final value of the measuring range
	pulse and totalizer signal are only available for one of the two outputs
	reference conditions (1/2): water (free of gas bubbles), 15...35 °C, process connection: DIN32676 series A, pipe standard suitable for process connection
	reference conditions (2/2): inlet pipe length 10xDN, outlet pipe length 5xDN, device settling time: 30 minutes, device orientation: horizontal, display orientation: up
	accuracy specifications according to factory certificate on delivery
Pack quantity	1 pcs.

Electrical connection - plug

Connector: 1 x M12; coding: A; Contacts: gold-plated



Connection



1	L+	
2	MP2	DO2, AO, Reset
3	L-	
4	MP1	DO1, IO-Link

AO: analog output; DO: digital output; MP: multi-function connection