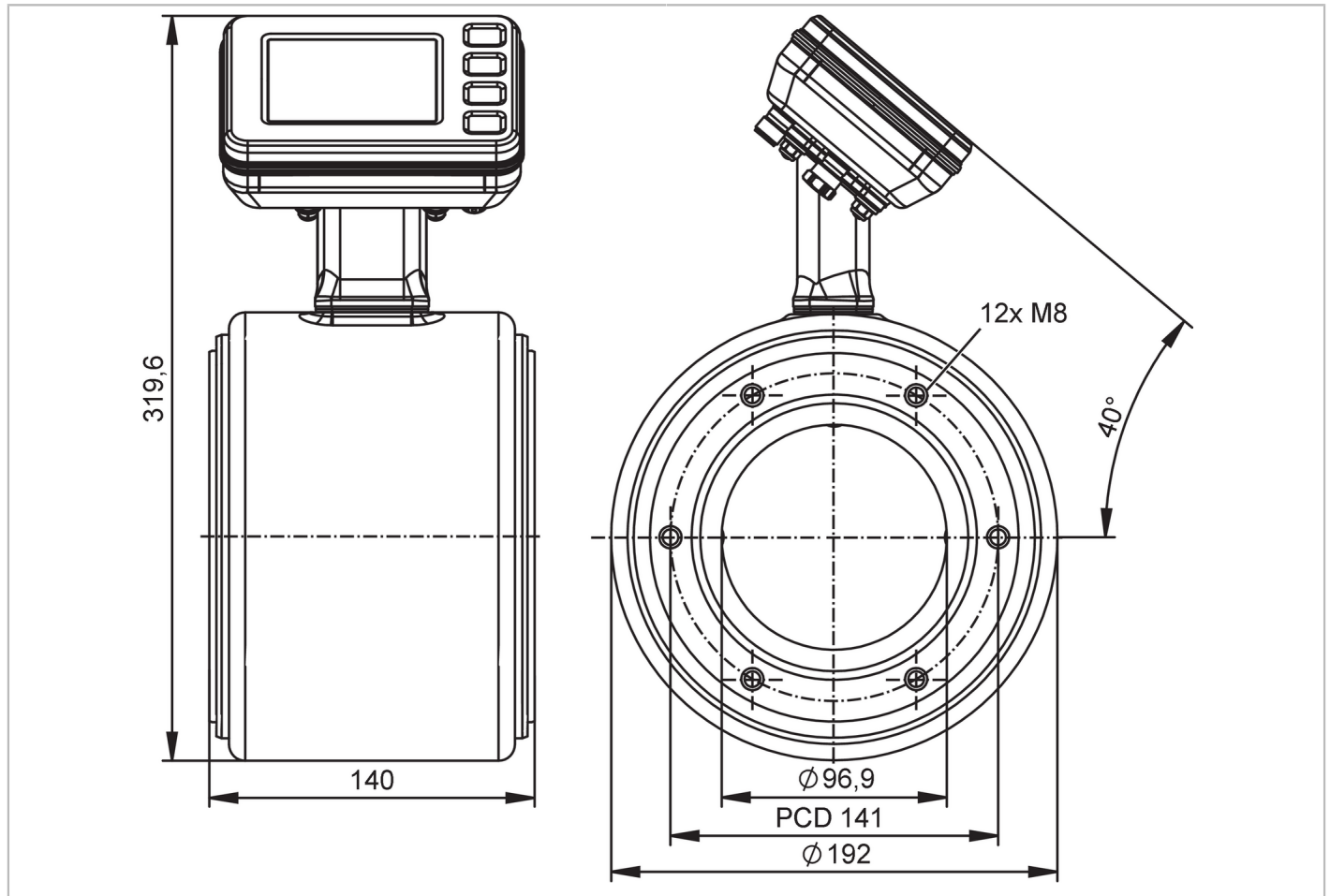


SMF721



Magnetic-inductive flow meter

SMGX0KGFFRKG/USD



EC 1935/2004

FCM



Product characteristics

Measuring range	50...5000 l/min	3000...300000 l/h	13...1321 gpm	0.34...34.82 ft/s
Nominal diameter	DN100 (4")			
Process connection	ifm-specific device flange			

Application

Special feature	gold-plated contacts			
Application	food and beverage industry			
Media	Conductive liquids; water; water-based media			
Note on media	food products such as beer, milk, fruit juices, soft drinks, ketchup, yogurt, yogurt toppings, ice cream			
	conductivity: $\geq 5 \mu\text{S/cm}$			
Medium temperature	-20...150 °C	-4...302 °F		
Min. burst pressure	543.75 psi	3.75 MPa		
Pressure rating	362.5 psi	2.5 MPa		

Electrical data

Operating voltage	[V]	18...32 DC
Current consumption	[mA]	250; (24V)
Protection class		III
Reverse polarity protection		yes

SMF721



Magnetic-inductive flow meter

SMGX0KGFFRKG/USD

Power-on delay time	[s]	< 5			
Measuring principle		magnetic-inductive			
Inputs / outputs					
Total number of inputs and outputs		2			
Inputs					
Inputs		OUT2	external totalizer reset		
Outputs					
Total number of outputs		2			
Output signal		OUT1	pulse signal; totalizer switching signal; diagnostic signal; IO-Link		
		OUT2	analog signal; pulse signal; totalizer switching signal; diagnostic signal		
Electrical design		PNP/NPN			
Pulse output		flow rate meter			
Short-circuit protection		yes			
Type of short-circuit protection		yes (non-latching)			
Overload protection		yes			
Analog					
Number of analog outputs		1			
Analog current output	[mA]	4...20; (skalierbar)			
Max. load	[Ω]	500			
Resolution of analog output		0.38 μA			
Digital					
Number of digital outputs		2			
Max. voltage drop switching output DC	[V]	2			
Permanent current rating of switching output DC	[mA]	100			
Switching frequency DC	[Hz]	0...10000			
Measuring/setting range					
Measuring range		50...5000 l/min	3000...300000 l/h	13...1321 gpm	0.34...34.82 ft/s
Display range		-6000...6000 l/min	-360000...360000 l/h	-1585.03...1585.03 gpm	-39.4...39.4 ft/s
Resolution		0.1 l/min	200 l/h	0.01 gpm	0.01 ft/s
Note on factory setting		0...310 gpm			
Analog start point ASP		-5000...4000 l/min	-300000...240000 l/h	-1321...1056.8 gpm	-32.8...26.24 ft/s
Analog end point AEP		-4000...5000 l/min	-240000...300000 l/h	-1056.8...1321 gpm	-26.24...32.8 ft/s
Low flow cut-off LFC		0...4000 l/min	0...240000 l/h	0...1056.8 gpm	0...26.24 ft/s
Pulse length	[s]	0.00005...2			
Pulse value		0.038...99990000 l			
Temperature monitoring					
Measuring range		-20...150 °C		-4...302 °F	
Display range		-20...150 °C		-4...302 °F	
Resolution		0.01 °C		0.1 °F	
Analog start point		-20...116 °C		-4...240.8 °F	

SMF721



Magnetic-inductive flow meter

SMGX0KGFFRKG/USD

Analog end point	14...150 °C	57.2...302 °F
Conductivity monitoring		
Measuring range	[μS/cm]	100...100000
Display range	[μS/cm]	0...10000000
Resolution	[μS/cm]	1
Analog start point	[μS/cm]	0...80000
Analog end point	[μS/cm]	20000...100000
Accuracy / deviations		
Volumetric flow monitoring		
Accuracy (under reference conditions)	with optional factory calibration (availability is being planned)	± (0,2 % MW + 2 mm/s)
	standard	± (0,5 % MW + 1,5 mm/s)
Repeatability		0,1% MW
Temperature monitoring		
Accuracy	[K]	± 1 (v > 0,5 m/s)
Repeatability	[K]	± 0,5 (v > 0,5 m/s)
Conductivity monitoring		
Accuracy (in the measuring range)	in the range of 100...20000 μS/cm	±10% MW
	in the range of 20000...100000 μS/cm	±20% MW
Repeatability		± 5% MW
Reaction times		
Volumetric flow monitoring		
Response time	[s]	< 0.3
Damping process value dAP	[s]	0...5
Temperature monitoring		
Response time	[s]	< 3; (v > 0,5 m/s)
Conductivity monitoring		
Response time	[s]	< 2
Software / programming		
Diagnostic functions		direction of flow detection; liquid detection
Interfaces		
Communication interface		IO-Link
Transmission type		COM3 (230,4 kBaud)
IO-Link revision		1.1.3
SDCI standard		IEC 61131-9
Profiles	Smart Sensor - SSP 4.3.4	Measuring and Switching Sensor, floating point, 4 channel
	BLOB	Binary Large Object transfer
	Common - I&D	Identification and Diagnosis
	Extension	Sensor Control Wide
	Extension	Quantity detection, switches when value exceeds the setpoint
	Function	Locator
Function	ProductURI	
SIO mode		yes

SMF721



Magnetic-inductive flow meter

SMGX0KGFFRKG/USD

Required master port class	A	
Process data analog	6	
Process data binary	8	
Min. process cycle time [ms]	1.9	
IO-Link process data (cyclical)	Function	bit length
	totalizer	32
	flow	32
	temperature	32
	conductivity	32
	status	4
	binary switching information	8
IO-Link functions (acyclical)	direction of flow detection; totalizer; memory; operating hours counter; internal temperature; simulation function	
Supported DeviceIDs	Type of operation	DeviceID
	default	1802

Operating conditions		
Ambient temperature	-20...65 °C	-4...149 °F
Storage temperature	-20...80 °C	-4...176 °F
Protection	IP 67; IP 69; (to DIN EN 60529)	

Tests / approvals		
EMC	DIN 61326-1	
CPA approval	model number	SMF
	accuracy class	0,5
Shock resistance	DIN IEC 68-2-27	20 g (18ms)
Vibration resistance	DIN IEC 68-2-6	5 g (10...2000Hz)
MTTF [years]	81	
UL approval	UL approval number	I031
Pressure equipment directive	sound engineering practice; can be used for group 2 fluids; group 1 fluids on request	

Mechanical data		
Weight [g]	8759.6	
Housing	tubular	
Inlet pipe length	5 x DN	
Outlet pipe length	2 x DN	
Dimensions [mm]	Ø 192 / L = 140	
Material	housing: stainless steel (1.4404 / 316L); flange: stainless steel (1.4301 / 304); electronics fixture: stainless steel (1.4301 / 304); electronics: stainless steel (1.4404 / 316L); Display: polysulfone; Display-sealing: FKM; LED ring: PP	
Materials (wetted parts)	Pipe section: PFA; electrodes: stainless steel (1.4435 / 316L)	
Nominal diameter	DN100 (4")	
Process connection	ifm-specific device flange	
Surface characteristics Ra/Rz of the wetted parts	Ra < 0.4 µm	

SMF721



Magnetic-inductive flow meter

SMGX0KGFFRKG/USD

Displays / operating elements		
Display	process value	full graphics TFT display, multi-color 3,5" 320 x 240 Pixel
		display layouts: 4
		display rotation: 4 x 90°
	operating status	LED ring, three-color
Display unit	l/min; l/h; hl/min; hl/h; m³/min; m³/h; m/s; gpm; gph; ft/s; °C; °F; µS/cm; S/m; ms/cm	
Factory setting	gpm; °F; µS/cm	
Language	German; English; Spanish; French; Italian; Japanese; Korean; Portuguese; Chinese	
Operating elements	4	capacitive pushbuttons

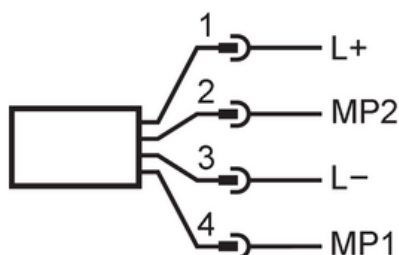
Remarks	
Remarks	MW = Measured value
	MEW = Final value of the measuring range
	pulse and totalizer signal are only available for one of the two outputs
	reference conditions (1/2): water (free of gas bubbles), 15...35 °C, process connection: DIN32676 series A, pipe standard suitable for process connection
	reference conditions (2/2): inlet pipe length 10xDN, outlet pipe length 5xDN, device settling time: 30 minutes, device orientation: horizontal, display orientation: up
	accuracy specifications according to factory certificate on delivery
Pack quantity	1 pcs.

Electrical connection

Connector: 1 x M12; coding: A; Contacts: 4, gold-plated



Connection



Electrical connection - plug

1	L+	
2	MP2	DO2, AO, Reset
3	L-	
4	MP1	DO1, IO-Link

AO: analog output; DO: digital output; MP: multi-function connection