

SM4020

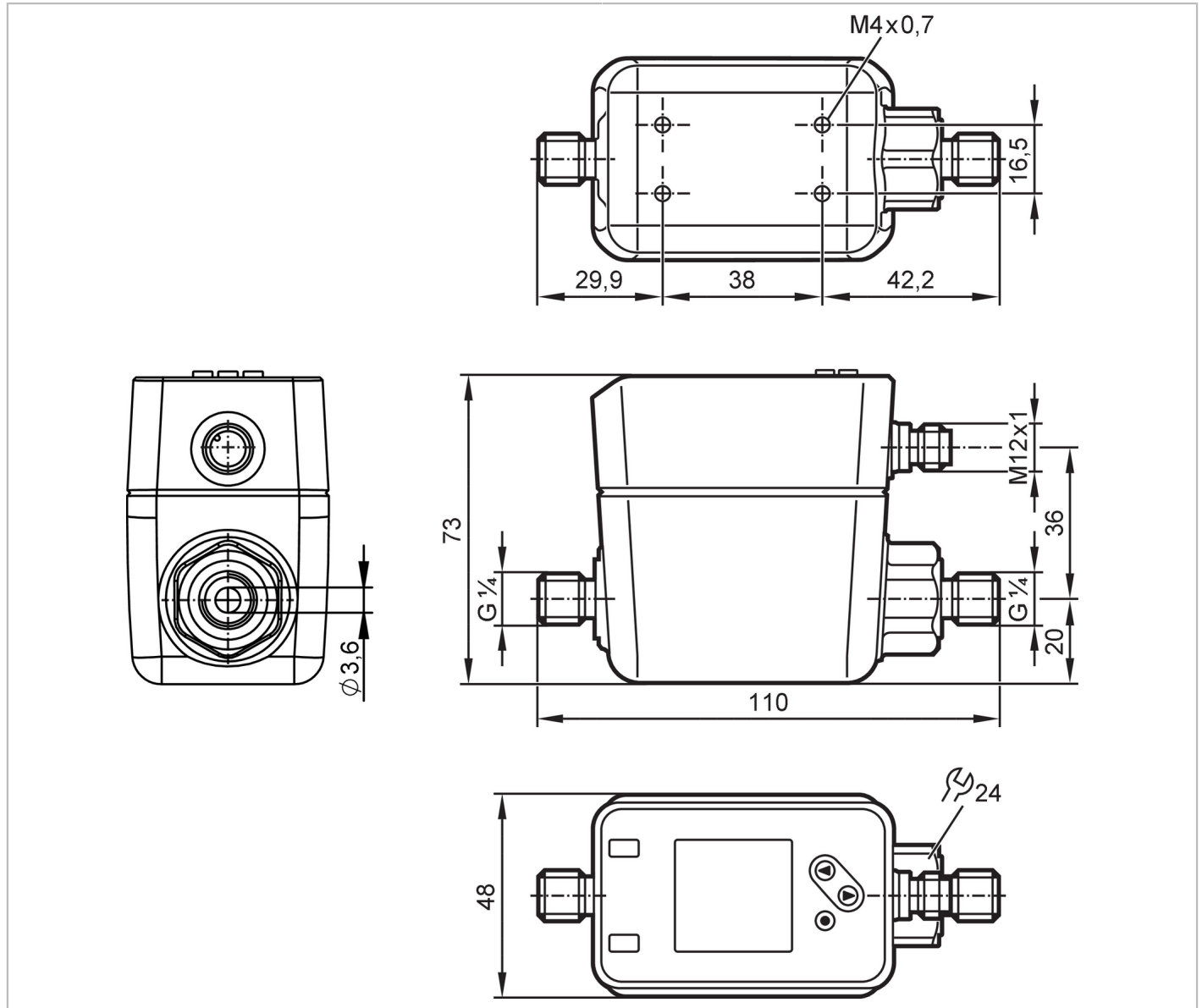


Magnetic-inductive flow meter

SMR14XGXFRKG/US-100

Alternative articles: SM4000

When selecting an alternative article and accessories please note that technical data may differ!



Product characteristics	
Number of inputs and outputs	Number of digital outputs: 2; Number of analog outputs: 1
Measuring range [ml/min]	5...5000
Process connection	threaded connection G 1/4 external thread DN6 flat seal
Application	
Special feature	gold-plated contacts
Media	Conductive liquids; water; water-based media
Note on media	conductivity: $\geq 20 \mu\text{S/cm}$ viscosity: $< 70 \text{ mm}^2/\text{s}$ (40 °C)
Medium temperature [°C]	-20...90

SM4020



Magnetic-inductive flow meter

SMR14XGXFRKG/US-100

Pressure rating	16 bar	1.6 MPa
Electrical data		
Operating voltage [V]	18...30 DC; (to SELV/PELV)	
Current consumption [mA]	< 80	
Protection class	III	
Reverse polarity protection	yes	
Power-on delay time [s]	5	
Measuring principle	magnetic-inductive	
Inputs / outputs		
Number of inputs and outputs	Number of digital outputs: 2; Number of analog outputs: 1	
Inputs		
Inputs	counter reset	
Outputs		
Total number of outputs	2	
Output signal	switching signal; analog signal; pulse signal; IO-Link; frequency signal; (configurable)	
Electrical design	PNP/NPN	
Number of digital outputs	2	
Output function	normally open / closed; (configurable)	
Max. voltage drop switching output DC [V]	2	
Permanent current rating of switching output DC [mA]	100	
Number of analog outputs	1	
Analog current output [mA]	4...20; (scalable)	
Max. load [Ω]	500	
Pulse output	flow rate meter	
Short-circuit protection	yes	
Type of short-circuit protection	yes (non-latching)	
Overload protection	yes	
Measuring/setting range		
Measuring range [ml/min]	5...5000	
Display range [ml/min]	-6000...6000	
Resolution [ml/min]	1	
Set point SP [ml/min]	33...5000	
Reset point rP [ml/min]	7...4974	
Analog start point ASP [ml/min]	0...3993	
Analog end point AEP [ml/min]	1007...5000	
Low flow cut-off LFC [ml/min]	5...250	
Frequency end point, FEP [ml/min]	1005...5000	
Frequency at the end point FRP [Hz]	1...10000	
Volumetric flow quantity monitoring		
Pulse length [s]	0.005...2	
Pulse value	0.001...99990000 l	

SM4020



Magnetic-inductive flow meter

SMR14XGXFRKG/US-100

Temperature monitoring		
Measuring range	[°C]	-20...90
Display range	[°C]	-42...112
Resolution	[°C]	0.1
Set point SP	[°C]	-19.6...90
Reset point rP	[°C]	-20...89.6
Analog start point	[°C]	-20...68
Analog end point	[°C]	2...90
In steps of	[°C]	0.1

Accuracy / deviations		
Flow monitoring		
Accuracy (in the measuring range)		$\pm (0,8 \% MW + 0,2 \% MEW)$
Repeatability		$\pm 0,2 \% MEW$
Temperature monitoring		
Accuracy	[K]	$\pm 2,5 (Q > 1 \text{ l/min})$

Reaction times		
Flow monitoring		
Start-up delay	[s]	0...50
Response time	[s]	$< 0.25; (dAP = 0, T09)$
Damping process value dAP	[s]	0...5
Temperature monitoring		
Response time	[s]	15; $(Q > 1 \text{ l/min}, T09)$

Software / programming		
Parameter setting options	hysteresis / window; normally open / closed; switching logic; Frequency output; current/pulse output; Start-up delay; display can be deactivated; Display unit	

Interfaces		
Communication interface	IO-Link	
Transmission type	COM2 (38,4 kBaud)	
IO-Link revision	1.1	
SDCI standard	IEC 61131-9	
Profiles	Common - I&D	Identification and Diagnosis
SIO mode	yes	
Required master port class	A	
Process data analog	3	
Process data binary	2	
Min. process cycle time	[ms]	8
Supported DeviceIDs	Type of operation	DeviceID
	default	943


Operating conditions		
Ambient temperature	[°C]	-20...60
Storage temperature	[°C]	-25...80
Protection		IP 65; IP 67

SM4020



Magnetic-inductive flow meter

SMR14XGXFRKG/US-100

Tests / approvals		
EMC	DIN EN 60947-5-9	
Shock resistance	DIN IEC 68-2-27	20 g (11 ms)
Vibration resistance	DIN IEC 68-2-6:	5 g (10...2000 Hz)
MTTF [years]		114
UL approval	UL approval number	I014
	File number UL	E174189
Pressure equipment directive	sound engineering practice; can be used for group 2 fluids; group 1 fluids on request	
Mechanical data		
Weight [g]		712.8
Housing		rectangular
Dimensions [mm]		110 x 48 x 73
Material	stainless steel (1.4408/316); stainless steel (1.4404 / 316L); PC; PBT+PC-GF30	
Materials (wetted parts)	Pipe section: stainless steel (1.4404 / 316L); Process connection sealing: NBR fiber-reinforced Gasket; FKM; PEEK; carbon fiber PEEK	
Process connection	threaded connection G 1/4 external thread DN6 flat seal	
Displays / operating elements		
Display		Color display 1,44", 128 x 128 pixels 2 x LED, yellow
Remarks		
Remarks	MW = Measured value MEW = Final value of the measuring range	
Pack quantity	1 pcs.	
Electrical connection		
Connector: 1 x M12; coding: A; Contacts: gold-plated		
		

SM4020



Magnetic-inductive flow meter

SMR14XGXFRKG/US-100

Connection



OUT1:	Colors to DIN EN 60947-5-2 Switching output Volumetric flow quantity monitoring Switching output Temperature monitoring Pulse output quantity meter Frequency output volumetric flow monitoring Frequency output Temperature monitoring signal output Preset counter IO-Link
OUT2:	Switching output Volumetric flow quantity monitoring Switching output Temperature monitoring analog output flow analog output temperature Input counter reset Core colors :
BK =	black
BN =	brown
BU =	blue
WH =	white

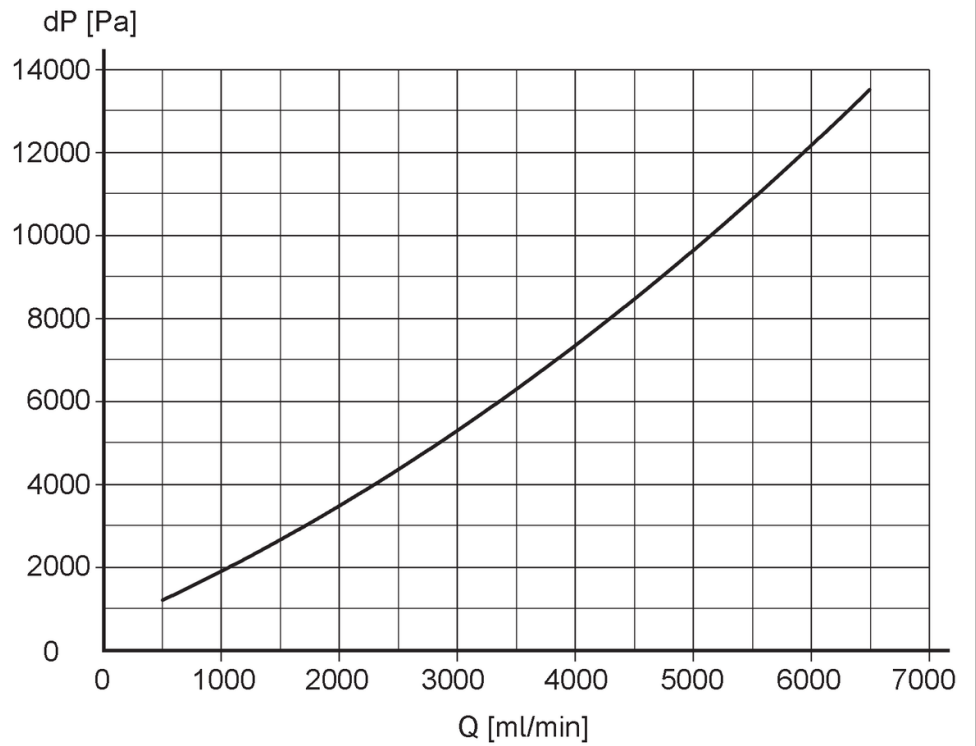
SM4020

Magnetic-inductive flow meter

SMR14XGXFRKG/US-100



Diagrams and graphs



Pressure loss / volumetric flow quantity