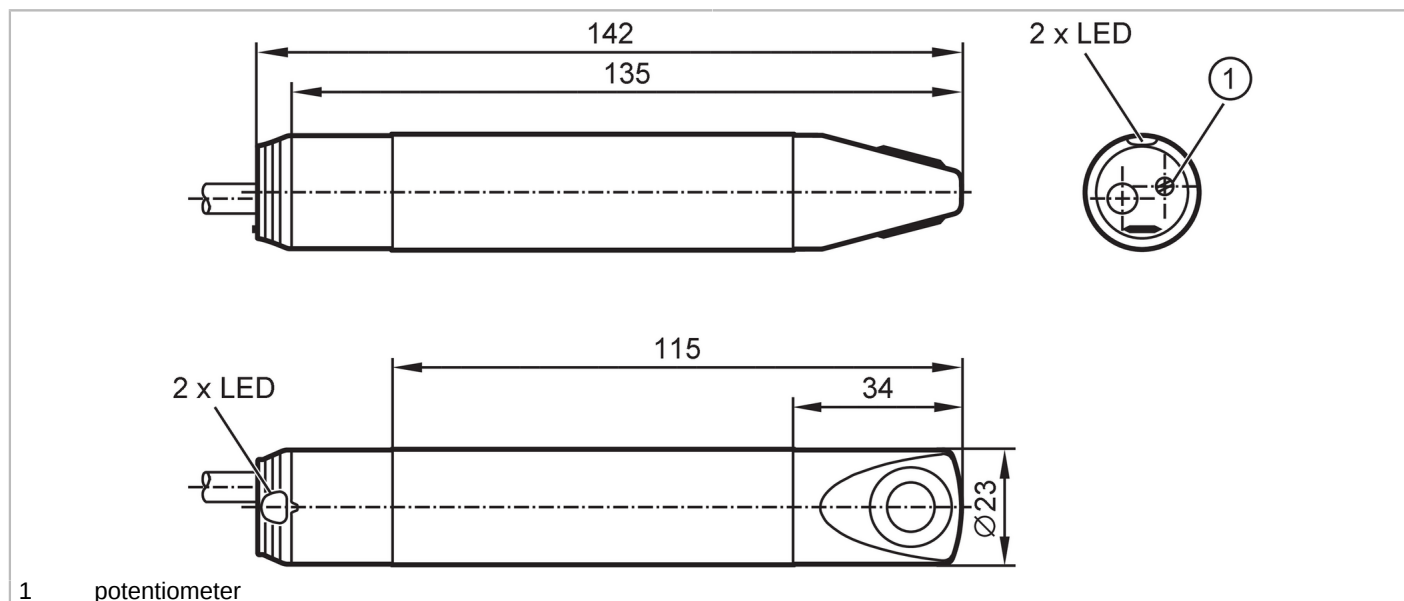


SL0301



Airflow monitor

SLG23CEEAKOA/PH



1 potentiometer



Product characteristics

Number of inputs and outputs	Number of relay outputs: 1
Process connection	Clamp fitting Ø 23 mm

Application

Medium temperature [°C]	-10...50
Pressure rating	1 bar 0.1 MPa

Electrical data

Operating voltage [V]	80...250 AC / 90...250 DC
Max. power consumption [VA]	3
Min. insulation resistance [MΩ]	100; (500 V DC)
Reverse polarity protection	no
Power-on delay time [s]	60

Inputs / outputs

Number of inputs and outputs	Number of relay outputs: 1
------------------------------	----------------------------

Outputs

Output signal	switching signal
Number of relay outputs	1
Contact rating	3 A (30 V DC / 250 V AC)
Switching function flow monitoring	relay energized when flow is present
Short-circuit proof	no
Overload protection	no

Measuring/setting range

Gases	
Setting range [cm/s]	100...1000
Greatest sensitivity [cm/s]	100...400

SL0301



Airflow monitor

SLG23CEEAKOA/PH

Accuracy / deviations		
Max. temperature gradient of [K/min] medium		5
Reaction times		
Response time [s]		3...60
Gases		
Response time [s]		3...60
Software / programming		
Adjustment of the switch point		potentiometer
Operating conditions		
Ambient temperature [°C]		-10...50
Storage temperature [°C]		-25...85
Max. relative air humidity [%]		90
Protection		IP 65
Tests / approvals		
MTTF [years]		747
Mechanical data		
Weight [g]		209
Housing		tubular
Dimensions [mm]		Ø 23 / L = 142
Material		housing: PBT; sensor surface: titanium
Materials (wetted parts)		PBT; titanium
Process connection		Clamp fitting Ø 23 mm
Displays / operating elements		
Display	Function	1 x LED, red
	Function	1 x LED, green
Electrical connection		
Required protection		miniature fuse to IEC60127-2 sheet 1; ≤ 5 A; fast acting
Accessories		
Items supplied		Mounting clamp: 1, E40048
Remarks		
Remarks		Recommendation Check the safe functioning of the unit after a short circuit.
Pack quantity		1 pcs.

SL0301



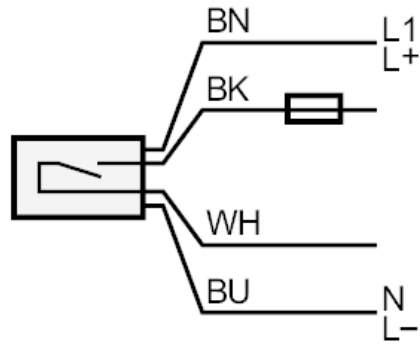
Airflow monitor

SLG23CEEAKOA/PH

Electrical connection

Cable: 2 m, PUR; 4 x 0.5 mm²

Connection



Note miniature fuse to IEC60127-2 sheet 1 \leq 5 A fast acting
Core colors :

BN = brown
BU = blue
BK = black
WH = white