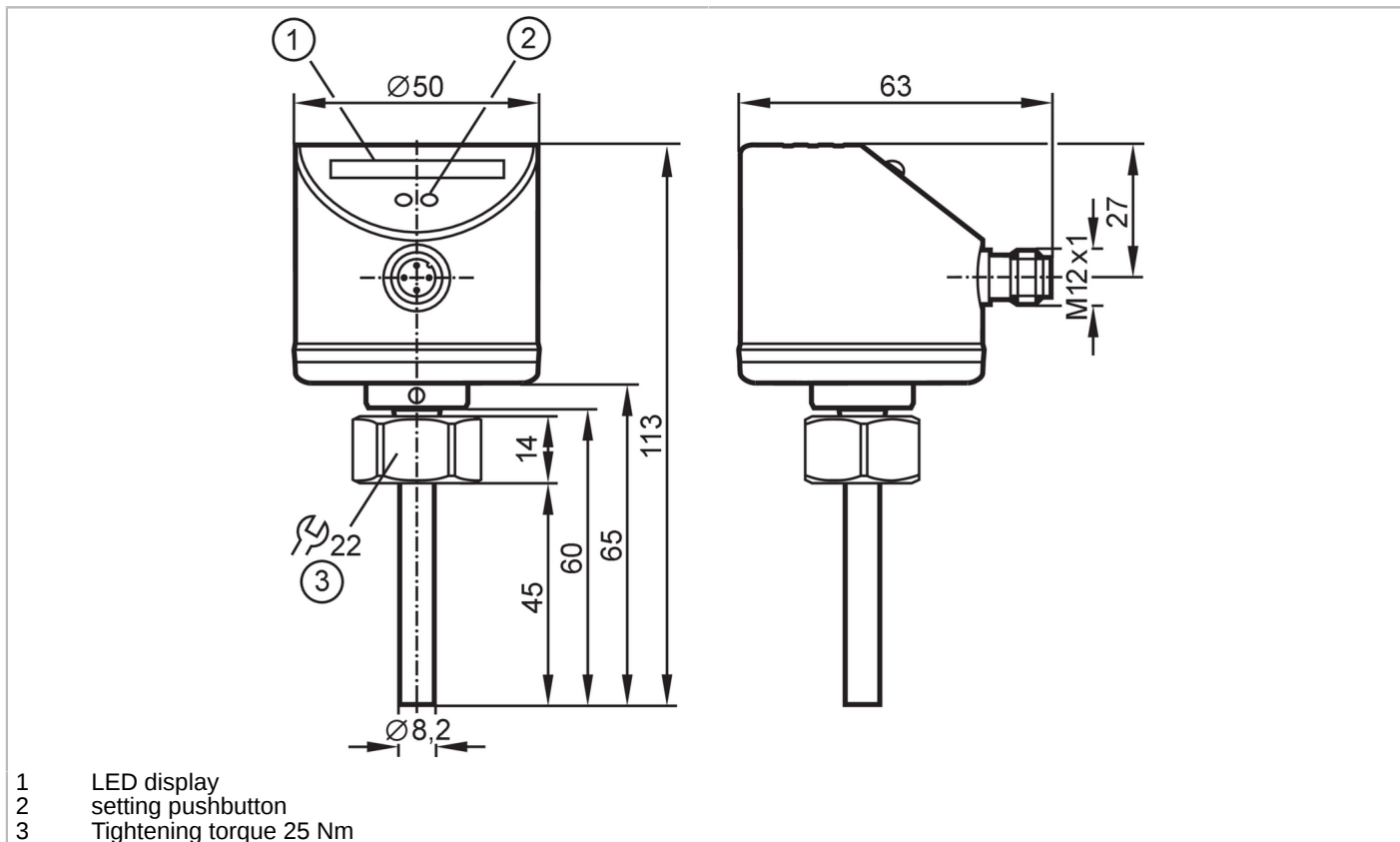


SI5007



Flow monitor

SID10ADBFPKG/US-100



Product characteristics	
Number of inputs and outputs	Number of digital outputs: 2
Process connection	threaded connection M18 x 1,5 Internal thread
Application	
Media	Liquids; Gases
Medium temperature [°C]	-25...80
Pressure rating	300 bar 30 MPa
Liquids	
Medium temperature [°C]	-25...80
Gases	
Medium temperature [°C]	-25...80
Electrical data	
Operating voltage [V]	18...36 DC
Current consumption [mA]	< 60
Protection class	III
Reverse polarity protection	yes
Power-on delay time [s]	10
Inputs / outputs	
Number of inputs and outputs	Number of digital outputs: 2

SI5007



Flow monitor

SID10ADBFPKG/US-100

Outputs		
Total number of outputs		2
Output signal		switching signal; IO-Link; (configurable)
Electrical design		PNP
Number of digital outputs		2
Output function		normally open / closed; (configurable)
Max. voltage drop switching output DC	[V]	2.5
Permanent current rating of switching output DC	[mA]	250
Short-circuit protection		yes
Type of short-circuit protection		yes (non-latching)
Overload protection		yes
Measuring/setting range		
Probe length L	[mm]	45
Liquids		
Setting range	[cm/s]	3...300
Greatest sensitivity	[cm/s]	3...100
Gases		
Setting range	[cm/s]	200...3000
Greatest sensitivity	[cm/s]	200...800
Temperature monitoring		
Measuring range	[°C]	2...80
Resolution	[°C]	1
Accuracy / deviations		
Repeatability	[cm/s]	1...5
Note on repeatability		for water 5...100 cm/s; 25 °C Factory setting
Temperature drift	[cm/s x 1/K]	0.1; (for water 5...100 cm/s; 10...70 °C)
Max. temperature gradient of medium	[K/min]	300
Switch point accuracy	[cm/s]	± 2...± 10; (for water 5...100 cm/s; 25 °C; Factory setting)
Hysteresis	[cm/s]	2...5; (for water 5...100 cm/s; 25 °C; Factory setting)
Temperature monitoring		
Switch point accuracy	[K]	± 3 (v > 5cm/s); (Liquids)
Resolution	[K]	1
Hysteresis	[K]	2
Repeatability	[K]	2
Reaction times		
Response time	[s]	1...10
Liquids		
Response time	[s]	1...10

SI5007



Flow monitor

SID10ADBFPKG/US-100

Gases		
Response time	[s]	1...10
Temperature monitoring		
Response time	[s]	1...10
Software / programming		
Adjustment of the switch point		pushbuttons
Interfaces		
Communication interface		IO-Link
Transmission type		COM2 (38,4 kBaud)
IO-Link revision		1.1
SDCI standard		IEC 61131-9
Profiles	Smart Sensor - SSP 0	Generic Profiled Sensor
	Function	Device identification
	Function	Process data variable
SIO mode		yes
Required master port class		A
Process data analog		2
Process data binary		2
Min. process cycle time	[ms]	3
Supported DeviceIDs	Type of operation	DeviceID
	default	53
Operating conditions		
Ambient temperature	[°C]	-25...80
Storage temperature	[°C]	-25...100
Protection		IP 65; IP 67
Tests / approvals		
EMC	DIN EN 60947-5-9	
Shock resistance	DIN IEC 60068-2-27	50 g (11 ms)
Vibration resistance	DIN EN 60068-2-6	20 g (55...2000 Hz)
MTTF	[years]	277
Mechanical data		
Weight	[g]	231.5
Housing		tubular
Dimensions	[mm]	Ø 50 / L = 113
Material		stainless steel (1.4404 / 316L); stainless steel (1.4310 / 301); PC; PBT-GF20; EPDM/X
Materials (wetted parts)		stainless steel (1.4404 / 316L); O-ring: FKM 80 Shore A
Process connection		threaded connection M18 x 1,5 Internal thread
Probe diameter	[mm]	8.2
Installation length EL	[mm]	45
Displays / operating elements		
Display	Function	10 x LED, three-color
Remarks		
Pack quantity		1 pcs.

SI5007



Flow monitor

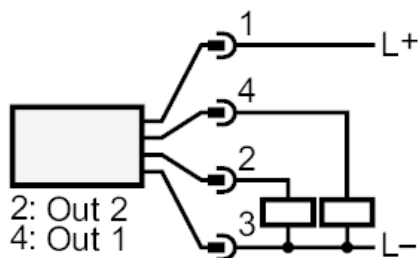
SID10ADBFPKG/US-100

Electrical connection

Connector: 1 x M12; coding: A; Contacts: 4



Connection



Pin 2: OUT 2 = Temperature monitoring
Pin 4: OUT 1 = Flow monitoring
Pin 4: IO-Link