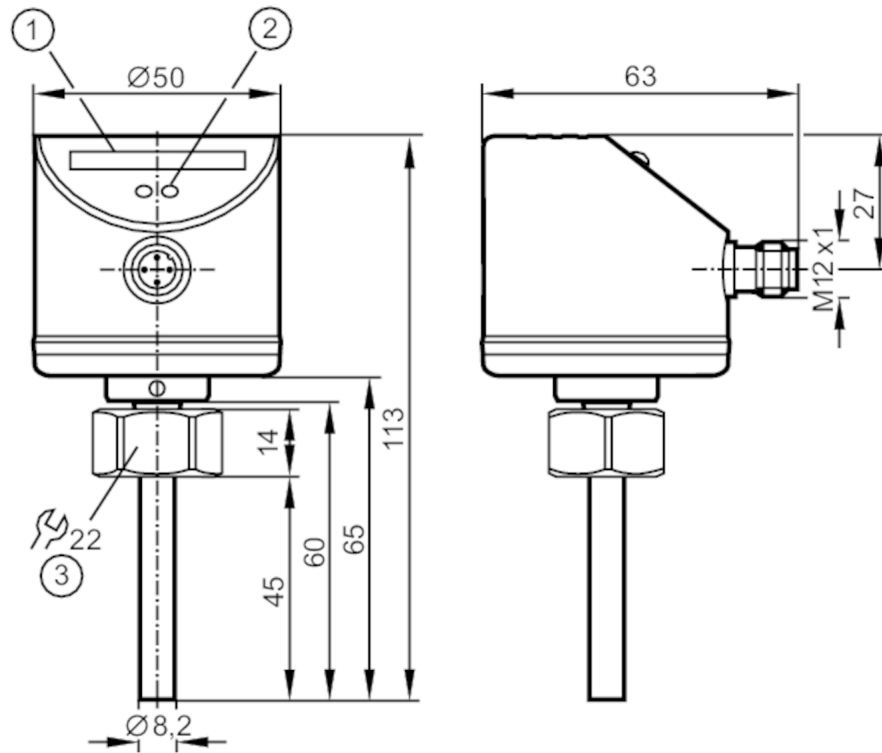


SI5002



Flow monitor

SID10ADBFPKG/US-100



- 1 LED bar display
- 2 setting pushbutton
- 3 Tightening torque 25 Nm



Product characteristics

Number of inputs and outputs	Number of digital outputs: 2
Process connection	threaded connection M18 x 1,5 internal thread

Application

Media	Liquids; Gases	
Medium temperature [°C]	-25...80	
Pressure rating	300 bar	30 MPa
Liquids		
Medium temperature [°C]	-25...80	
Gases		
Medium temperature [°C]	-25...80	

Electrical data

Operating voltage [V]	18...36 DC	
Current consumption [mA]	< 60	
Protection class	III	
Reverse polarity protection	yes	
Power-on delay time [s]	10	

Inputs / outputs

Number of inputs and outputs	Number of digital outputs: 2
------------------------------	------------------------------



Flow monitor

SID10ADBFPKG/US-100

Outputs	
Total number of outputs	2
Output signal	switching signal; IO-Link; (configurable)
Electrical design	PNP
Number of digital outputs	2
Output function	normally open / normally closed; (parameterisable)
Max. voltage drop switching output DC [V]	2.5
Permanent current rating of switching output DC [mA]	250
Short-circuit protection	yes
Type of short-circuit protection	pulsed
Overload protection	yes
Measuring/setting range	
Probe length L [mm]	45
Liquids	
Setting range [cm/s]	3...300
Greatest sensitivity [cm/s]	3...100
Gases	
Setting range [cm/s]	200...3000
Greatest sensitivity [cm/s]	200...800
Accuracy / deviations	
Repeatability [cm/s]	1...5
Note on repeatability	for water 5...100 cm/s; 25 °C Factory setting
Temperature drift [cm/s x 1/K]	0.1; (for water 5...100 cm/s; 10...70 °C)
Temperature gradient [K/min]	300
Switch point accuracy [cm/s]	± 2...± 10; (for water 5...100 cm/s; 25 °C; Factory setting)
Hysteresis [cm/s]	2...5; (for water 5...100 cm/s; 25 °C; Factory setting)
Response times	
Response time [s]	1...10
Liquids	
Response time [s]	1...10
Gases	
Response time [s]	1...10
Software / programming	
Adjustment of the switch point	pushbutton
Interfaces	
Communication interface	IO-Link
Transmission type	COM2 (38,4 kBaud)
IO-Link revision	1.1
SDCI standard	IEC 61131-9

SI5002



Flow monitor

SID10ADBFPKG/US-100

Profiles	Smart Sensor: Process Data Variable; Device Identification	
SIO mode		yes
Required master port type		A
Process data analogue		2
Process data binary		2
Min. process cycle time [ms]		3
Supported DeviceIDs	Type of operation	DeviceID
	default	51

Operating conditions		
Ambient temperature [°C]		-25...80
Storage temperature [°C]		-25...100
Protection		IP 65; IP 67

Tests / approvals		
EMC	DIN EN 60947-5-9	
Shock resistance	DIN IEC 60068-2-27	50 g (11 ms)
Vibration resistance	DIN EN 60068-2-6	20 g (55...2000 Hz)
MTTF [years]		277

Mechanical data		
Weight [g]		247.5
Housing		cylindrical
Dimensions [mm]		Ø 50 / L = 113
Materials	stainless steel (316L/1.4404); stainless steel (301/1.4310); PC; PBT-GF20; EPDM/X	
Materials (wetted parts)	stainless steel (316L/1.4404); O-ring: FKM 80 Shore A	
Process connection	threaded connection M18 x 1,5 internal thread	
Probe diameter [mm]		8.2
Installation length EL [mm]		45

Displays / operating elements		
Display	function	10 x LED, three-colour

Remarks		
Pack quantity		1 pcs.

Electrical connection

Connector: 1 x M12; coding: A



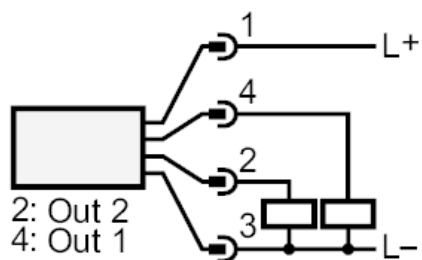
SI5002



Flow monitor

SID10ADBFPKG/US-100

Connection



Pin 4: IO-Link