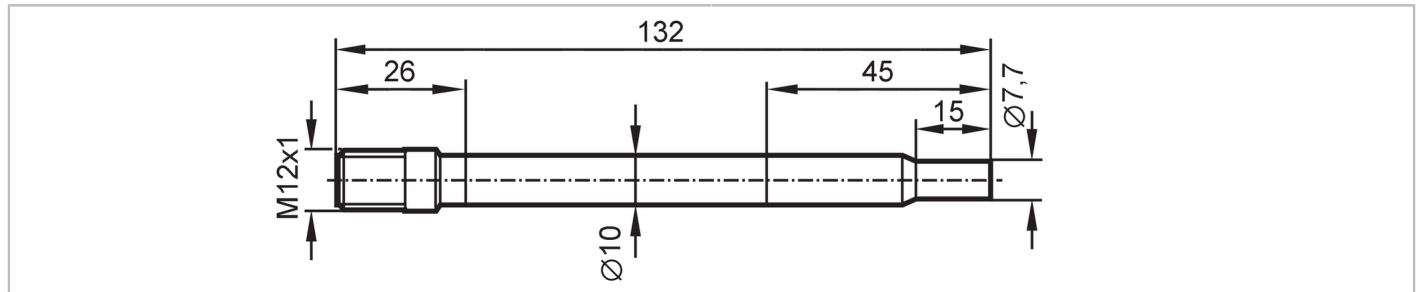


SF6201



Flow sensor for connection to an evaluation unit

SFG10ABB /US-100



Product characteristics	
Probe length L [mm]	15...107
Process connection	Clamp fitting Ø 10 mm
Application	
Special feature	gold-plated contacts
Application	high temperature
Installation	Sensor suitable for clamp fitting
Media	Liquids; Gases
Medium temperature [°C]	-25...80
Pressure rating	30 bar 3 MPa
Liquids	
Application	high temperature
Installation	Sensor suitable for clamp fitting
Medium temperature [°C]	-25...80
Gases	
Medium temperature [°C]	-25...80
Electrical data	
Connection to control monitor	VS3000
Measuring/setting range	
Probe length L [mm]	15...107
Liquids	
Setting range [cm/s]	3...300
Greatest sensitivity [cm/s]	3...60
Gases	
Setting range [cm/s]	200...3000
Greatest sensitivity [cm/s]	200...800
Accuracy / deviations	
Max. temperature gradient of [K/min] medium	30
Reaction times	
Response time [s]	1...10
Liquids	
Response time [s]	1...10

SF6201



Flow sensor for connection to an evaluation unit

SFG10ABB /JS-100

Gases		
Response time	[s]	1...10
Operating conditions		
Storage temperature	[°C]	-25...80
Protection		IP 67
Tests / approvals		
Shock resistance	DIN IEC 68-2-27	40 g (11 ms)
Vibration resistance	DIN IEC 68-2-6	10 g (55...2000 Hz)
MTTF	[years]	8393.77
Mechanical data		
Weight	[g]	62.5
Housing		tubular
Dimensions	[mm]	Ø 10 / L = 132
Material		stainless steel (1.4404 / 316L) several parts, welded
Materials (wetted parts)		stainless steel (1.4404 / 316L) several parts, welded
Process connection		Clamp fitting Ø 10 mm
Probe diameter	[mm]	7.7
Accessories		
Accessories (optional)		Clamp adapter: R 1/2, E40160
		Clamp adapter: 1/2" NPT, E40174
Remarks		
Pack quantity		1 pcs.
Electrical connection		
Connector: 1 x M12; coding: A; Contacts: gold-plated; Maximum cable length: 100 m		

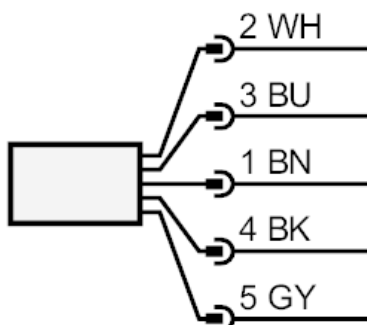
SF6201



Flow sensor for connection to an evaluation unit

SFG10ABB /JS-100

Connection



Core colors :

BN =	brown
BU =	blue
BK =	black
WH =	white
GY =	grey