

# SDG080



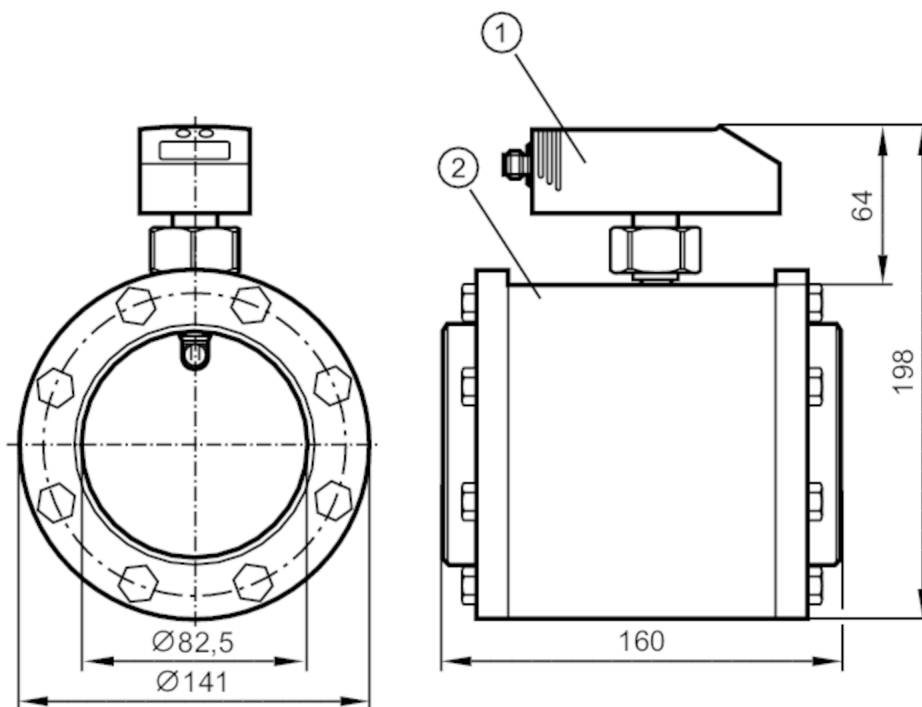
## Compressed air meter

SDG3"/METRIS PB DN80

Article to be discontinued

Alternative articles: SDG450

When selecting an alternative article and accessories please note that technical data may differ!



- 1 Flow sensor
- 2 Pipe section



### Product characteristics

Number of inputs and outputs	Number of digital outputs: 2; Number of analog outputs: 1
Measuring range [m <sup>3</sup> /h]	9...2750
Process connection	flange DN80 according to: DIN 2448

### Application

Application	Totalizer function
Media	compressed air
Note on media	air quality ISO 8573-1
	class 141
	class 344
Medium temperature [°C]	0...60
Pressure rating [bar]	16
Pressure rating [Mpa]	1.6



## Compressed air meter

SDG3"/METRIS PB DN80

Electrical data		
Operating voltage	[V]	19...30 DC
Current consumption	[mA]	< 100
Protection class		III
Reverse polarity protection		yes
Power-on delay time	[s]	0.5
Inputs / outputs		
Number of inputs and outputs		Number of digital outputs: 2; Number of analog outputs: 1
Outputs		
Total number of outputs		2
Output signal		switching signal; analog signal; pulse signal; (configurable)
Electrical design		PNP
Number of digital outputs		2
Output function		normally open / closed; (configurable)
Max. voltage drop switching output DC	[V]	2
Permanent current rating of switching output DC	[mA]	250; (per output)
Number of analog outputs		1
Analog current output	[mA]	4...20; (scalable)
Max. load	[Ω]	500
Pulse output		consumed quantity meter
Short-circuit protection		yes
Type of short-circuit protection		yes (non-latching)
Overload protection		yes
Measuring/setting range		
Measuring range	[m <sup>3</sup> /h]	9...2750
Display range	[m <sup>3</sup> /h]	0...3300
Volumetric flow quantity monitoring		
Pulse value		1 Nm <sup>3</sup>
Pulse length	[s]	0,1
Accuracy / deviations		
Flow monitoring		
Accuracy (in the measuring range)		± (3 % MW + 0,3 % MEW) / ± (6 % MW + 0,6 % MEW); (class 141 l; class 344)
Reaction times		
Flow monitoring		
Response time	[s]	0.1; (dAP = 0)
Operating conditions		
Ambient temperature	[°C]	0...60
Storage temperature	[°C]	-20...85
Max. relative air humidity	[%]	90
Protection		IP 65

# SDG080



## Compressed air meter

SDG3"/METRIS PB DN80

### Tests / approvals

EMC	EN 61000-4-2 ESD	4 kV CD / 8 kV AD
	EN 61000-4-3 HF radiated	10 V/m
	EN 61000-4-4 Burst	2 kV
	EN 61000-4-6 HF conducted	10 V
Vibration resistance	DIN IEC 68-2-6	5 g (55...2000 Hz)
MTTF [years]	214	

### Mechanical data

Weight [g]	11625
Material	PBT-GF20; PC; PC; stainless steel (1.4301 / 304); FKM; Pipe section: steel galvanized
Materials (wetted parts)	stainless steel (1.4401 / 316); stainless steel (1.4301 / 304); ceramics glass passivated; PEEK; polyester; FKM; aluminum anodized; Pipe section: steel galvanized
Process connection	flange DN80 according to: DIN 2448

### Remarks

Remarks	MW = Measured value
	MEW = Final value of the measuring range
	Measuring, display and setting ranges refer to standard volume flow according to DIN ISO 2533.
	For information about installation and operation please see the operating instructions.
Pack quantity	1 pcs.

### Electrical connection

Connector: 1 x M12



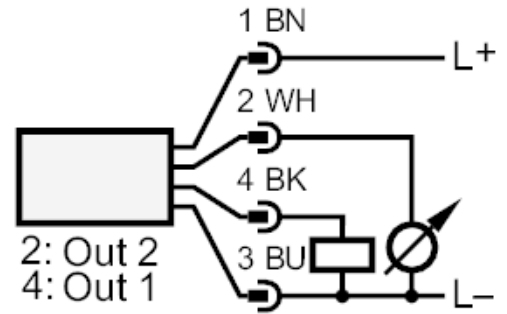
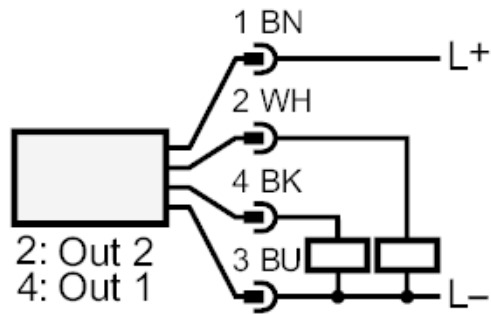
# SDG080



## Compressed air meter

SDG3"/METRIS PB DN80

### Connection



- OUT1:            Switching output  
                  Pulse output quantity meter
- OUT2:            Switching output  
                  Input counter reset  
                  analog output