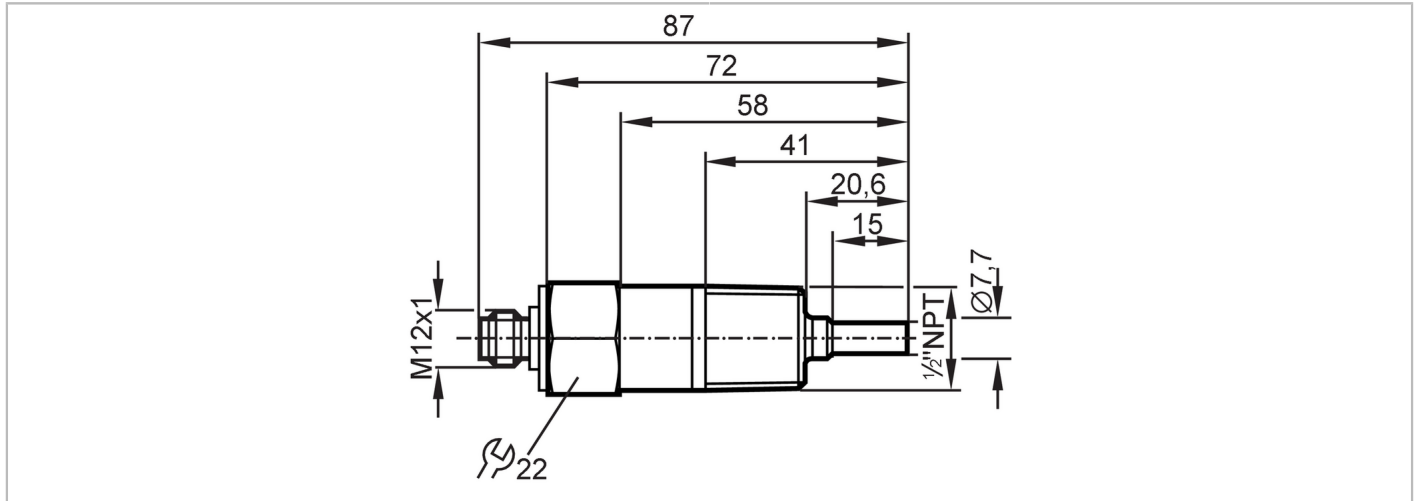


# SC0501



## Flow monitor

SCN12FFBBBOA



### Product characteristics

Number of inputs and outputs	Number of digital outputs: 1
Process connection	threaded connection 1/2" NPT external thread

### Application

Media	water
Medium temperature [°C]	-10...60; (In case of medium temperatures < 4 °C the data refer to water / glycol (40 % glycol).)
Pressure rating	25 bar   2.5 MPa
MAWP (for applications according to CRN) [bar]	25

### Electrical data

Operating voltage tolerance [%]	-15...15
Operating voltage [V]	< 24 AC / 24 DC; (to SELV/PELV)
Current consumption [mA]	< 50
Protection class	III
Reverse polarity protection	yes
Power-on delay time [s]	15

### Inputs / outputs

Number of inputs and outputs	Number of digital outputs: 1
------------------------------	------------------------------

### Outputs

Total number of outputs	1
Output signal	switching signal
Electrical design	PNP
Number of digital outputs	1
Output function	normally open
Max. voltage drop switching output DC [V]	0.8
Permanent current rating of switching output DC [mA]	80
Short-circuit protection	no

# SC0501



## Flow monitor

SCN12FFBBOA

Overload protection	no
---------------------	----

### Measuring/setting range

Note on factory setting	for water (20 °C) and mounting in 4" pipe
Set point SP [cm/s]	15
Note on switch point	fixed
Switch point adjustable	no

### Reaction times

Response time [s]	1...10
-------------------	--------

### Operating conditions

Ambient temperature [°C]	-20...70
Storage temperature [°C]	-40...70
Protection	IP 67

### Tests / approvals

EMC	DIN EN 61000-6-2	
	DIN EN 61000-6-3	
Shock resistance	DIN EN 60068-2-27	50 g (11 ms)
Vibration resistance	DIN EN 60068-2-6	20 g (10...2000 Hz)

### Mechanical data

Weight [g]	125.75
Housing	tubular
Dimensions [mm]	Ø 22 / L = 87
Material	stainless steel (1.4404 / 316L)
Materials (wetted parts)	stainless steel (1.4404 / 316L)
Process connection	threaded connection 1/2" NPT external thread
Probe diameter [mm]	7.7
Installation length EL [mm]	20.6

### Electrical connection

Required protection	miniature fuse to IEC60127-2 sheet 1; ≤ 2 A; fast acting
---------------------	--

### Remarks

Pack quantity	1 pcs.
---------------	--------

### Electrical connection

Connector: 1 x M12; coding: A; Maximum cable length: 10 m



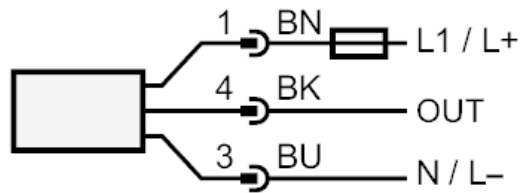
# SC0501



## Flow monitor

SCN12FFBBBOA

### Connection



OUT: Switching output  
Note miniature fuse to IEC60127-2 sheet 1  $\leq$  2 A fast acting  
Colors to DIN EN 60947-5-2  
Core colors :

BK = black  
BN = brown  
BU = blue