

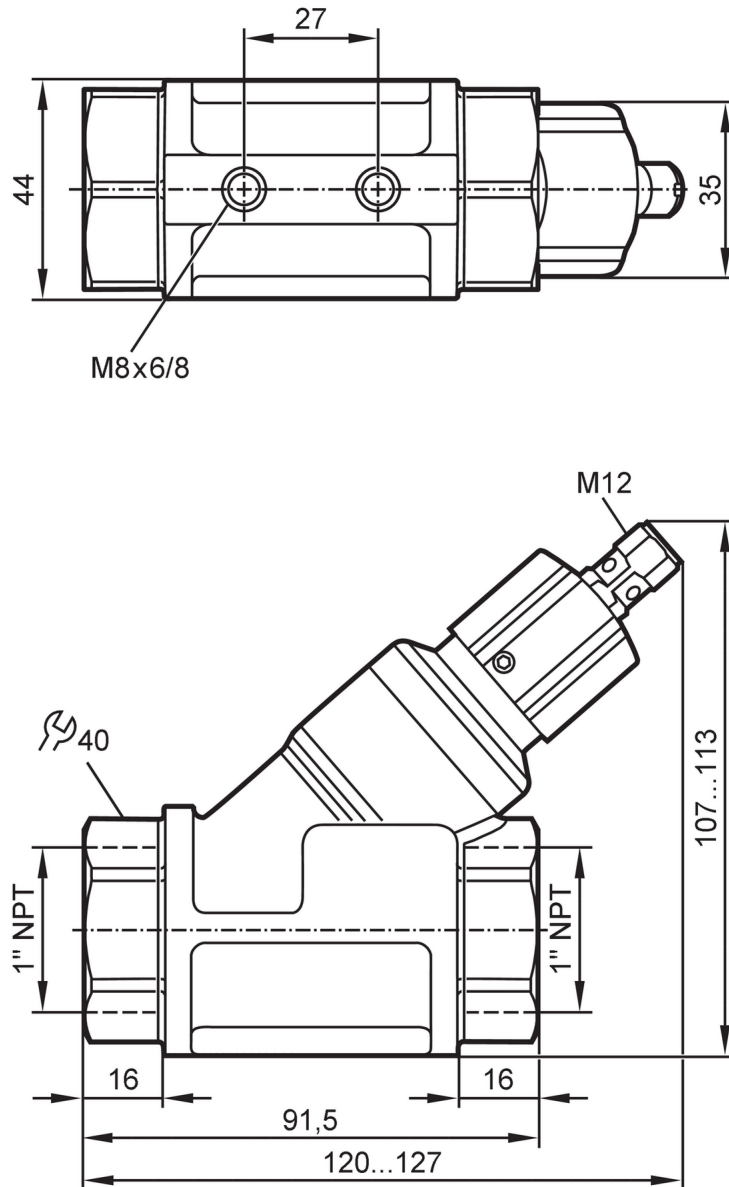
# SBN346



## Flow sensor with fast response time

SBY11BF0BPKG/US

Please note the changed housing design!



### Product characteristics

Number of inputs and outputs	Number of digital outputs: 1
Process connection	threaded connection 1" NPT Internal thread

### Application

Media	Liquids; water; glycol solutions; Coolants
Medium temperature [°F]	32...185
Pressure rating	25 bar / 2.5 MPa

### Electrical data

Operating voltage [V]	10...30 DC; (to SELV/PELV)
Current consumption [mA]	< 15

# SBN346



## Flow sensor with fast response time

SBY11BF0BPKG/US

Protection class	III
Reverse polarity protection	yes
<b>Inputs / outputs</b>	
Number of inputs and outputs	Number of digital outputs: 1
<b>Outputs</b>	
Total number of outputs	1
Output signal	switching signal
Electrical design	PNP
Number of digital outputs	1
Output function	normally open
Max. voltage drop switching output DC [V]	2.5
Permanent current rating of switching output DC [mA]	100
Short-circuit protection	yes
Overload protection	yes
<b>Measuring/setting range</b>	
Setting range [gpm]	1.32...26.4
<b>Accuracy / deviations</b>	
Repeatability [% of the final value]	1
Hysteresis [gpm]	0,8...1,58
Measuring error [% of the final value]	± 5
<b>Reaction times</b>	
Response time [s]	< 0.01
<b>Operating conditions</b>	
Ambient temperature [°F]	32...140
Storage temperature [°F]	5...176
Protection	IP 65; IP 67
<b>Tests / approvals</b>	
EMC	DIN EN 61000-6-2 DIN EN 61000-6-3
Shock resistance	DIN EN 60068-2-27 20 g (11 ms)
Vibration resistance	DIN EN 60068-2-6 5 g (10...2000 Hz)
MTTF [years]	3318
<b>Mechanical data</b>	
Weight [g]	1088.45
Material	brass chemically nickel-plated; PPS; aluminum anodized; PA
Materials (wetted parts)	stainless steel (1.4310 / 301); stainless steel (1.4301 / 304); PBT; brass chemically nickel-plated; PP; PPS; Polyolefin; O-ring: FKM
Process connection	threaded connection 1" NPT Internal thread
Switching cycles mechanical	10 million

# SBN346



## Flow sensor with fast response time

SBY11BF0BPKG/US

### Displays / operating elements

Display	Switching status	4 x LED, yellow
---------	------------------	-----------------

### Accessories

Items supplied	Allen key
----------------	-----------

### Remarks

Remarks	Caution Do not turn the cap beyond the maximum value of the setting range.
---------	--

	All data refer to water (68 °F).
--	----------------------------------

Notes	Please note the changed housing design!
-------	---

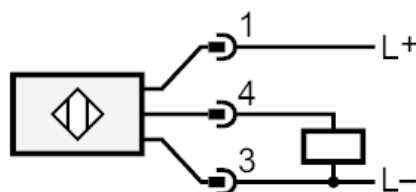
Pack quantity	1 pcs.
---------------	--------

### Electrical connection

Connector: 1 x M12; coding: A; Contacts: 4



### Connection



# SBN346

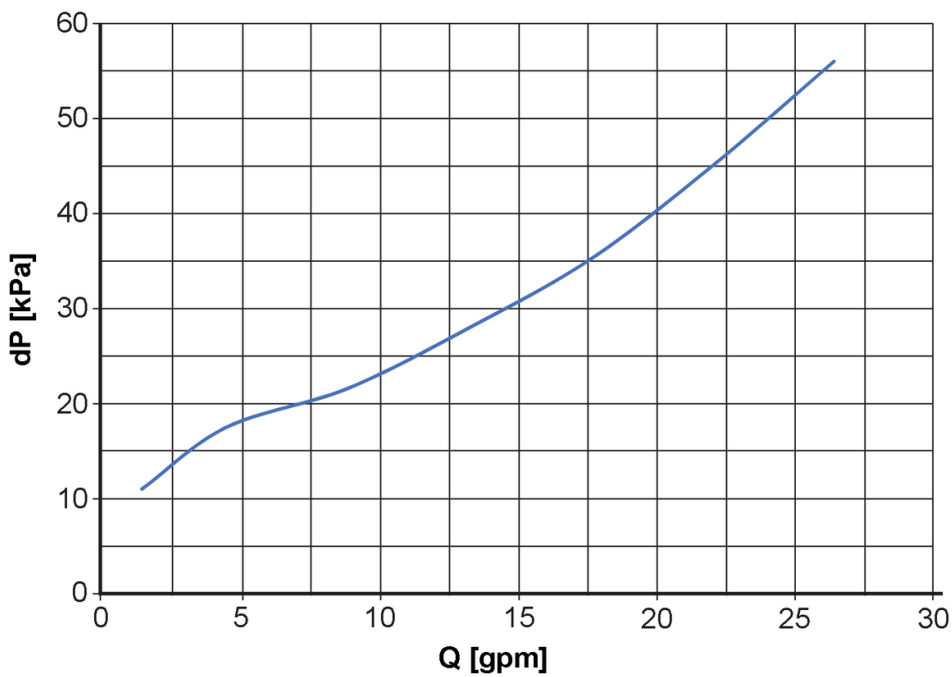


## Flow sensor with fast response time

SBY11BF0BPKG/US

### Diagrams and graphs

Pressure loss



dP Pressure loss  
Q volumetric flow quantity