

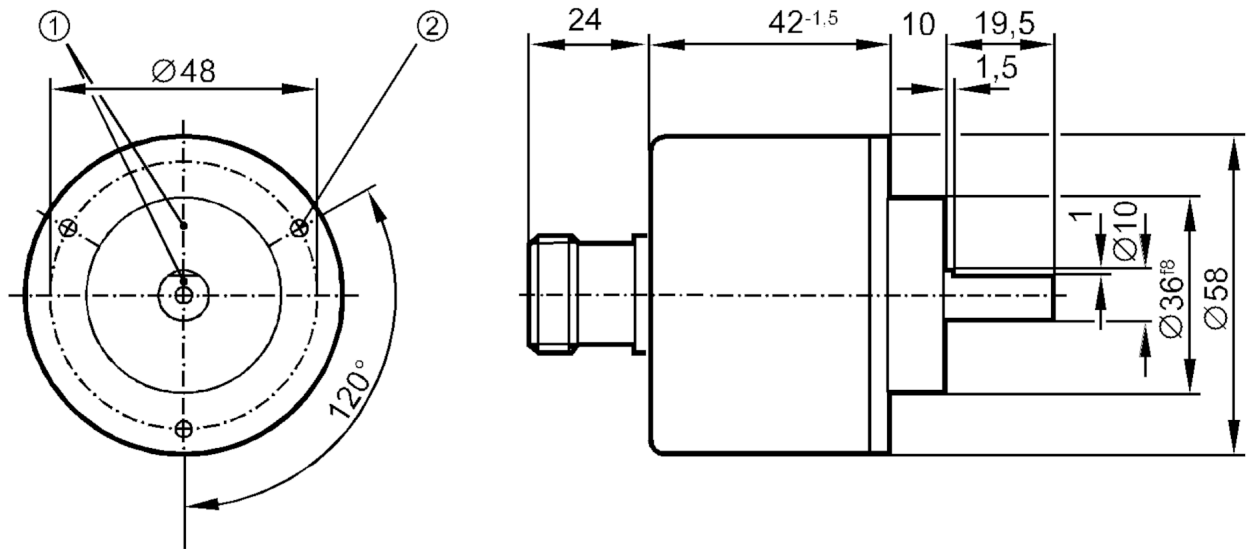
# RV6110



## Incremental encoder with solid shaft

RV-0125-I24/J

Article no longer available - archive entry



- 1 reference mark
- 2 M3 Depth 5 mm



### Product characteristics

Resolution	125 resolution
Shaft design	solid shaft
Shaft diameter [mm]	10

### Electrical data

Operating voltage [V]	10...30 DC
Current consumption [mA]	150

### Outputs

Electrical design	HTL
Max. current load per output [mA]	50
Switching frequency [kHz]	160
Type of short-circuit protection	< 60 s
Phase difference A und B [°]	90

### Measuring/setting range

Resolution	125 resolution
------------	----------------

### Operating conditions

Ambient temperature [°C]	-30...85
Storage temperature [°C]	-30...100
Max. relative air humidity [%]	98
Protection	IP 64

# RV6110



## Incremental encoder with solid shaft

RV-0125-I24/J

### Tests / approvals

Shock resistance		100 g (6 ms)
Vibration resistance		15 g (55...2000 Hz)

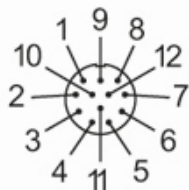
### Mechanical data

Dimensions	[mm]	Ø 58 / L = 95.5
Material		aluminum
Max. revolution, mechanical	[U/min]	12000
Max. starting torque	[Nm]	1
Reference temperature torque	[°C]	20
Shaft design		solid shaft
Shaft diameter	[mm]	10
Shaft material		steel (1.4104)
Max. shaft load axial (at the shaft end)	[N]	10
Max. shaft load radial (at the shaft end)	[N]	20

### Electrical connection

1	B inverted
2	L+ sensor
3	0 index
4	0 index inverted
5	A
6	A inverted
7	error inverted
8	B
9	n.c.
10	0V
11	0V sensor
12	L+

Connector: 1 x M23 (ifm 1001.4), axial



# RV6110

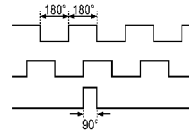


## Incremental encoder with solid shaft

RV-0125-I24/J

### Diagrams and graphs

Pulse diagram



Output A

Output B

0 index

[Article no longer available - archive entry](#)