

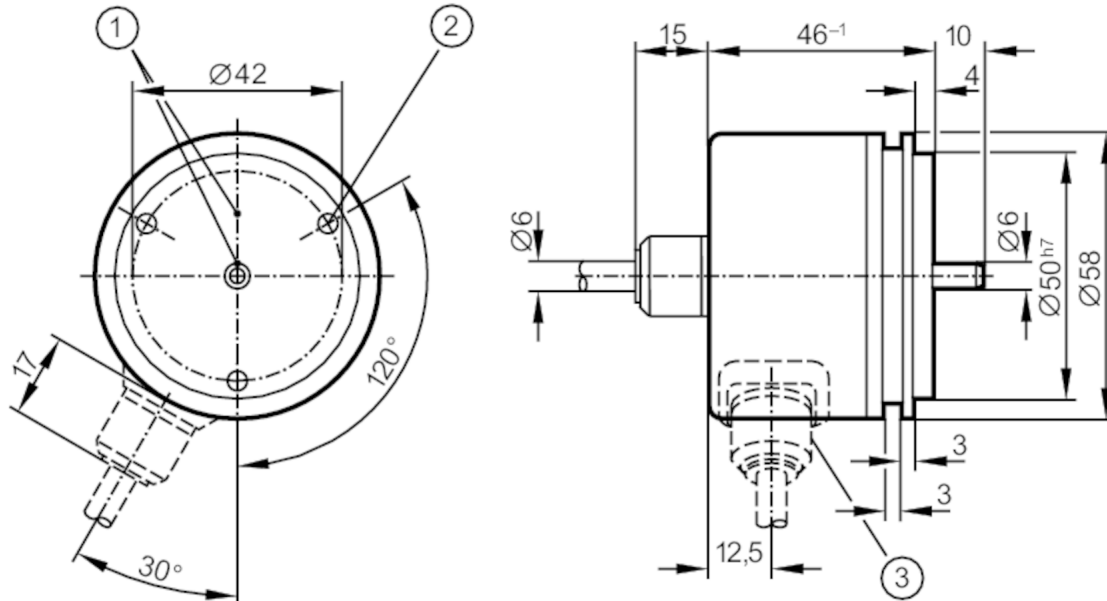
# RU6037



## Incremental encoder with solid shaft

RU-2540-I24/L2

Article no longer available - archive entry



- 1 reference mark
- 2 M4 Depth 5 mm



### Product characteristics

Resolution	2540 resolution
Shaft design	solid shaft
Shaft diameter [mm]	6

### Electrical data

Operating voltage [V]	10...30 DC
Current consumption [mA]	150

### Outputs

Electrical design	HTL
Max. current load per output [mA]	50
Switching frequency [kHz]	300
Type of short-circuit protection	< 60 s
Phase difference A und B [°]	90

### Measuring/setting range

Resolution	2540 resolution
------------	-----------------

### Operating conditions

Ambient temperature [°C]	-20...85
Storage temperature [°C]	-30...100
Max. relative air humidity [%]	98
Protection	IP 64

# RU6037



## Incremental encoder with solid shaft

RU-2540-I24/L2

Tests / approvals		
Shock resistance		100 g (6 ms)
Vibration resistance		10 g (55...2000 Hz)
Mechanical data		
Dimensions [mm]		Ø 58 / L = 46
Material		aluminum
Max. revolution, mechanical [U/min]		12000
Max. starting torque [Nm]		1
Reference temperature torque [°C]		20
Shaft design		solid shaft
Shaft diameter [mm]		6
Shaft material		steel (1.4104)
Max. shaft load axial (at the shaft end) [N]		10
Max. shaft load radial (at the shaft end) [N]		20
Fixing flange		Synchro-flange

### Electrical connection

Cable: 2 m, PUR; axial

brown	A
green	A inverted
grey	B
pink	B inverted
red	0 index
black	0 index inverted
blue	L+ sensor
white	0V sensor
brown/green	L+ (Up)
white/green	0V (Un)
lilac	error inverted
screen	housing

### Diagrams and graphs

Pulse diagram	<p>Output A</p> <p>Output B</p> <p>0 index</p>
---------------	--

Article no longer available - archive entry