

# RP1010

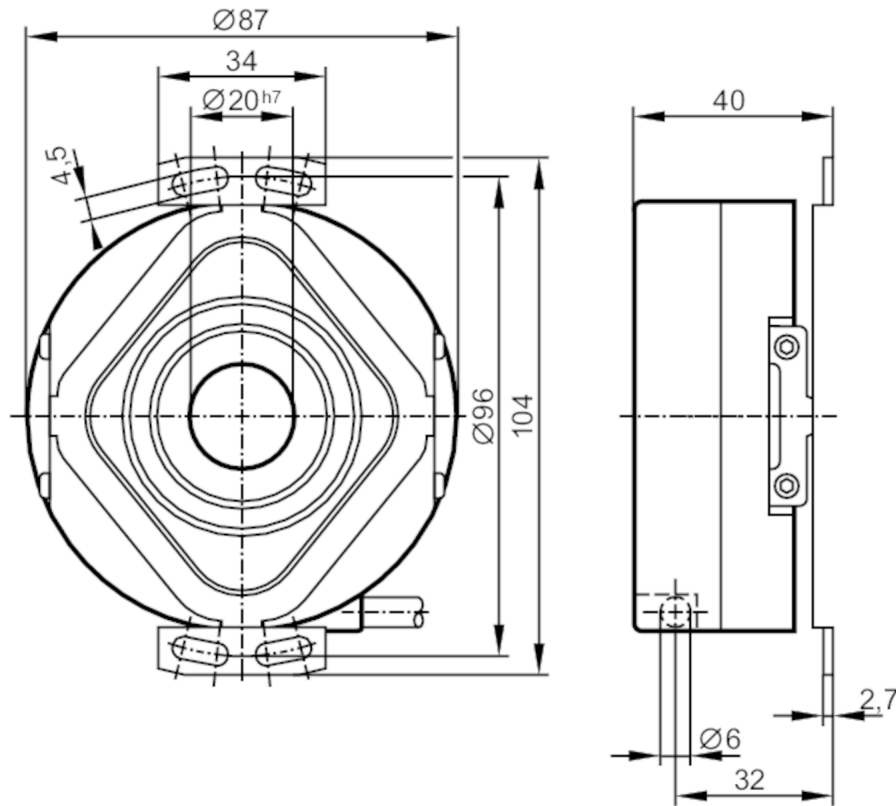


## Incremental encoder with hollow shaft

RP-1024-I05/N10

Article no longer available - archive entry

Discontinuation date: 31.03.2016



### Product characteristics

Resolution	1024 resolution
Shaft design	continuous hollow shaft
Shaft diameter [mm]	20

### Application

Function principle	incremental
--------------------	-------------

### Electrical data

Operating voltage tolerance [%]	10
Operating voltage [V]	5 DC
Current consumption [mA]	< 150

### Outputs

Electrical design	TTL
Max. current load per output [mA]	20
Switching frequency [kHz]	300
Phase difference A und B [°]	90

# RP1010



## Incremental encoder with hollow shaft

RP-1024-I05/N10

Measuring/setting range	
Resolution	1024 resolution
Operating conditions	
Ambient temperature [°C]	-30...60
Note on ambient temperature	higher temperature upon request for the diagram see the installation instructions
Storage temperature [°C]	-30...100
Max. relative air humidity [%]	75; (briefly: 95 %; Condensation not permissible)
Protection	IP 64
Tests / approvals	
Shock resistance	100 g (6 ms)
Vibration resistance	10 g (55...2000 Hz)
MTTF [years]	57
Mechanical data	
Weight [g]	956.3
Dimensions [mm]	Ø 87 / L = 40
Material	aluminum
Max. revolution, mechanical [U/min]	6000
Max. starting torque [Nm]	15
Reference temperature torque [°C]	20
Shaft design	continuous hollow shaft
Shaft diameter [mm]	20
Shaft fit	H7
Shaft material	steel (1.4104)
Installation depth/shaft [mm]	> 46
Max. axial shaft misalignment [mm]	1,5; (Only to compensate for installation tolerances and thermal expansion.; No dynamic movement allowed.)
Remarks	
Notes	Discontinued article

# RP1010



## Incremental encoder with hollow shaft

RP-1024-I05/N10

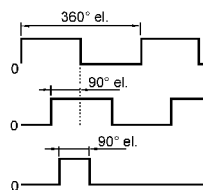
### Electrical connection

Cable: 1 m, PUR; radial

brown	A
green	A inverted
grey	B
pink	B inverted
red	0 index
black	0 index inverted
blue	L+ sensor
white	0V sensor
brown/green	L+ (Up)
white/green	0V (Un)
lilac	error inverted
screen	housing

### Diagrams and graphs

Pulse diagram



Output A

Output B

0 index

Article no longer available - archive entry

Discontinuation date: 31.03.2016