

# RO6346

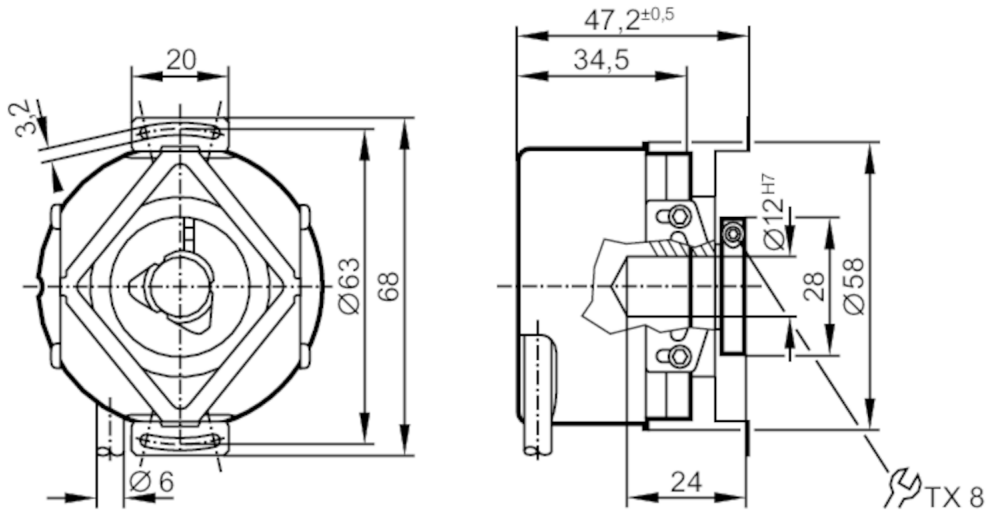


## Incremental encoder with hollow shaft

RO-2048-I24/N1U

Article no longer available - archive entry

Alternative article: ROP521 + E12402 When selecting an alternative article and accessories please note that technical data may differ! – When selecting an alternative article and accessories please note that technical data may differ! – Discontinuation date: 31.03.2016



Product characteristics	
Resolution	2048 resolution
Shaft design	hollow shaft open to one side
Shaft diameter [mm]	12
Application	
Function principle	incremental
Electrical data	
Operating voltage [V]	10...30 DC
Current consumption [mA]	< 150
Outputs	
Electrical design	HTL
Max. current load per output [mA]	50
Switching frequency [kHz]	300
Type of short-circuit protection	< 60 s
Phase difference A und B [°]	90
Measuring/setting range	
Resolution	2048 resolution

# RO6346



## Incremental encoder with hollow shaft

RO-2048-I24/N1U

Operating conditions	
Ambient temperature [°C]	-30...85
Note on ambient temperature	firmly laid cable: -30 °C
Max. relative air humidity [%]	98
Protection	IP 64; (on the housing: IP 67; on the shaft: IP 64)
Tests / approvals	
Shock resistance	200 g
Vibration resistance	30 g
MTTF [years]	190
Mechanical data	
Weight [g]	450
Dimensions [mm]	Ø 58 / L = 35.5
Material	aluminum
Max. revolution, mechanical [U/min]	12000
Max. starting torque [Nm]	1
Reference temperature torque [°C]	20
Shaft design	hollow shaft open to one side
Shaft diameter [mm]	12
Shaft fit	H7
Shaft material	stainless steel
Installation depth/shaft [mm]	10
Max. axial shaft misalignment [mm]	1; (max. radial shaft alignment: ± 0,05 mm)
Remarks	
Notes	Discontinued article
Electrical connection	
Cable: 1 m, PUR; Maximum cable length: 300 m; radial, can also be used axially	
brown	A
green	A inverted
grey	B
pink	B inverted
red	0 index
black	0 index inverted
blue	10...30V sensor
white	0V sensor
brown/green	10...30V (Up)
white/green	0V (Un)
screen	housing
lilac	error inverted

# RO6346

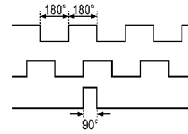


## Incremental encoder with hollow shaft

RO-2048-I24/N1U

### Diagrams and graphs

Pulse diagram



Output A

Output B

0 index

Article no longer available - archive entry

Alternative article: ROP521 + E12402 When selecting an alternative article and accessories please note that technical data may differ! – When selecting an alternative article and accessories please note that technical data may differ! – Discontinuation date: 31.03.2016