

# RO1355

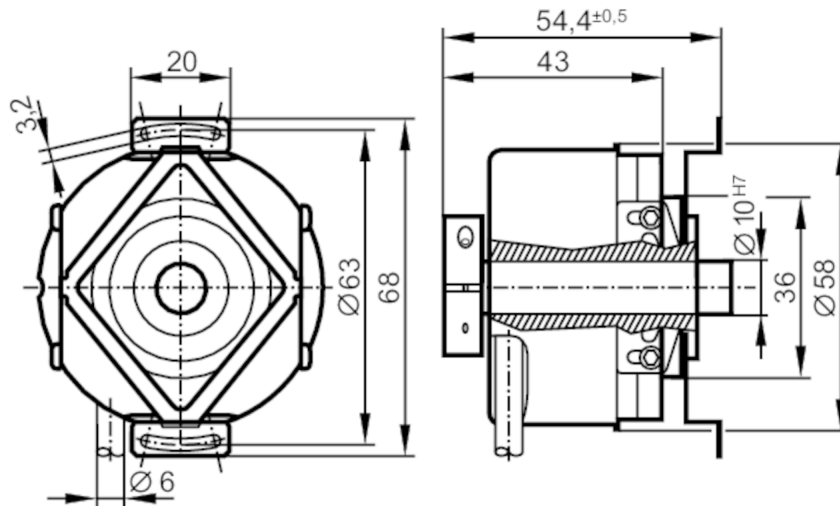


## Incremental encoder with hollow shaft

RO-7200-I05/N11

Article no longer available - archive entry

Discontinuation date: 31.03.2016



### Product characteristics

Resolution	7200 resolution
Shaft design	continuous hollow shaft
Shaft diameter [mm]	10

### Application

Function principle	incremental
--------------------	-------------

### Electrical data

Operating voltage tolerance [%]	10
Operating voltage [V]	5 DC
Current consumption [mA]	< 150

### Outputs

Electrical design	TTL
Max. current load per output [mA]	20
Switching frequency [kHz]	300
Phase difference A und B [°]	90

### Measuring/setting range

Resolution	7200 resolution
------------	-----------------

### Operating conditions

Ambient temperature [°C]	-30...100
Max. relative air humidity [%]	98
Protection	IP 64; (on the housing: IP 66; on the shaft: IP 64)

# RO1355



## Incremental encoder with hollow shaft

RO-7200-I05/N11

Tests / approvals		
Shock resistance		100 g (6 ms)
Vibration resistance		10 g (55...2000 Hz)
MTTF	[years]	190

Mechanical data		
Weight	[g]	448.6
Dimensions	[mm]	Ø 58 / L = 54.4
Material		aluminum
Max. revolution, mechanical	[U/min]	12000; (when using both shaft clamping rings)
Max. starting torque	[Nm]	2.5
Reference temperature torque	[°C]	20
Shaft design		continuous hollow shaft
Shaft diameter	[mm]	10
Shaft fit		H7
Shaft material		stainless steel
Installation depth/shaft	[mm]	10
Max. axial shaft misalignment	[mm]	1; (max. radial shaft alignment: ± 0,05 mm)

Remarks	
Notes	Discontinued article

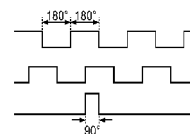
### Electrical connection

Cable: 1 m, PUR; radial, can also be used axially

brown	A
green	A inverted
grey	B
pink	B inverted
red	0 index
black	0 index inverted
blue	L+ sensor
white	0V sensor
brown/green	L+ (Up)
white/green	0V (Un)
lilac	error inverted
screen	housing

### Diagrams and graphs

Pulse diagram



Output A  
Output B  
0 index

# RO1355

## Incremental encoder with hollow shaft

RO-7200-I05/N11



Article no longer available - archive entry

Discontinuation date: 31.03.2016