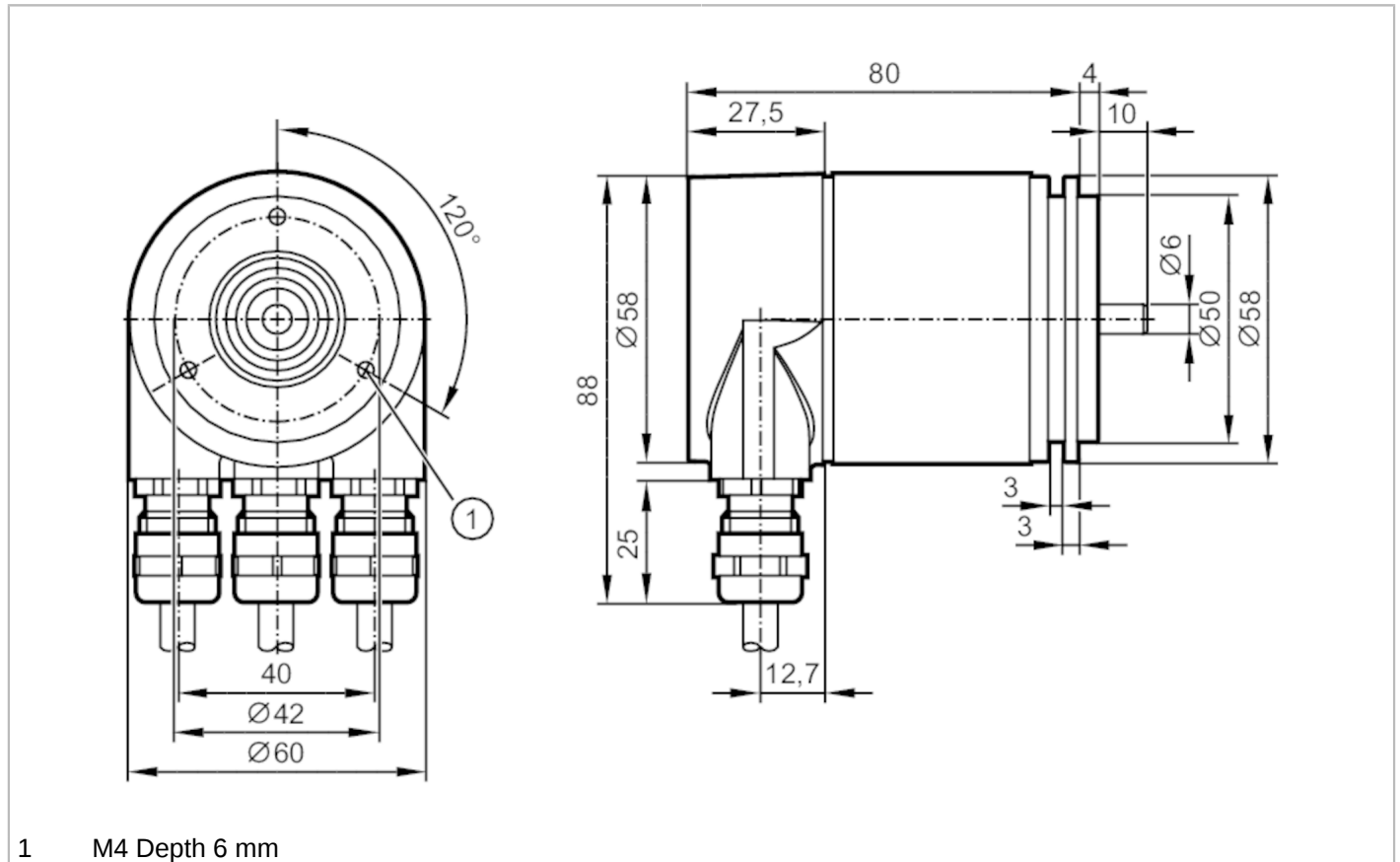


# RM7011



## Absolute multiturn encoder with solid shaft

RMS0025-C24/E



Product characteristics	
Resolution	8192 steps; 4096 revolutions; 25 bit
Communication interface	CAN
Shaft design	solid shaft
Shaft diameter [mm]	6
Application	
Function principle	absolute
Revolution type	multiturn
Electrical data	
Operating voltage [V]	10...30 DC
Current consumption [mA]	230; ((10 V DC); 100 (24 V DC))
Reverse polarity protection	yes
Outputs	
Code	binary
Measuring/setting range	
Resolution	8192 steps; 4096 revolutions; 25 bit
Software / programming	
Parameter setting options	CAN parameter; scaling; preset; Baud rate; Direction of rotation; Node ID
Addressing	address selector switch; 0...126

# RM7011



## Absolute multiturn encoder with solid shaft

RMS0025-C24/E

Interfaces		
Communication interface	CAN	
CAN		
Protocol	CANopen	
Factory settings	Baud rate: 125 kBit/s node ID: 32	
Version	DSP - 406 V3.1; DS 301 V4.02; DS 306 V2.0	
Operating conditions		
Ambient temperature [°C]	-40...85	
Max. relative air humidity [%]	98	
Protection	IP 65; (on the housing: IP 65; on the shaft: IP 64)	
Tests / approvals		
Shock resistance	100 g (6 ms)	
Vibration resistance	10 g (10...1000 Hz)	
MTTF [years]	13	
Mechanical data		
Weight [g]	567.5	
Dimensions [mm]	Ø 58 / L = 94	
Material	aluminum	
Max. revolution, mechanical [U/min]	6000	
Shaft design	solid shaft	
Shaft diameter [mm]	6	
Shaft material	steel (1.4104)	
Max. shaft load axial (at the shaft end) [N]	40	
Max. shaft load radial (at the shaft end) [N]	110	
Fixing flange	Synchro-flange	
Displays / operating elements		
Display	Preoperational Mode	LED, green flashing
	Operational Mode	LED, green
	Error message	LED, red flashing
Electrical connection		
Terminal strip in the terminal chamber:		