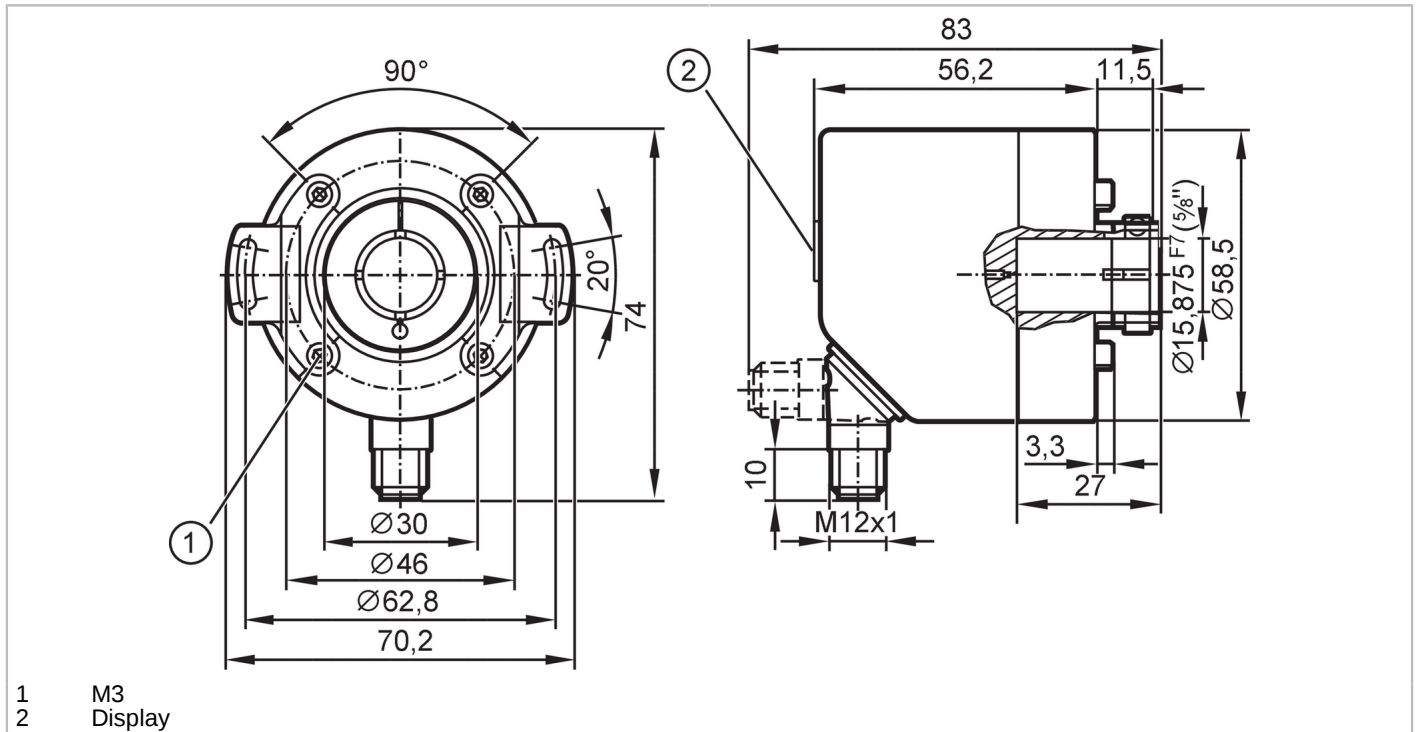


# ROP524



## Incremental encoder with hollow shaft and display

INCREMENTAL ENCODER PERFORMANCE LINE



- 1 M3 Display
- 2 Display



Product characteristics	
Resolution	1...10000; (configurable; Factory setting: 1024) resolution
Communication interface	IO-Link
Shaft design	hollow shaft open to one side
Shaft diameter [mm]	15.875
Application	
Function principle	incremental
Detection system	magnetic
Application	encoder; Speed monitor; Counter
Electrical data	
Operating voltage [V]	4.75...30 DC
Current consumption [mA]	< 350
Protection class	III
Reverse polarity protection	yes
Max. revolution electrical [U/min]	12000
Outputs	
Electrical design	HTL/TTL
Switching frequency [kHz]	1000
Factory setting	Output function: HTL (50 mA)
Short-circuit protection	yes
Phase difference A und B [°]	90
Measuring/setting range	
Resolution	1...10000; (configurable; Factory setting: 1024) resolution

# ROP524



## Incremental encoder with hollow shaft and display

INCREMENTAL ENCODER PERFORMANCE LINE

<b>Speed monitor</b>		
Set point SP	-9994...9999 U/min	-166.6...166.7 Hz
Reset point rP	-9999...9994 U/min	-166.7...166.6 Hz
<b>Counter</b>		
Preset point	1...9999	
<b>Accuracy / deviations</b>		
Accuracy	[°]	0.1
<b>Software / programming</b>		
Parameter setting options	encoder; Resolution; Direction of rotation; HTL; TTL; Speed monitor; Resolution	
<b>Interfaces</b>		
Communication interface	IO-Link	
Transmission type	COM2 (38,4 kBaud)	
IO-Link revision	1.1	
Profiles	Smart Sensor - SSP 0	Generic Profiled Sensor
	Function	Device identification
	Function	Process data variable
	Function	Device diagnosis
SIO mode	yes	
Min. process cycle time	[ms]	2.7
Supported DeviceIDs	<b>Type of operation</b>	<b>DeviceID</b>
	default	496
<b>Operating conditions</b>		
Ambient temperature	[°C]	-40...85
Storage temperature	[°C]	-40...85
Max. relative air humidity	[%]	95; (Condensation not permissible)
Protection	IP 65; (on the housing: IP 67; on the shaft: IP 65)	
<b>Tests / approvals</b>		
Shock resistance	100 g	
Vibration resistance	20 g	
MTTF	[years]	218
<b>Mechanical data</b>		
Weight	[g]	465.5
Housing	tubular	
Dimensions	[mm]	Ø 58.5 / L = 69
Material	flange: aluminum; housing: stainless steel (1.4521 / 444); display window: PEI	
Max. revolution, mechanical	[U/min]	12000
Max. starting torque	[Nm]	0.02
Reference temperature torque	[°C]	20
Shaft design	hollow shaft open to one side	
Shaft diameter	[mm]	15.875
Shaft material	stainless steel	
Installation depth/shaft	[mm]	27
Max. axial shaft misalignment	[mm]	0,5

# ROP524



## Incremental encoder with hollow shaft and display

INCREMENTAL ENCODER PERFORMANCE LINE

Fixing flange	Ø 58.5 mm
---------------	-----------

### Displays / operating elements

Display	10-segment display, red/green 4-digit configurable
	2 x LED, yellow
	5 x LED, green

### Accessories

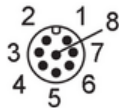
Items supplied	Stator coupling: 2
----------------	--------------------

### Remarks

Pack quantity	1 pcs.
---------------	--------

### Electrical connection

Connector: 1 x M12, radial, can also be used axially; coding: A; Moulded body: stainless steel (1.4401 / 316); Maximum cable length: 100 m; (IO-Link: max. 20 m)



### IO-Link

1	L+
2	not to be used
3	L-
4	IO-Link
5	not to be used
6	not to be used
7	not to be used
8	not to be used
screen	plug

### encoder

1	UB
2	A
3	GND
4	Z/0-Pulse (90 deg)
5	B
6	A-
7	B-
8	Z-
screen	plug

### Preset counter

1	UB
2	IN1
3	GND
4	not to be used
5	OUT1
6	not to be used
7	not to be used
8	not to be used
screen	plug

# ROP524



## Incremental encoder with hollow shaft and display

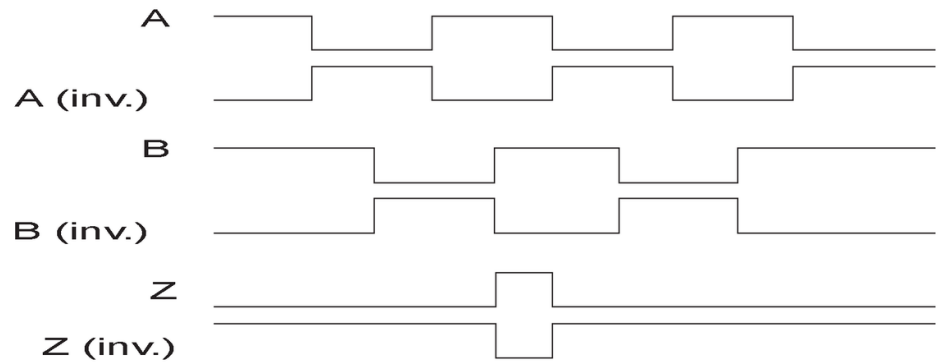
INCREMENTAL ENCODER PERFORMANCE LINE

### Speed monitor

1	UB
2	OUT2
3	GND
4	not to be used
5	OUT1
6	OUT2-
7	OUT1-
8	not to be used
screen	plug

### Diagrams and graphs

#### Pulse diagram



Direction of rotation clockwise (looking at the shaft)