

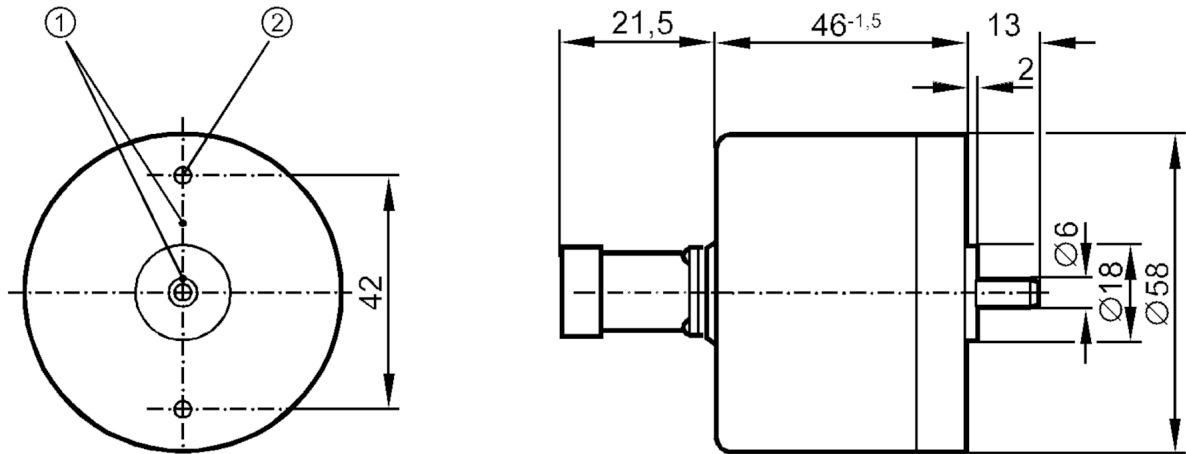
RC6040



Incremental encoder with solid shaft

RC-0040-I24/J

Article no longer available - archive entry



- 1 reference mark
- 2 M3 Depth 5 mm



Product characteristics

Resolution	40 resolution
Shaft design	solid shaft
Shaft diameter [mm]	6

Electrical data

Operating voltage [V]	10...30 DC
Current consumption [mA]	150

Outputs

Electrical design	HTL
Max. current load per output [mA]	50
Switching frequency [kHz]	160
Type of short-circuit protection	< 60 s
Phase difference A und B [°]	90

Measuring/setting range

Resolution	40 resolution
------------	---------------

Operating conditions

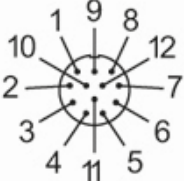
Ambient temperature [°C]	-20...85
Storage temperature [°C]	-30...100
Max. relative air humidity [%]	98
Protection	IP 64

RC6040



Incremental encoder with solid shaft

RC-0040-I24/J

Tests / approvals	
Shock resistance	100 g (6 ms)
Vibration resistance	15 g (55...2000 Hz)
Mechanical data	
Dimensions [mm]	Ø 58 / L = 80.5
Material	aluminum
Max. revolution, mechanical [U/min]	12000
Max. starting torque [Nm]	1
Reference temperature torque [°C]	20
Shaft design	solid shaft
Shaft diameter [mm]	6
Shaft material	steel (1.4104)
Max. shaft load axial (at the shaft end) [N]	10
Max. shaft load radial (at the shaft end) [N]	20
Electrical connection	
1	B inverted
2	n.c.
3	0 index
4	0 index inverted
5	A
6	A inverted
7	error inverted
8	B
9	n.c.
10	0V
11	n.c.
12	L+
Connector: 1 x M23 (ifm 1001.4), axial	
	

RC6040

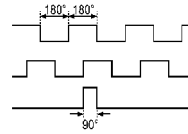


Incremental encoder with solid shaft

RC-0040-I24/J

Diagrams and graphs

Pulse diagram



Output A

Output B

0 index

[Article no longer available - archive entry](#)