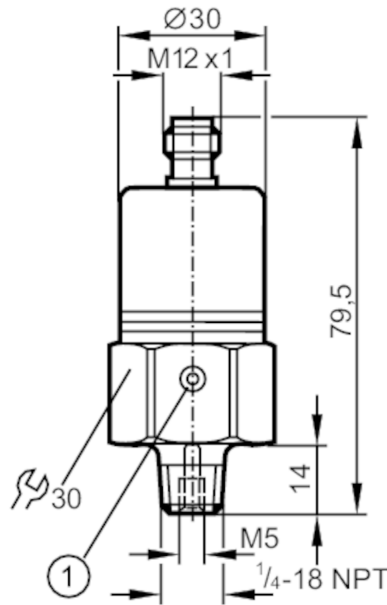


PX9119



Pressure transmitter with ceramic measuring cell

PA-0-1PRBN14-B-DVG/US/ IV



1 ventilation



Product characteristics

Number of inputs and outputs	Number of analog outputs: 1	
Measuring range	-14.5...0 psi	-100...0 kPa
Process connection	threaded connection 1/4" NPT external thread Internal thread:M5	

Application

Special feature	gold-plated contacts	
Application	for industrial applications	
Media	liquids and gases	
Medium temperature [°C]	-25...90	
Min. burst pressure	450 psi	3.1 MPa
Pressure rating	145 psi	1 MPa
Type of pressure	relative pressure; vacuum	

Electrical data

Operating voltage [V]	16...32 DC	
Current consumption [mA]	< 18	
Min. insulation resistance [MΩ]	100; (500 V DC)	
Protection class	III	
Reverse polarity protection	yes	

Inputs / outputs

Number of inputs and outputs	Number of analog outputs: 1	
------------------------------	-----------------------------	--

Outputs

Total number of outputs	1	
Output signal	analog signal	
Number of analog outputs	1	

PX9119



Pressure transmitter with ceramic measuring cell

PA-0-1PRBN14-B-DVG/US/ IV

Analog voltage output	[V]	10...0
Min. load resistance	[Ω]	2000
Overload protection		yes

Measuring/setting range

Measuring range	-14.5...0 psi	-100...0 kPa
-----------------	---------------	--------------

Accuracy / deviations

Repeatability	[% of the span]	< 0,1; (with temperature fluctuations < 10 K)
Characteristics deviation	[% of the span]	< ± 0,25 (BFSL) / < ± 0,5 (LS); (BFSL = Best Fit Straight Line; LS = limit value setting)
Long-term stability	[% of the span]	< ± 0,05; (per 6 months)
Temperature coefficient zero point	[% of the span / 10 K]	0,15; (0...80 °C)
Temperature coefficient span	[% of the span / 10 K]	0,2; (0...80 °C)

Reaction times

Step response time analog output	[ms]	3
----------------------------------	------	---

Operating conditions

Ambient temperature	[°C]	-25...80
Storage temperature	[°C]	-40...100
Protection		IP 65

Tests / approvals

EMC	EN 61000-4-2 ESD	4 kV CD / 8 kV AD
	EN 61000-4-3 HF radiated	30 V/m
	EN 61000-4-4 Burst	2 kV
	EN 61000-4-6 HF conducted	10 V
	radiation of interference	according to the automotive directive 2004/104/EC / CISPR 25
	noise immunity	according to the automotive directive 2004/104/EC / ISO 11452-2
	HF radiated	100 V/m
	pulse resistance	ISO 7637-2 / severity level 3
Shock resistance	DIN IEC 68-2-27	50 g (11 ms)
Vibration resistance	DIN IEC 68-2-6	20 g (10...2000 Hz)
MTTF	[years]	531
Pressure equipment directive		sound engineering practice; can be used for group 2 fluids; group 1 fluids on request

Mechanical data

Weight	[g]	212.5
Housing		tubular
Dimensions	[mm]	Ø 30 / L = 79.5
Material		stainless steel (1.4404 / 316L); FKM; PA; EPDM/X
Materials (wetted parts)		stainless steel (1.4305 / 303); ceramics; FKM
Min. pressure cycles		100 million
Process connection		threaded connection 1/4" NPT external thread Internal thread:M5

PX9119



Pressure transmitter with ceramic measuring cell

PA-0-1PRBN14-B-DVG/US/ IV

Restrictor element integrated

no (can be retrofitted)

Remarks

Pack quantity

1 pcs.

Electrical connection

Connector: 1 x M12; coding: A; Contacts: gold-plated



Connection

