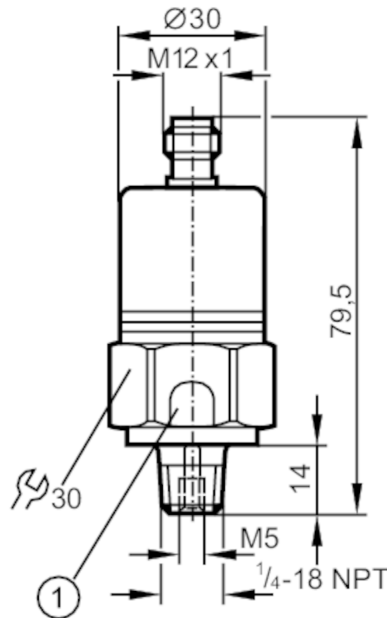


# PX3220



## Pressure transmitter with ceramic measuring cell

PA-500PSBN14-A-ZVG/US/ IV



- 1 Pressure relief mechanism  
No mechanical force must be exerted on the pressure relief mechanism.



### Product characteristics

Number of inputs and outputs	Number of analog outputs: 1	
Measuring range	0...5000 psi	0...34500 kPa
Process connection	threaded connection 1/4" NPT external thread Internal thread:M5	

### Application

Special feature	gold-plated contacts	
Application	for industrial applications	
Media	liquids and gases	
Conditionally suitable for	For gaseous media the application is limited to max. 25 bar.	
Medium temperature [°C]	-25...90	
Min. burst pressure	17400 psi	120 MPa
Pressure rating	11600 psi	80 MPa
Type of pressure	relative pressure	

### Electrical data

Operating voltage [V]	9.6...32 DC	
Min. insulation resistance [MΩ]	100; (500 V DC)	
Protection class	III	
Reverse polarity protection	yes	

### Inputs / outputs

Number of inputs and outputs	Number of analog outputs: 1	
------------------------------	-----------------------------	--

### Outputs

Total number of outputs	1	
Output signal	analog signal	

# PX3220



## Pressure transmitter with ceramic measuring cell

PA-500PSBN14-A-ZVG/US/ IV

Number of analog outputs		1
Analog current output	[mA]	4...20
Max. load	[Ω]	720; (U <sub>b</sub> = 24 V; (U <sub>b</sub> - 9,6 V) / 20 mA)
Overload protection		yes
<b>Measuring/setting range</b>		
Measuring range		0...5000 psi      0...34500 kPa
<b>Accuracy / deviations</b>		
Repeatability	[% of the span]	< 0,15; (with temperature fluctuations < 10 K)
Characteristics deviation	[% of the span]	< ± 0,35 (BFSL) / < ± 0,75 (LS); (BFSL = Best Fit Straight Line; LS = limit value setting)
Long-term stability	[% of the span]	< ± 0,05; (per 6 months)
Temperature coefficient zero point	[% of the span / 10 K]	0,3; (0...80 °C)
Temperature coefficient span	[% of the span / 10 K]	0,4; (0...80 °C)
<b>Reaction times</b>		
Step response time analog output	[ms]	3
<b>Operating conditions</b>		
Ambient temperature	[°C]	-25...80
Storage temperature	[°C]	-40...100
Protection		IP 68; IP 69K
<b>Tests / approvals</b>		
EMC	EN 61000-4-2 ESD	4 kV CD / 8 kV AD
	EN 61000-4-3 HF radiated	30 V/m
	EN 61000-4-4 Burst	2 kV
	EN 61000-4-6 HF conducted	10 V
	radiation of interference	according to the automotive directive 2004/104/EC / CISPR 25
	noise immunity	according to the automotive directive 2004/104/EC / ISO 11452-2
	HF radiated	100 V/m
	pulse resistance	ISO 7637-2 / severity level 3
Shock resistance	DIN IEC 68-2-27	50 g (11 ms)
Vibration resistance	DIN IEC 68-2-6	20 g (10...2000 Hz)
MTTF	[years]	555
Pressure equipment directive		sound engineering practice; can be used for group 2 fluids; group 1 fluids on request
<b>Mechanical data</b>		
Weight	[g]	208
Housing		tubular
Dimensions	[mm]	Ø 30 / L = 79,5
Material		stainless steel (1.4404 / 316L); FKM; PA; EPDM/X
Materials (wetted parts)		stainless steel (1.4305 / 303); ceramics; FKM
Min. pressure cycles		100 million

# PX3220



## Pressure transmitter with ceramic measuring cell

PA-500PSBN14-A-ZVG/US/ IV

Process connection	threaded connection 1/4" NPT external thread Internal thread:M5
Restrictor element integrated	yes

### Remarks

Pack quantity	1 pcs.
---------------	--------

### Electrical connection

Connector: 1 x M12; coding: A; Contacts: gold-plated



### Connection

