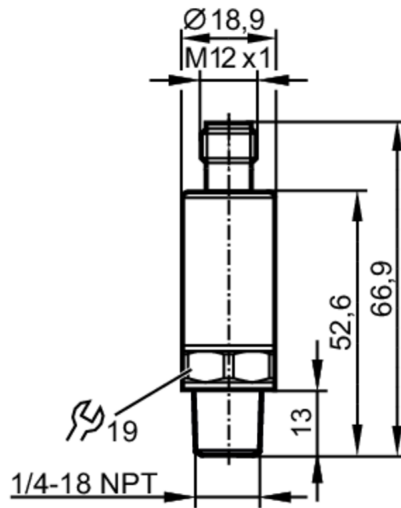


PV7604



Pressure switch with IO-Link

PV-010-SEN14-UFRVG/US/ I



Product characteristics	
Number of inputs and outputs	Number of digital outputs: 2
Measuring range	-1...10 bar -14.5...145 psi -100...1000 kPa -0.1...1 MPa
Process connection	threaded connection 1/4" NPT external thread Internal thread:M5
Application	
Measuring element	metallic thin film cell
Application	for industrial applications
Media	liquids and gases
Medium temperature [°C]	-40...90
Min. burst pressure	300 bar 4350 psi 30 MPa
Pressure rating	25 bar 360 psi 2.5 MPa
Note on pressure rating	static
Vacuum resistance	-1000 mbar -0.1 MPa
Type of pressure	relative pressure; vacuum
MAWP (for applications according to CRN) [bar]	25
Electrical data	
Operating voltage [V]	18...30 DC
Current consumption [mA]	< 15
Min. insulation resistance [MΩ]	100; (500 V DC)
Protection class	III
Reverse polarity protection	yes
Power-on delay time [s]	< 0.3
Inputs / outputs	
Number of inputs and outputs	Number of digital outputs: 2
Outputs	
Total number of outputs	2

PV7604



Pressure switch with IO-Link

PV-010-SEN14-UFRVG/US/ I

Output signal	switching signal; IO-Link; (configurable)
Electrical design	PNP/NPN
Number of digital outputs	2
Output function	normally open / closed; (configurable)
Max. voltage drop switching output DC [V]	2
Permanent current rating of switching output DC [mA]	100
Switching frequency DC [Hz]	< 170
Short-circuit protection	yes
Type of short-circuit protection	yes (non-latching)
Overload protection	yes

Measuring/setting range

Measuring range	-1...10 bar	-14.5...145 psi	-100...1000 kPa	-0.1...1 MPa
Set point SP	-0.9...10 bar	-13.1...145 psi	-0.09...1 MPa	
Reset point rP	-0.95...9.95 bar	-13.8...144.3 psi	-0.095...0.995 MPa	
In steps of	0.005 bar	0.1 psi	0.0005 MPa	
Factory setting	SP1 = 2.5 bar	rP1 = 2.3 bar	ou1 = Hno;	
	SP2 = 7.5 bar	rP2 = 7.3 bar	ou2 = Hno;	
	dS1/dS2 = 0 ms	dr1/dr2 = 0 ms		
	coF = 0 %	P-n = PnP	dAP= 60 ms	

Accuracy / deviations

Switch point accuracy [% of the span]	< ± 0,5 (nach DIN EN 61298-2)		
Repeatability [% of the span]	< ± 0,05; (with temperature fluctuations < 10 K)		
Characteristics deviation [% of the span]	< ± 0,5; (linearity incl. hysteresis and repeatability, limit value setting to DIN EN IEC 62828-1)		
Linearity deviation [% of the span]	< ± 0,1 (BFSL) / < ± 0,2 (LS)		
Zero-point stabilization [% of the span]	IO-Link	1,0; (see operating instructions zero-point behavior)	
	Switching output	1,0	
Hysteresis deviation [% of the span]	< ± 0,2		
Long-term stability [% of the span]	< ± 0,1; (per 6 months)		
Temperature coefficient zero point [% of the span / 10 K]	< 0,1 (-25...90 °C) / < 0,2 (-40...-25 °C)		
Temperature coefficient span [% of the span / 10 K]	< 0,1 (-25...90 °C) / < 0,2 (-40...-25 °C)		

Reaction times

Response time [ms]	< 3
--------------------	-----

Software / programming

Parameter setting options	hysteresis / window; normally open / closed; switching logic; switch-on/switch-off delay; Damping
---------------------------	---

PV7604



Pressure switch with IO-Link

PV-010-SEN14-UFRVG/US/ /

Interfaces		
Communication interface	IO-Link	
Transmission type	COM2 (38,4 kBaud)	
IO-Link revision	1.1	
SDCI standard	IEC 61131-9	
Profiles	Smart Sensor - SSP 0	Generic Profiled Sensor
	Function	Device identification
	Function	Process data variable
	Function	Device diagnosis
SIO mode	yes	
Required master port class	A	
Process data analog	2	
Process data binary	2	
Min. process cycle time [ms]	5	
Supported DeviceIDs	Type of operation	DeviceID
	default	855
Operating conditions		
Ambient temperature [°C]	-40...90	
Storage temperature [°C]	-40...100	
Protection	IP 67; IP 69K	
Tests / approvals		
EMC	DIN EN 61326-1	
Shock resistance	DIN EN 60068-2-27	500 g (1 ms)
Vibration resistance	DIN EN 60068-2-6	20 g (10...2000 Hz)
MTTF [years]	668	
UL approval	UL approval number	J015
Pressure equipment directive	sound engineering practice; can be used for group 2 fluids; group 1 fluids on request	
Mechanical data		
Weight [g]	66	
Housing	tubular	
Dimensions [mm]	Ø 18.9 / L = 66.9	
Material	stainless steel (630/1.4542/17-4 PH); stainless steel (1.4404 / 316L); PEI	
Materials (wetted parts)	stainless steel (1.4305 / 303); stainless steel (630/1.4542/17-4 PH)	
Min. pressure cycles	60 million; (at 1.2 times nominal pressure)	
Tightening torque [Nm]	50; (recommended tightening torque; Depends on lubrication, seal and pressure rating)	
Process connection	threaded connection 1/4" NPT external thread Internal thread:M5	
Restrictor element integrated	yes	
Remarks		
Remarks	BFSL = Best Fit Straight Line	
	LS = limit value setting	
Pack quantity	1 pcs.	

PV7604



Pressure switch with IO-Link

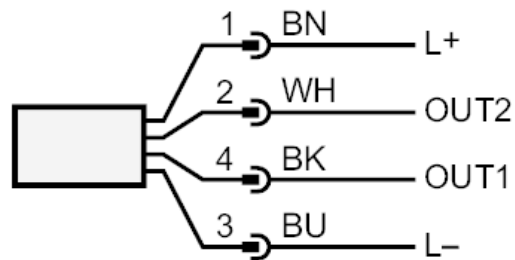
PV-010-SEN14-UFRVG/US/ /

Electrical connection

Connector: 1 x M12; coding: A; Contacts: 4



Connection



OUT1	Switching output IO-Link
OUT2	Switching output Colors to DIN EN 60947-5-2 Core colors :
BK =	black
BN =	brown
BU =	blue
WH =	white