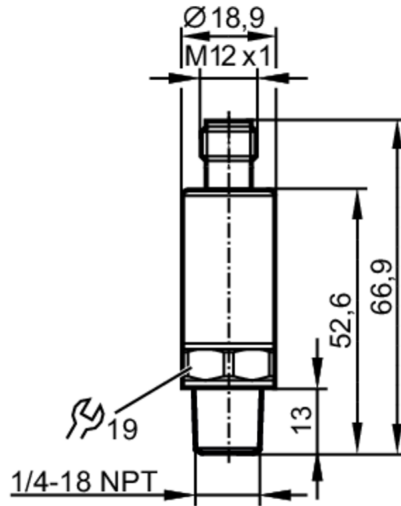


PT2434



Pressure transmitter

PT-030PSEN14-A-ZVG/US/ IW



Product characteristics

Number of inputs and outputs	Number of analog outputs: 1	
Measuring range	0...300 psi	0...2000 kPa
Process connection	threaded connection 1/4" NPT external thread	

Application

Application	for industrial applications	
Media	liquids and gases	
Medium temperature [°C]	-40...90	
Min. burst pressure	8700 psi	60 MPa
Pressure rating	940 psi	6.5 MPa
Note on pressure rating	static	
Vacuum resistance	-14.5 psi	-0.1 MPa
Type of pressure	relative pressure	
MAWP (for applications according to CRN) [psi]	940	

Electrical data

Operating voltage [V]	8.5...36 DC	
Min. insulation resistance [MΩ]	100; (500 V DC)	
Protection class	III	
Reverse polarity protection	yes	
Power-on delay time [s]	< 0.1	

Inputs / outputs

Number of inputs and outputs	Number of analog outputs: 1	
------------------------------	-----------------------------	--

Outputs

Total number of outputs	1	
Output signal	analog signal	
Number of analog outputs	1	

PT2434



Pressure transmitter

PT-030PSEN14-A-ZVG/US/ IW

Analog current output	[mA]	4...20
Max. load	[Ω]	($U_b - 8,5 \text{ V}$) / 21,5 mA; @8,5V= 0 Ω; @12V max. 160 Ω; @24V max. 720 Ω
Short-circuit proof		yes
Overload protection		yes
Measuring/setting range		
Measuring range	0...300 psi	0...2000 kPa
Accuracy / deviations		
Repeatability	[% of the span]	< ± 0,05; (with temperature fluctuations < 10 K)
Characteristics deviation	[% of the span]	< ± 0,5; (incl. drift when overtightened, zero point and span error, non-linearity, hysteresis)
Linearity deviation	[% of the span]	< ± 0,1 (BFSL) / < ± 0,2 (LS)
Hysteresis deviation	[% of the span]	< ± 0,2
Long-term stability	[% of the span]	< ± 0,1; (per 6 months)
Temperature coefficient zero point and span	[% of the span / 10 K]	< 0,1 (-25...90 °C) / < 0,2 (-40...-25 °C)
Reaction times		
Step response time analog output	[ms]	1
Operating conditions		
Ambient temperature	[°C]	-40...90
Storage temperature	[°C]	-40...100
Protection		IP 67; IP 69K
Tests / approvals		
EMC	DIN EN 61000-6-2	
	DIN EN 61000-6-3	
Shock resistance	DIN EN 60068-2-27	50 g (11 ms)
Vibration resistance	DIN EN 60068-2-6	20 g (10...2000 Hz)
MTTF	[years]	784
Pressure equipment directive		sound engineering practice; can be used for group 2 fluids; group 1 fluids on request
Mechanical data		
Weight	[g]	58
Housing		tubular
Dimensions	[mm]	Ø 18.9 / L = 66.9
Material		stainless steel (630/1.4542/17-4 PH); stainless steel (1.4404 / 316L); PEI
Materials (wetted parts)		stainless steel (630/1.4542/17-4 PH)
Min. pressure cycles		60 million; (at 1.2 times nominal pressure)
Tightening torque	[Nm]	< 50; (recommended tightening torque; Depends on lubrication, seal and pressure rating)
Process connection		threaded connection 1/4" NPT external thread
Restrictor element integrated		no (can be retrofitted)

PT2434



Pressure transmitter

PT-030PSEN14-A-ZVG/US/ IW

Remarks

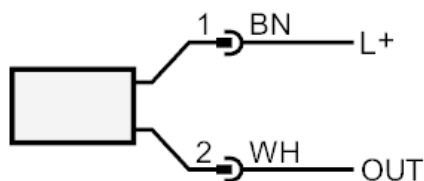
Remarks	BFSL = Best Fit Straight Line LS = limit value setting
Pack quantity	1 pcs.

Electrical connection

Connector: 1 x M12; coding: A



Connection



OUT analog output
 Colors to DIN EN 60947-5-2
 Core colors :
BN = brown
WH = white